

Specifications

Current rating: 1A AC,DC

Voltage rating: 125V AC,DC

Temperature range: -25°C to +85°C
(including temperature rise)

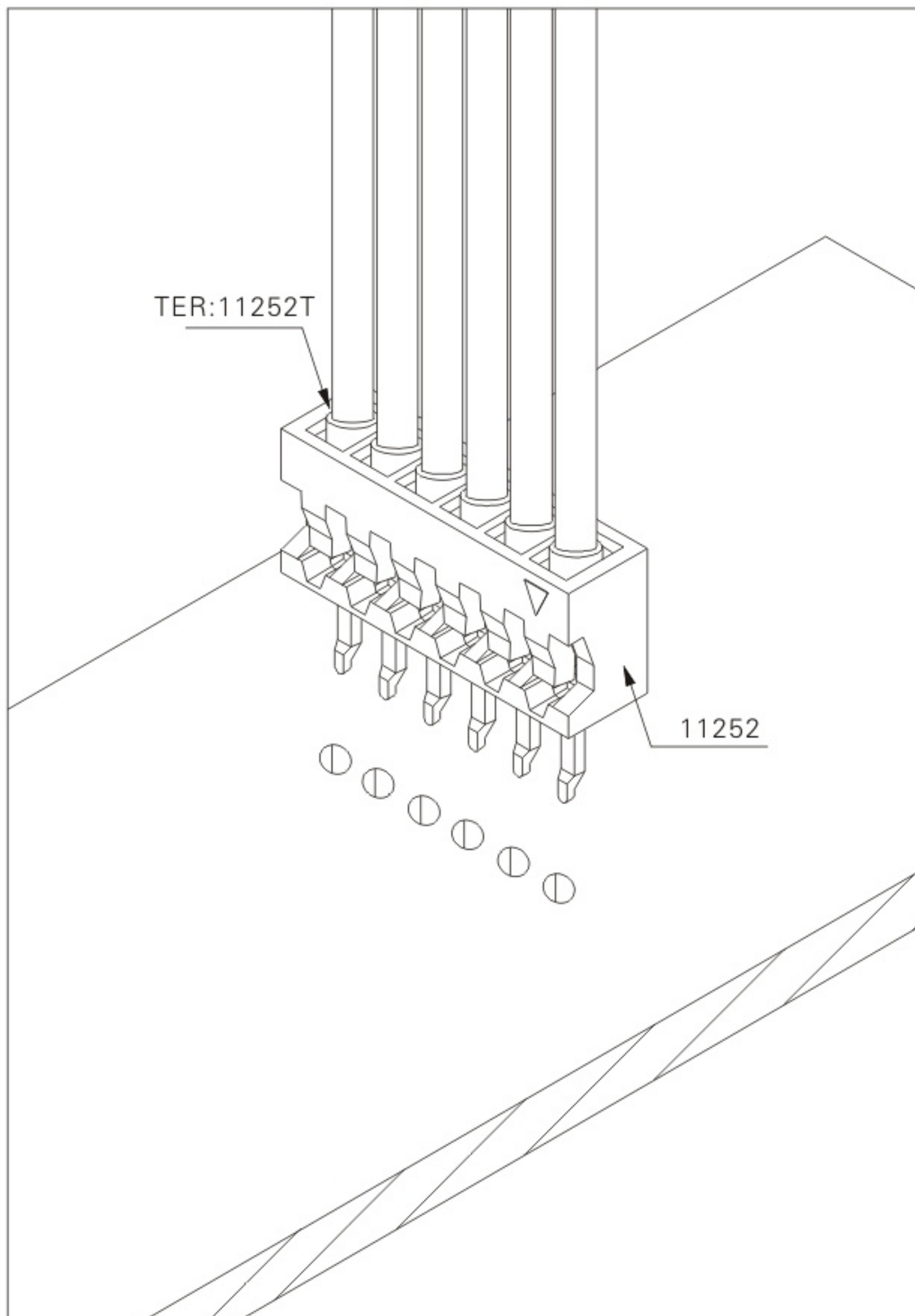
Contact resistance: Initial value/ 20m Ω Max.

After environmental testing/20m Ω Max.

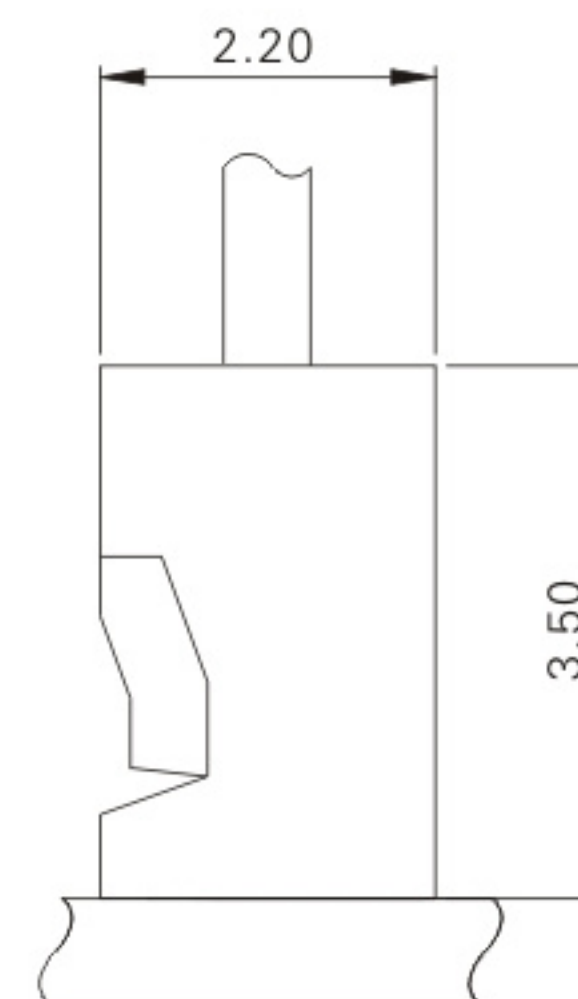
Insulation resistance: 100M Ω Min.

Withstanding voltage: 500V AC/minute

Applicable wire: AWG#28-#32



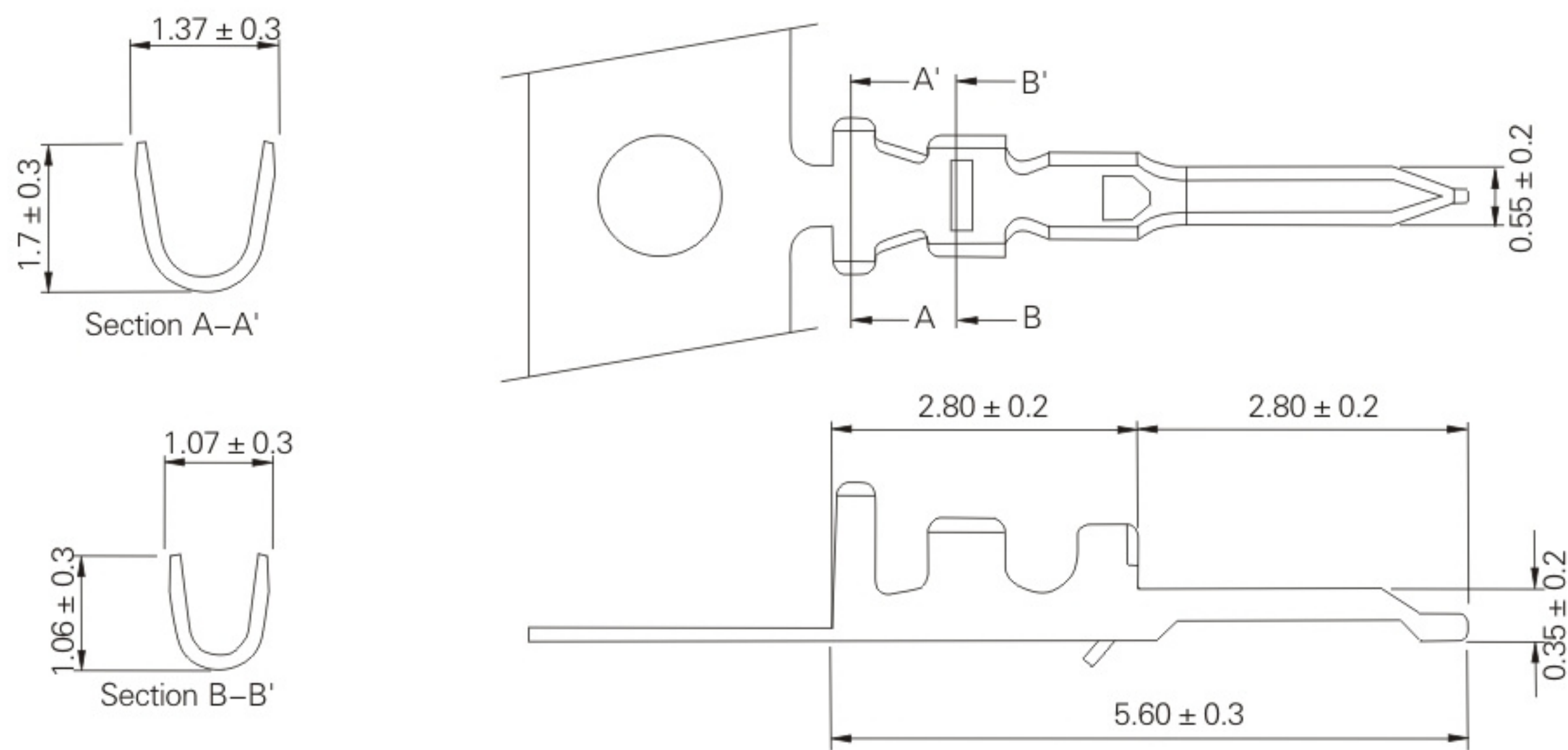
Assembly layout



1252-T (1.25mm pitch board in terminal)

Reference Informations:

- *Thickness: 0.15mm
- *Mat'l: Phosphor Bronze Tin Plated
- *Wire Range: AWG#28-#32
- *Mates With: 11252H series Housing



Ordering Information & Specifications

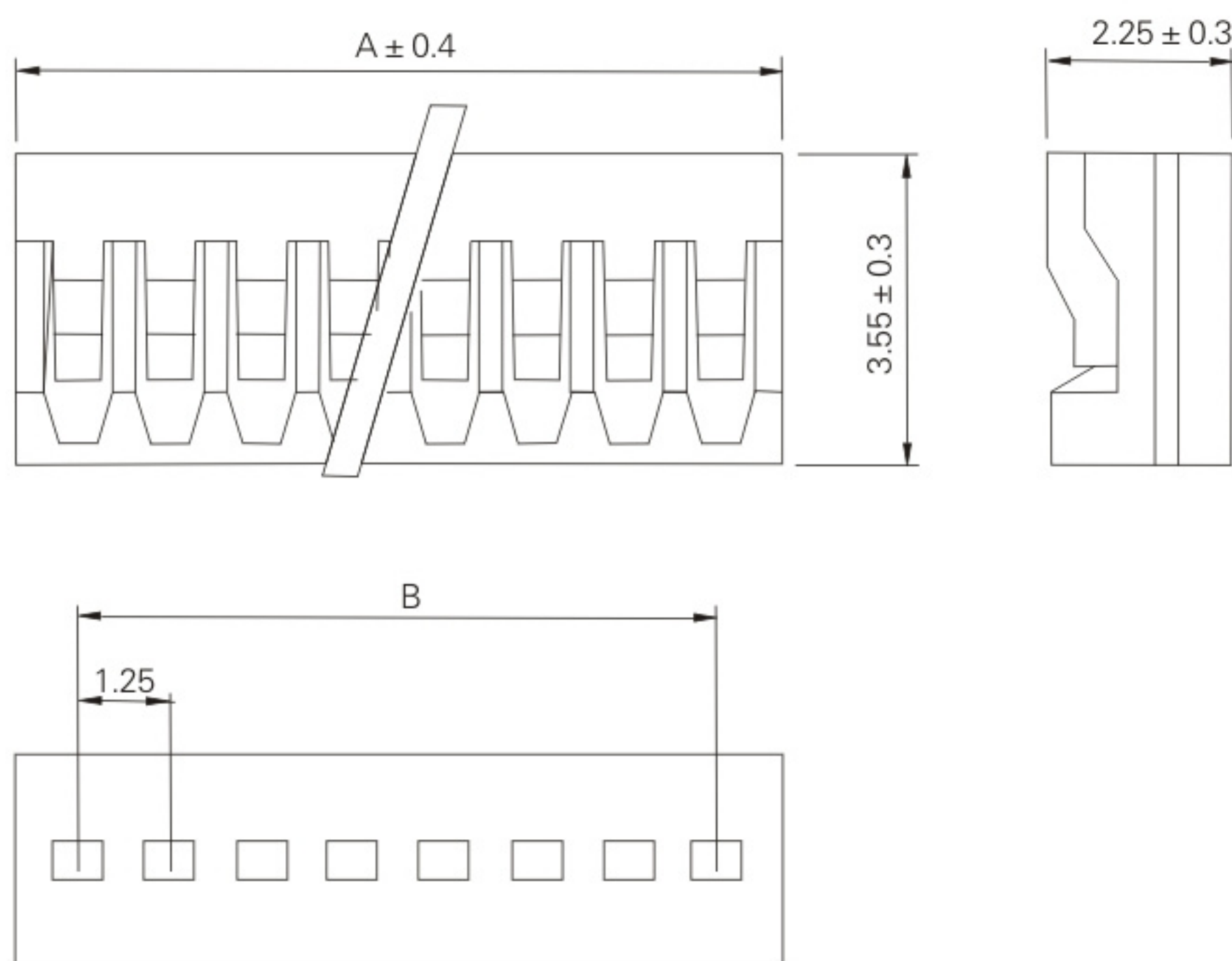
Unit: mm

Part No.	Wire Range	Insulation O.D.	Material	Finish	Qty/reel
1252P	AWG#28-#32		Phosphor Bronze	Tin-plated	15000

1252H-NP (1.25mm pitch board in housing)

Reference Informations:

- *Mat'l: Nylon 66 UL 94V-0
- *Mates With: 11252 series Terminal



Ordering Information & Dimensions

Circuits	Part No.	DIM.(mm)	
		A	B
02	1252H-02	3.05	1.25
03	1252H-03	4.30	2.50
04	1252H-04	5.55	3.75
05	1252H-05	6.80	5.00
06	1252H-06	8.05	6.25
07	1252H-07	9.30	7.50
08	1252H-08	10.55	8.75
09	1252H-09	11.80	10.00
10	1252H-10	13.05	11.25
11	1252H-11	14.30	12.50
12	1252H-12	15.55	13.75
13	1252H-13	16.80	15.00
14	1252H-14	18.05	16.25
15	1252H-15	19.30	17.50