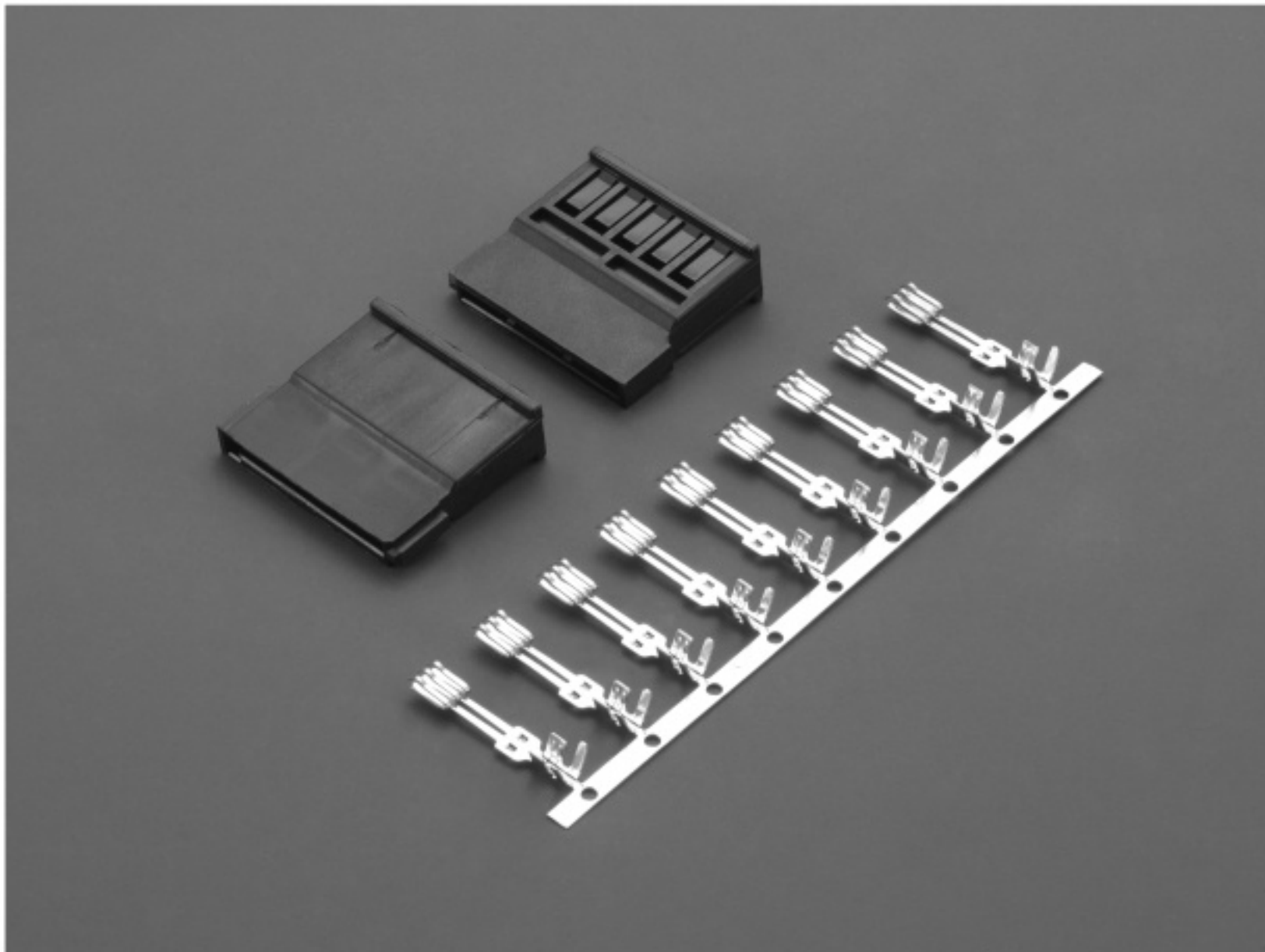


1270H SERIES

SATA 1.27mm PITCH WIRE TO BOARD CONNECTOR



Specifications

Current rating: 1.5A AC ,DC

Voltage rating: 30V AV,DC

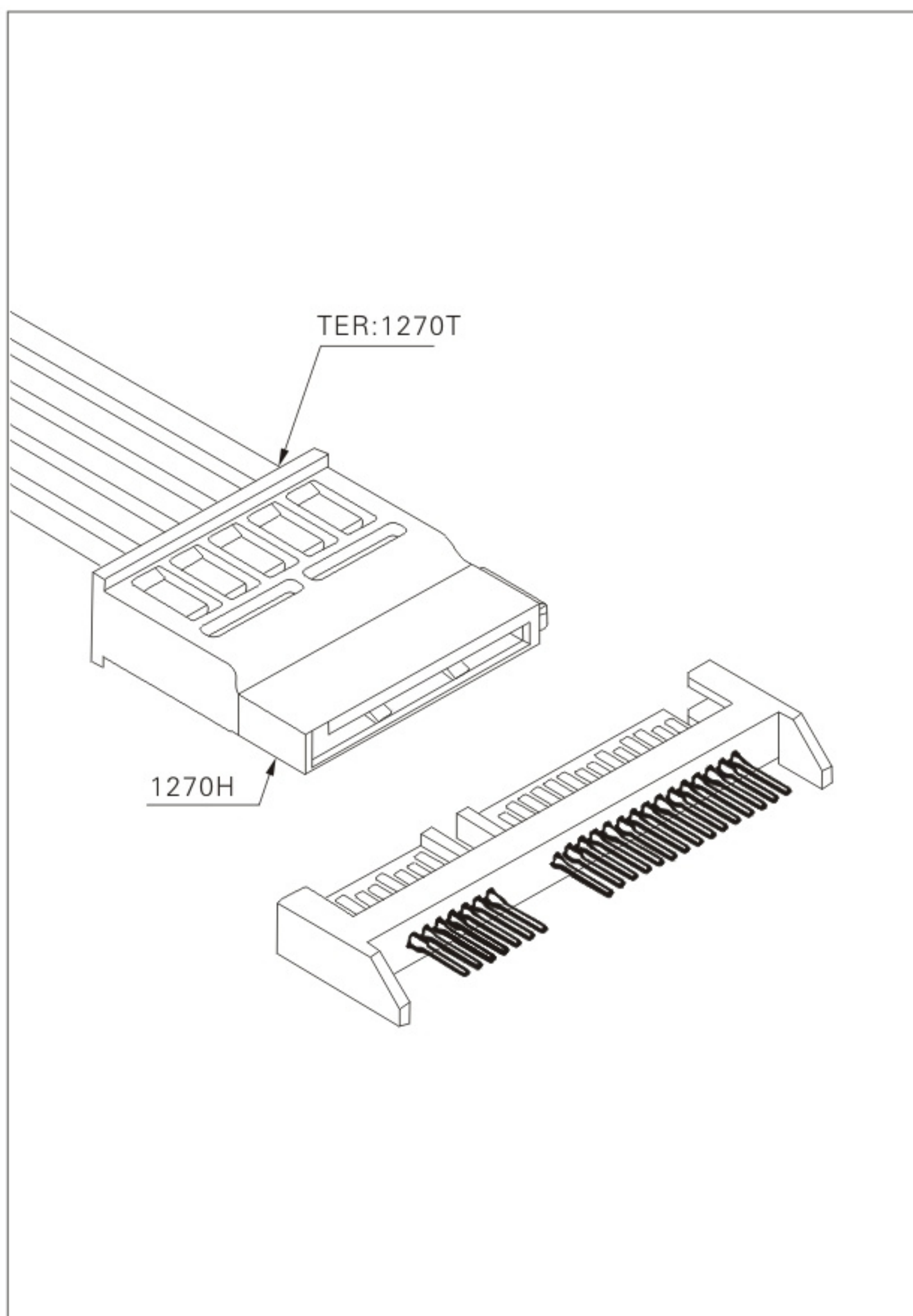
Temperature range: -25°C~+85°C

Contact resistance: 20mΩ Max.

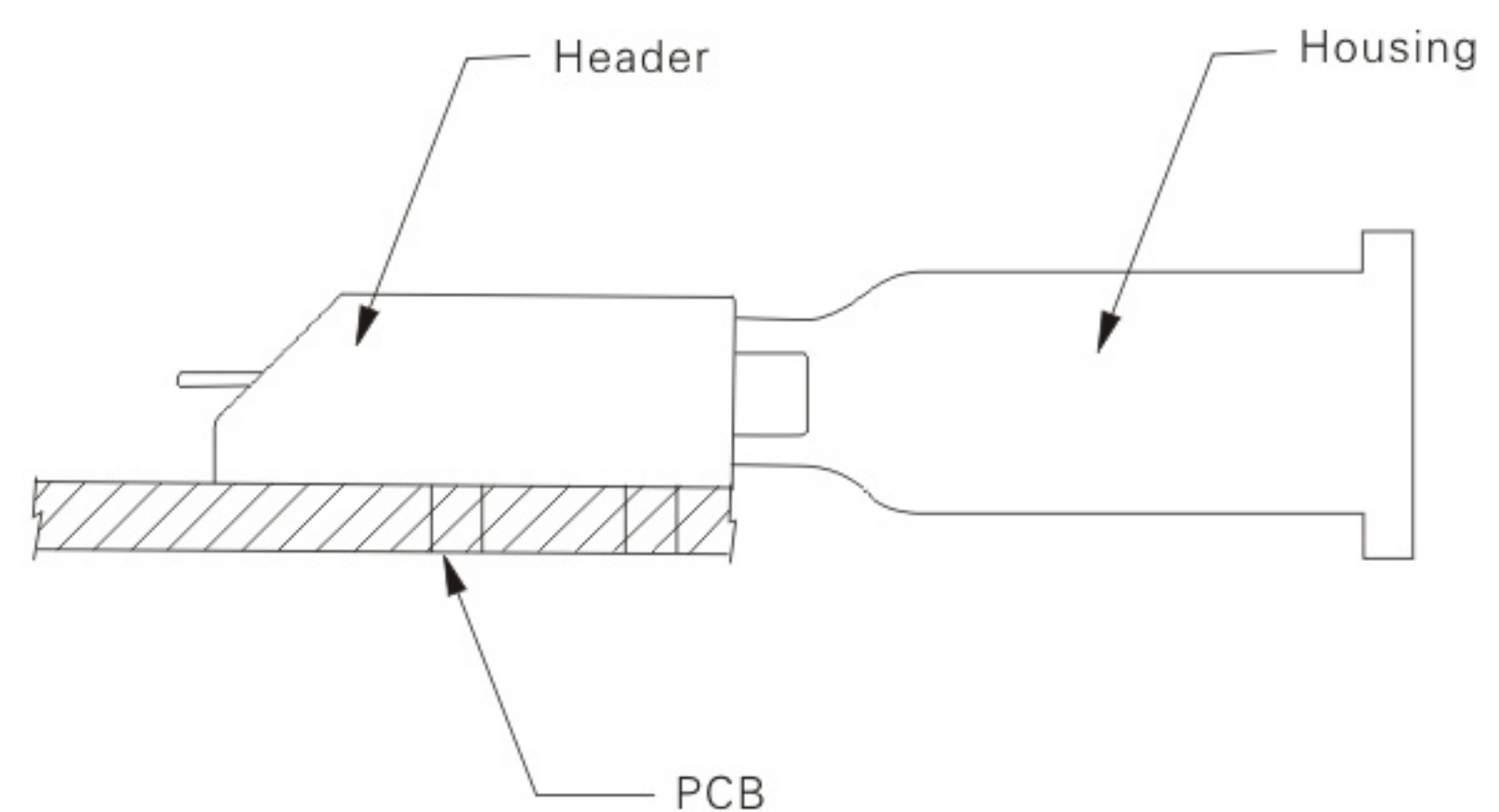
Insulation resistance: 1000MΩ Min

Withstanding voltage: 500V AC/minute

Applicable wire: AWG#18-#22



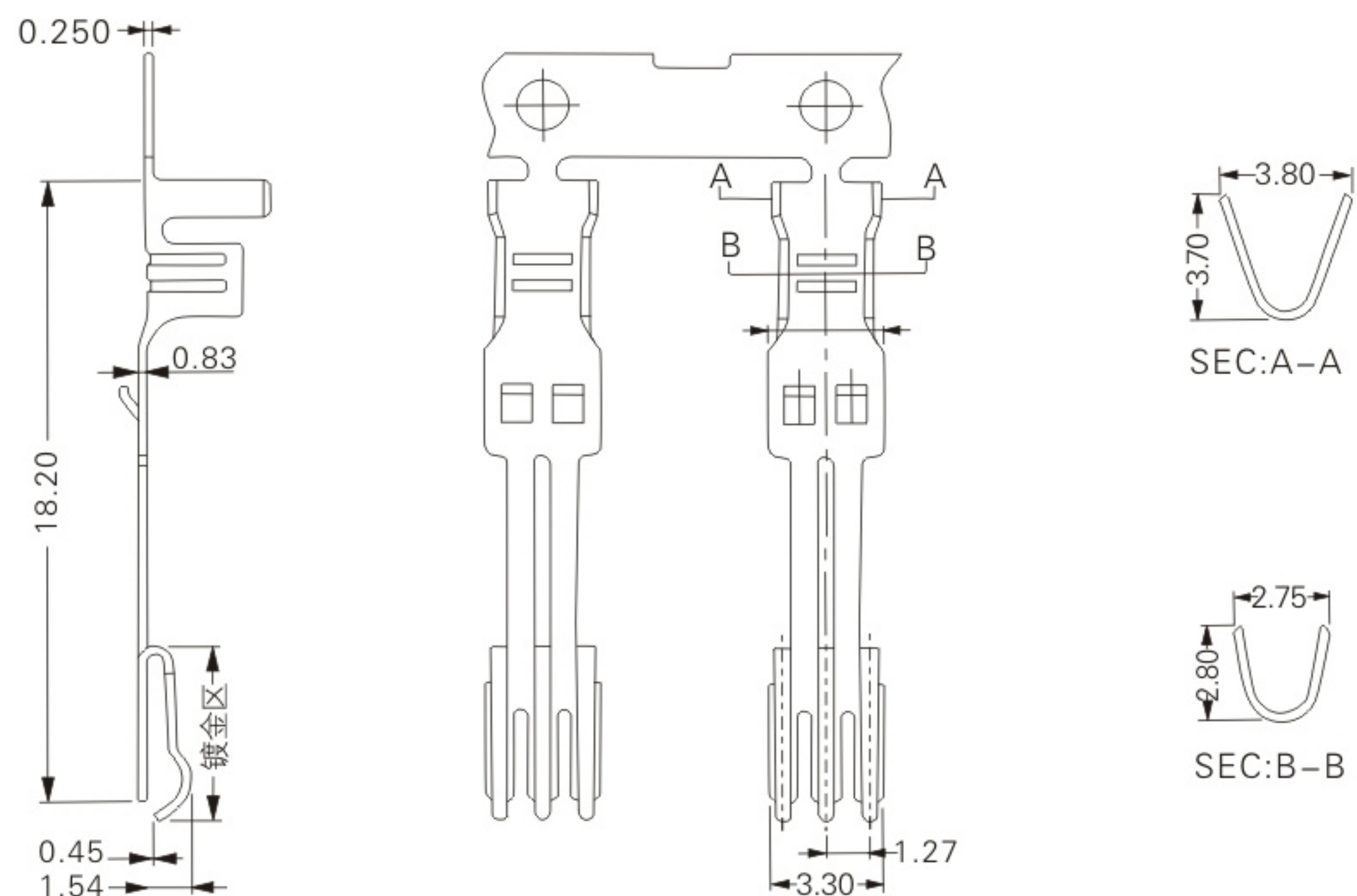
Assembly layout



1270-T (1.27mm pitch crimp terminal)

Reference Informations:

*Used in 1270H series Housing



Ordering Information & Specifications

Unit: mm

Part No.	Wire Range	Insulation O.D.	Material	Finish	Qty/reel
1270P-00	AWG#18-#22	2.10mm(max)	Phosphor Bronze	Gold-plated	5,000pcs

1270H-05P (1.27mm pitch crimp housing)

Reference Informations:

*Material: PBT,UL94V-0

*Suitable 1270-T series Terminal

