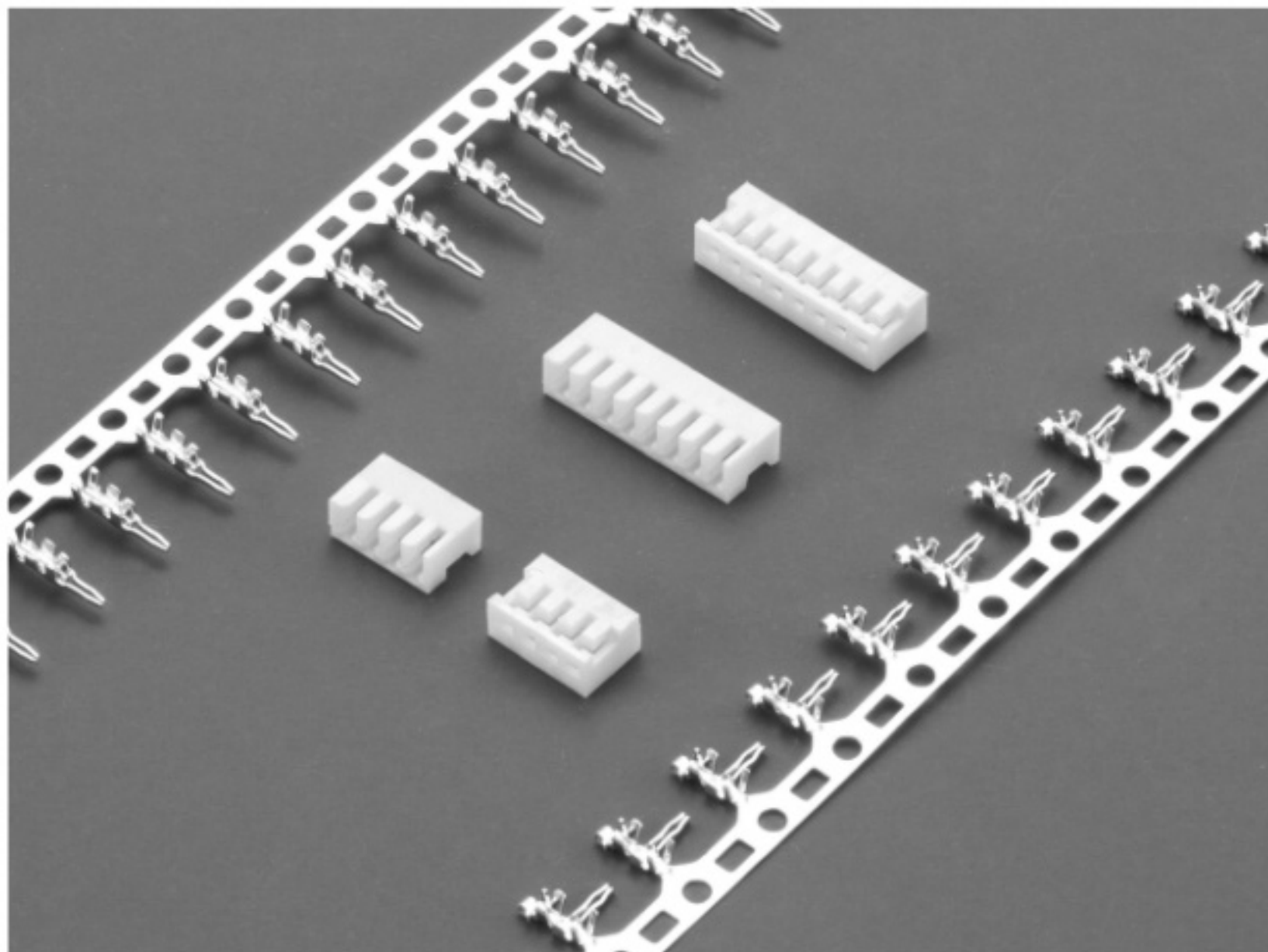


1502H SERIES

1.50mm PITCH BOARD IN CONNECTOR



Specifications

Current rating: 1A AC,DC

Voltage rating: 200V AC,DC

Temperature range: -25°C to +85°C
(including temperature rise)

Contact resistance: Initial value/20mΩ Max.

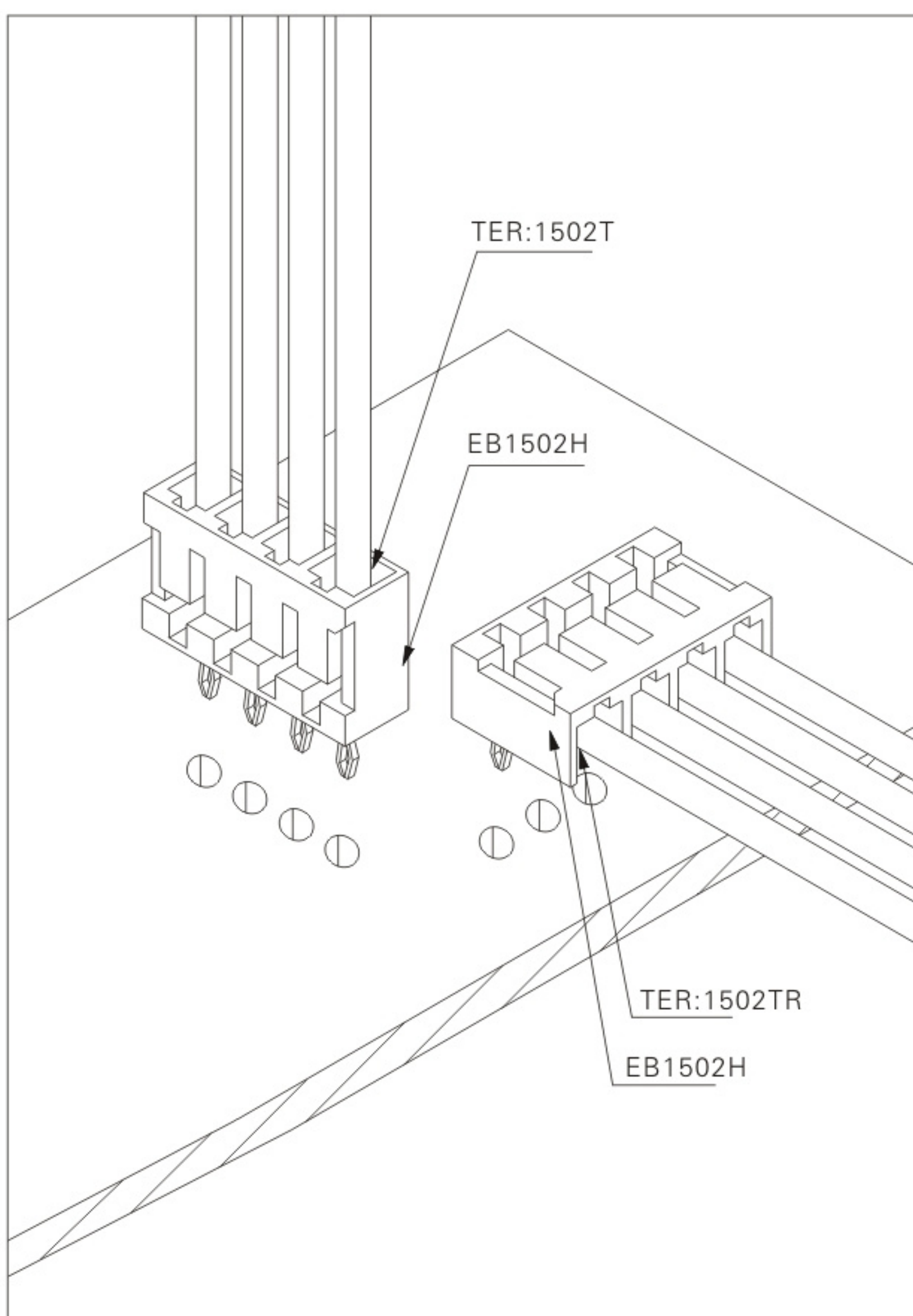
After environmental testing/20mΩ Max.

Insulation resistance: 500MΩ Min.

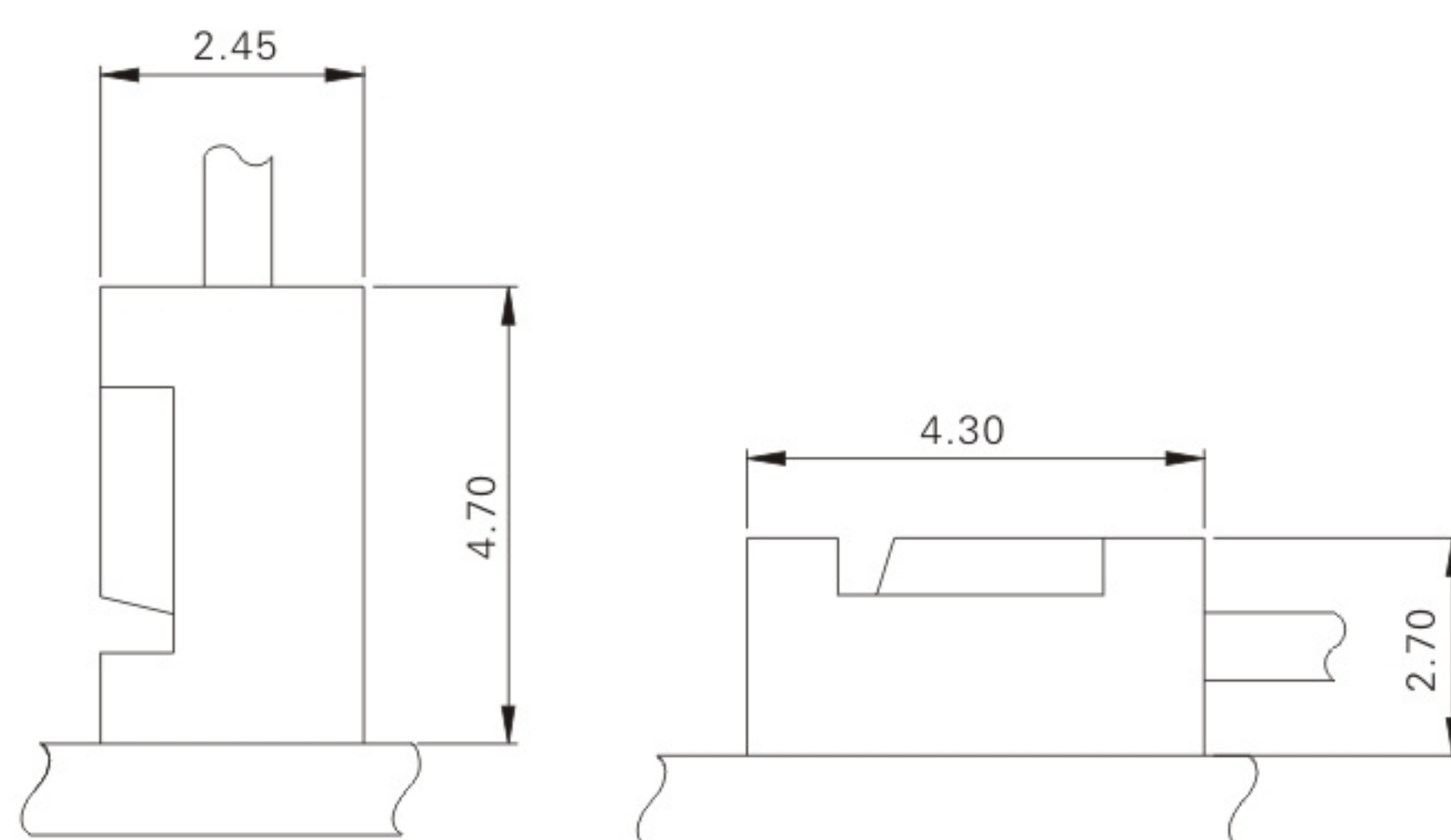
Withstanding voltage: 500V AC/minute

Applicable wire: 150H: AWG#26-#30

1502R: AWG#28-#30



Assembly layout

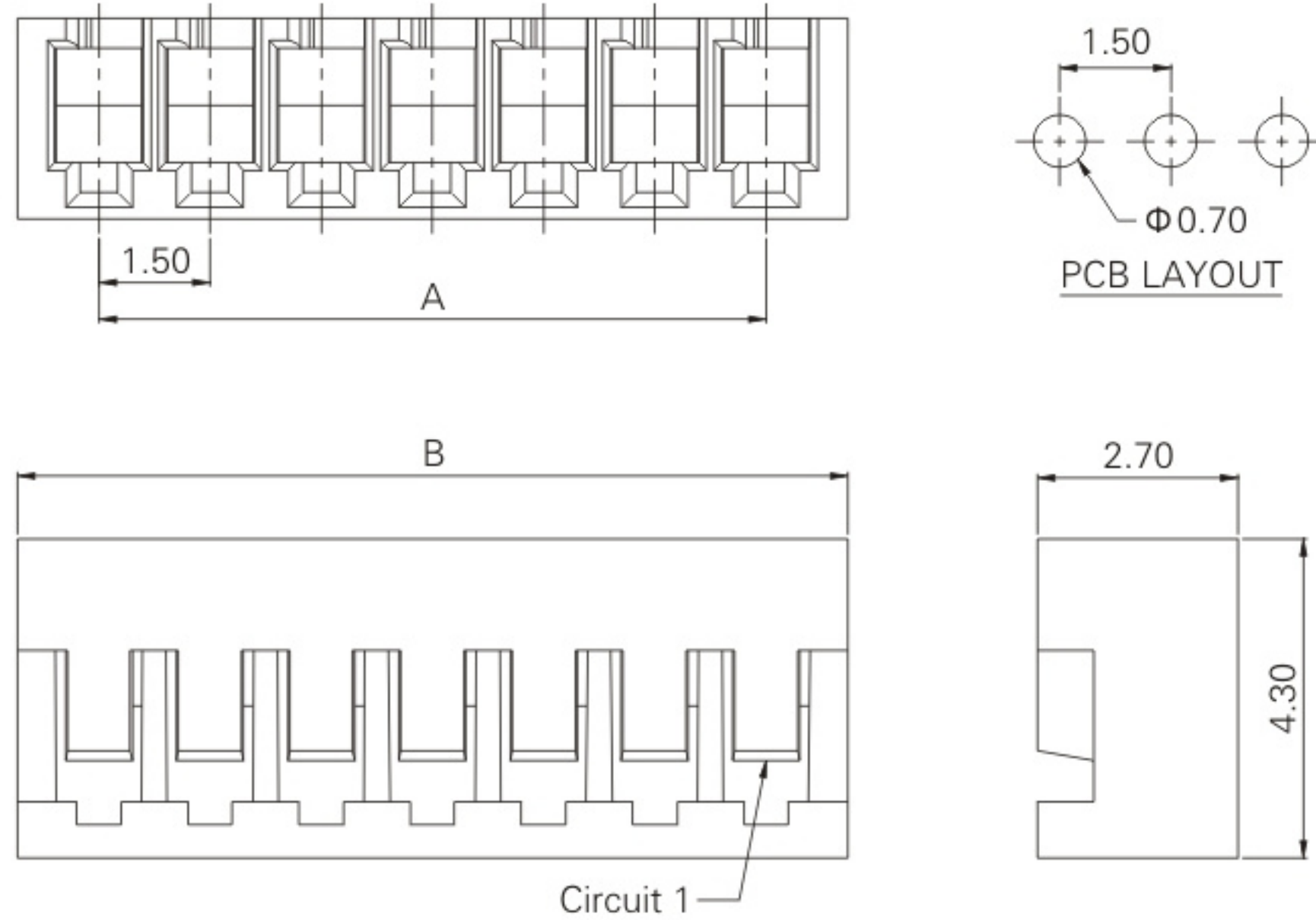


1502H (1.50mm pitch 180° board in housing)

Reference Informations:

*Material: Housing: PA66 UL94V-0/Natural

*Suitable 1502H series Terminal



Ordering Information & Dimensions

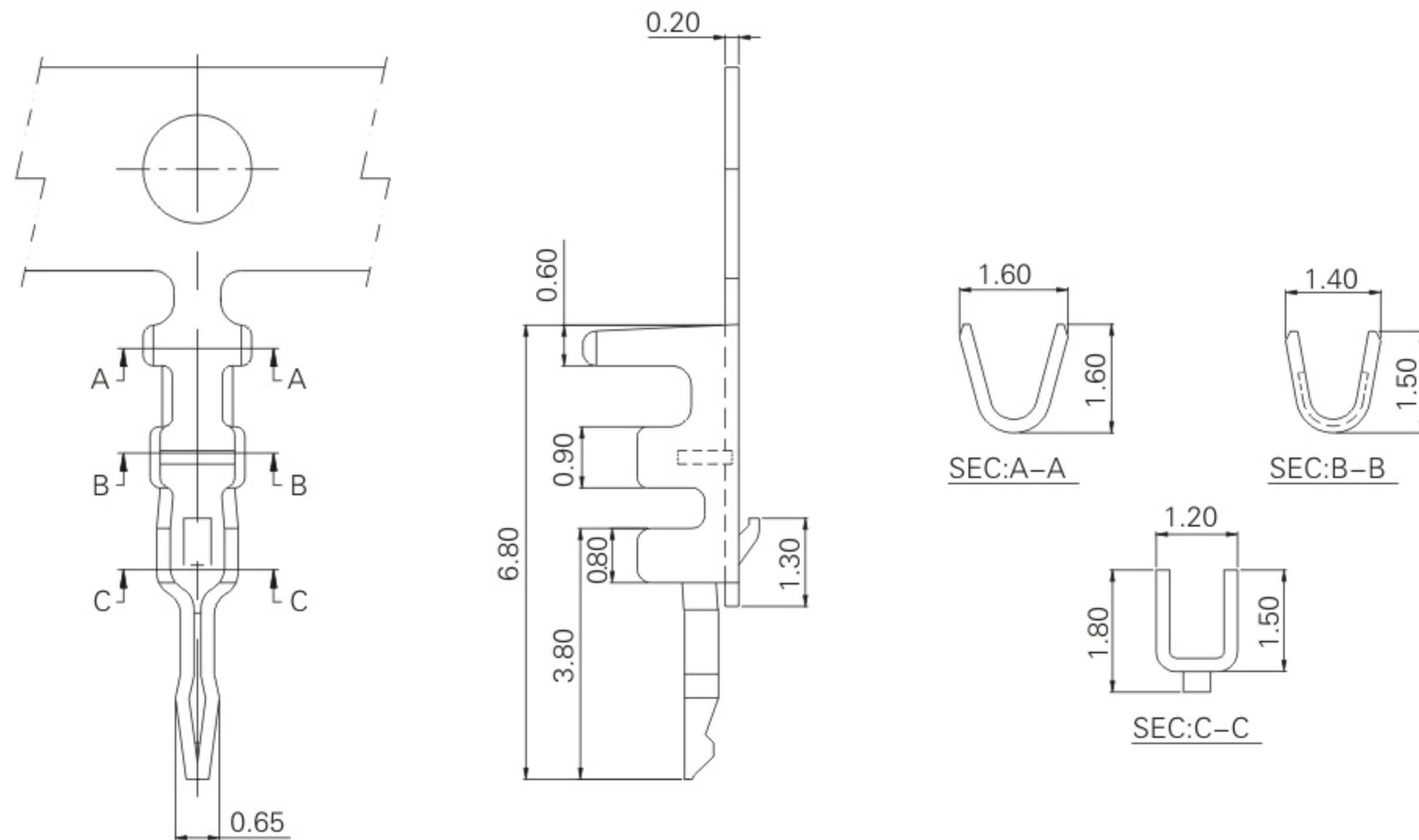
Circuits	Part No.	DIM.(mm)	
		A	B
02	1502H-02P	1.50	3.70
03	1502H-03P	3.00	5.20
04	1502H-04P	4.50	6.70
05	1502H-05P	6.00	8.20
06	1502H-06P	7.50	9.70
07	1502H-07P	9.00	11.20
08	1502H-08P	10.50	12.70
09	1502H-09P	12.00	14.20
10	1502H-10P	13.50	15.70
11	1502H-11P	15.00	17.20
12	1502H-12P	16.50	18.70
13	1502H-13P	18.00	20.20
14	1502H-14P	18.50	21.70
15	1502H-15P	21.00	23.20

1502-T (1.50mm pitch 180° board in terminal)

Reference Informations:

*Material: Phosphor Bronze/Tin-plated

*Mates with 1502T series Housing



Ordering Information & Specifications

Unit: mm

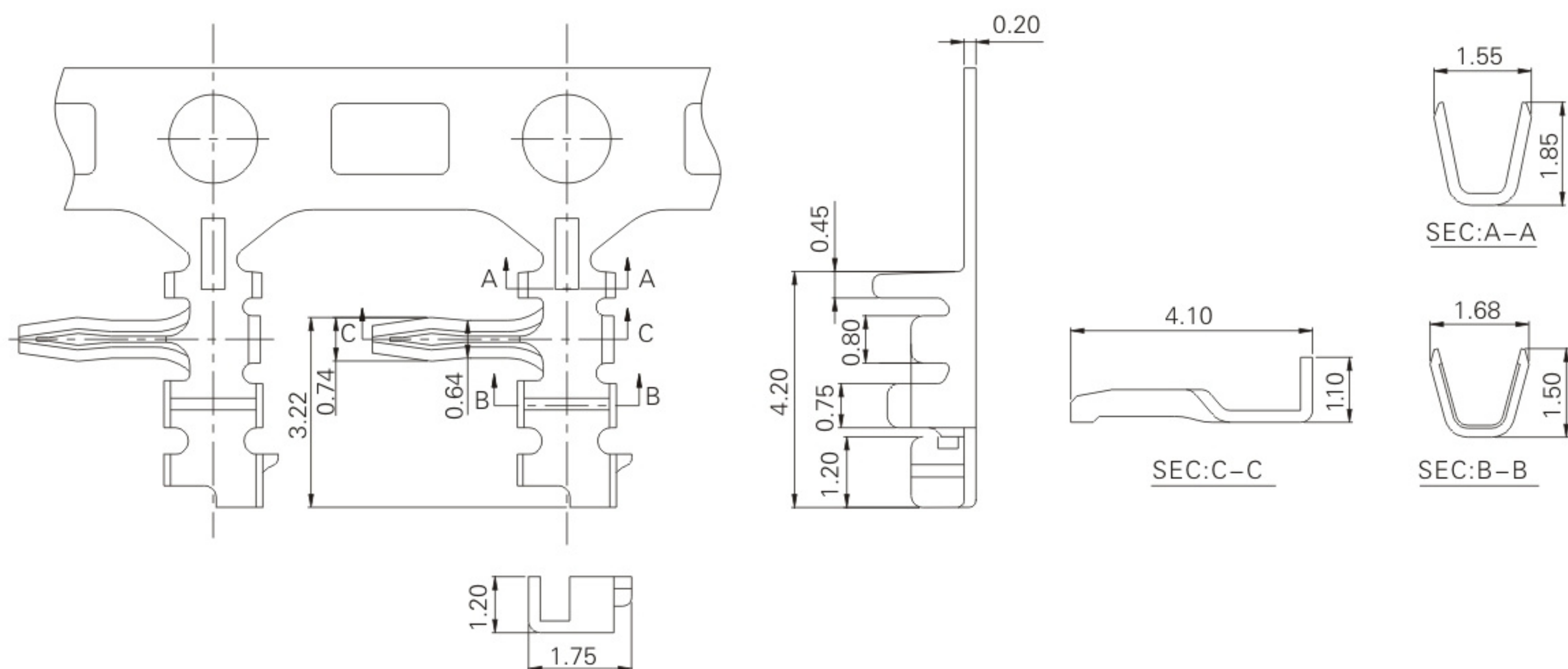
Part No.	Wire Range	Insulation O.D.	Material	Finish	Qty/reel
1502T	AWG#26-#30	1.00mm(max)	Phosphor Bronze	Tin-plated	10,000pcs

1502TR (1.50mm pitch 90° board in terminal)

Reference Informations:

*Material: Brass/Tin-plated

*Mates with 1502TR series Housing



Ordering Information & Specifications

Unit: mm

Part No.	Wire Range	Insulation O.D.	Material	Finish	Qty/reel
1502TR	AWG#28-#30	1.00mm(max)	Brass	Tin-plated	10,000pcs