

Specifications

Current Rating: 1A AC,DC

Voltage Rating: 250V AC,DC

Temperature Range: -25°C~+85°C

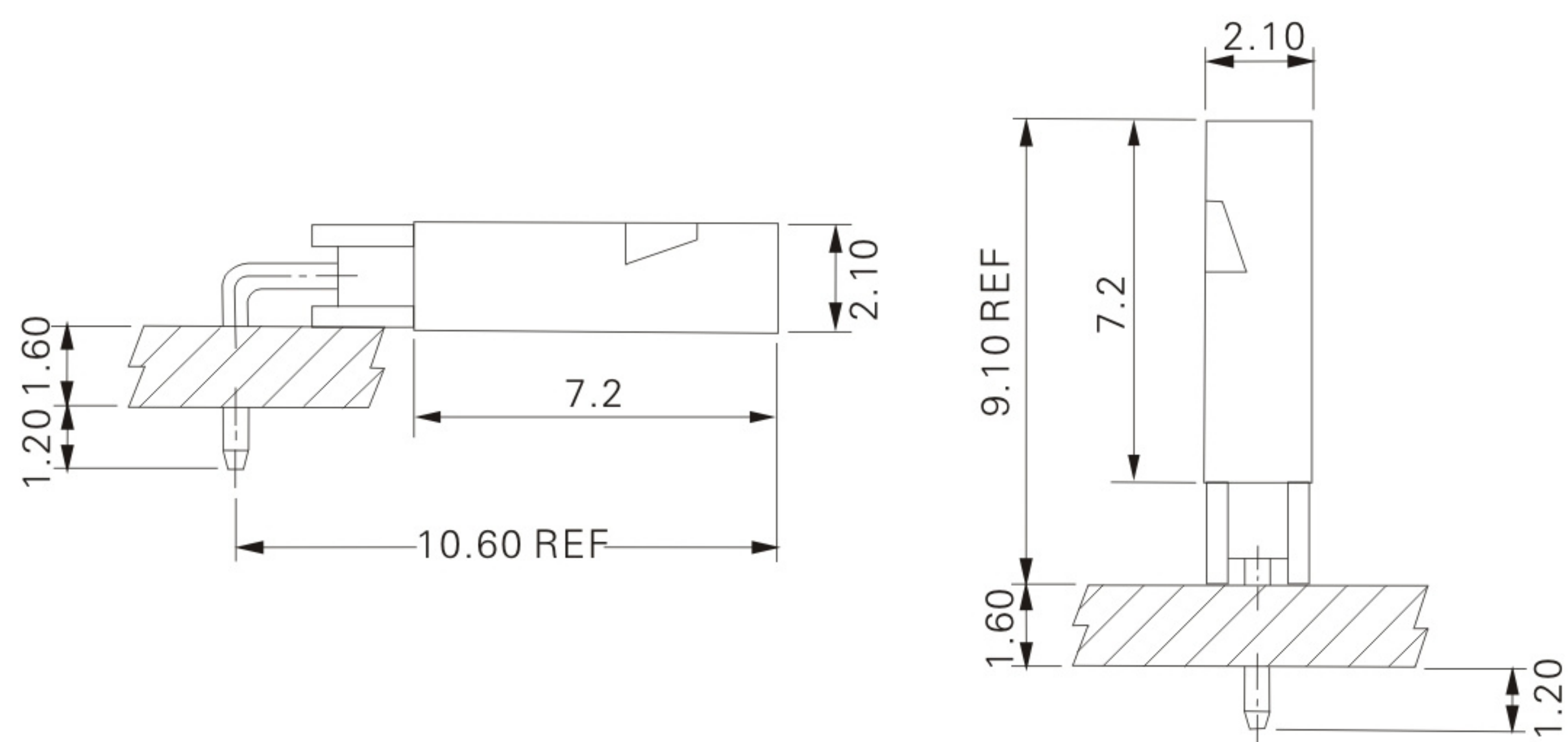
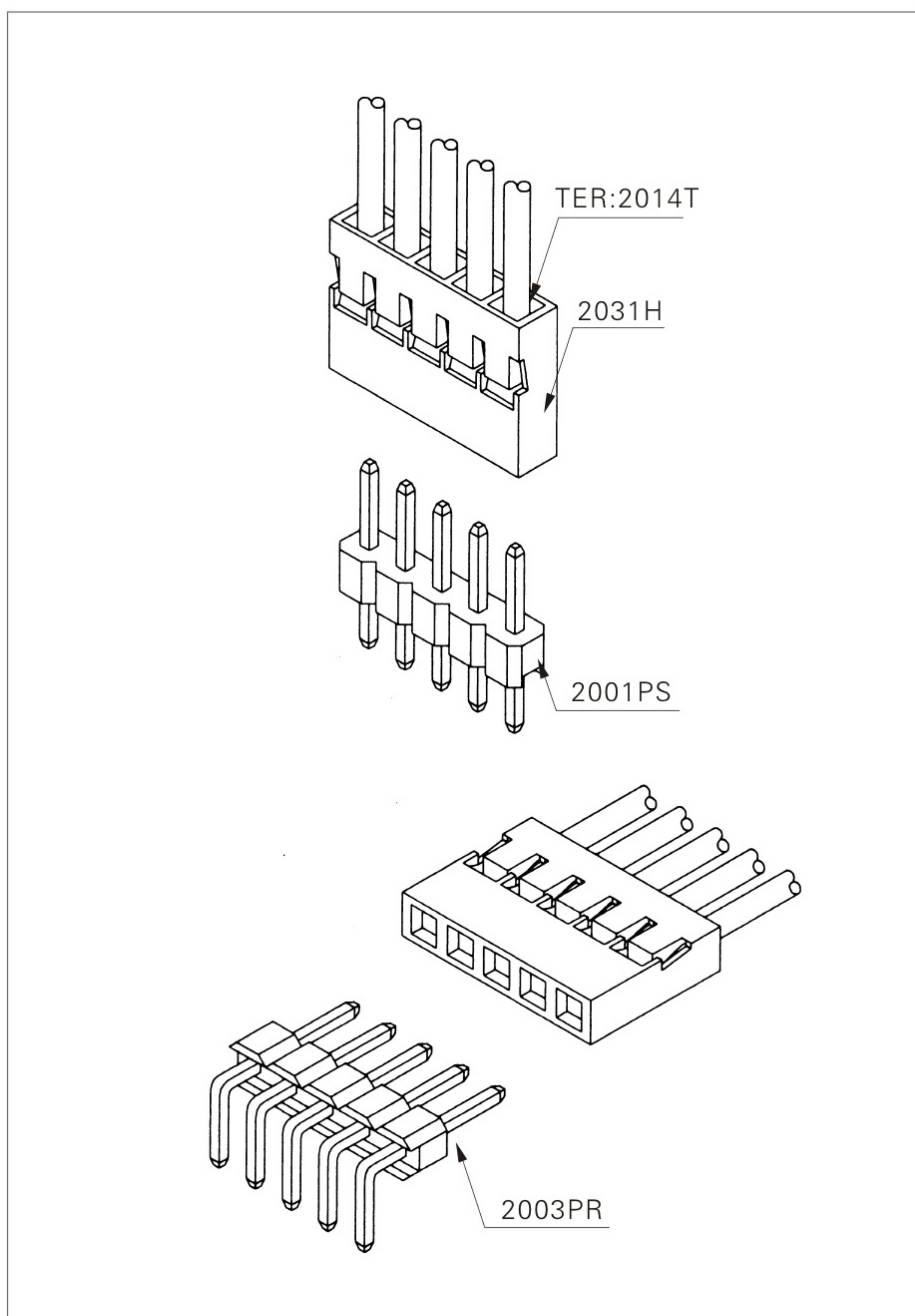
Contact Resistance: 20mΩ Max.

Insulation Resistance: 1000MΩ Min.

Withstanding Voltage: 1000V AC/minute

Applicable wire: AWG#26-#30

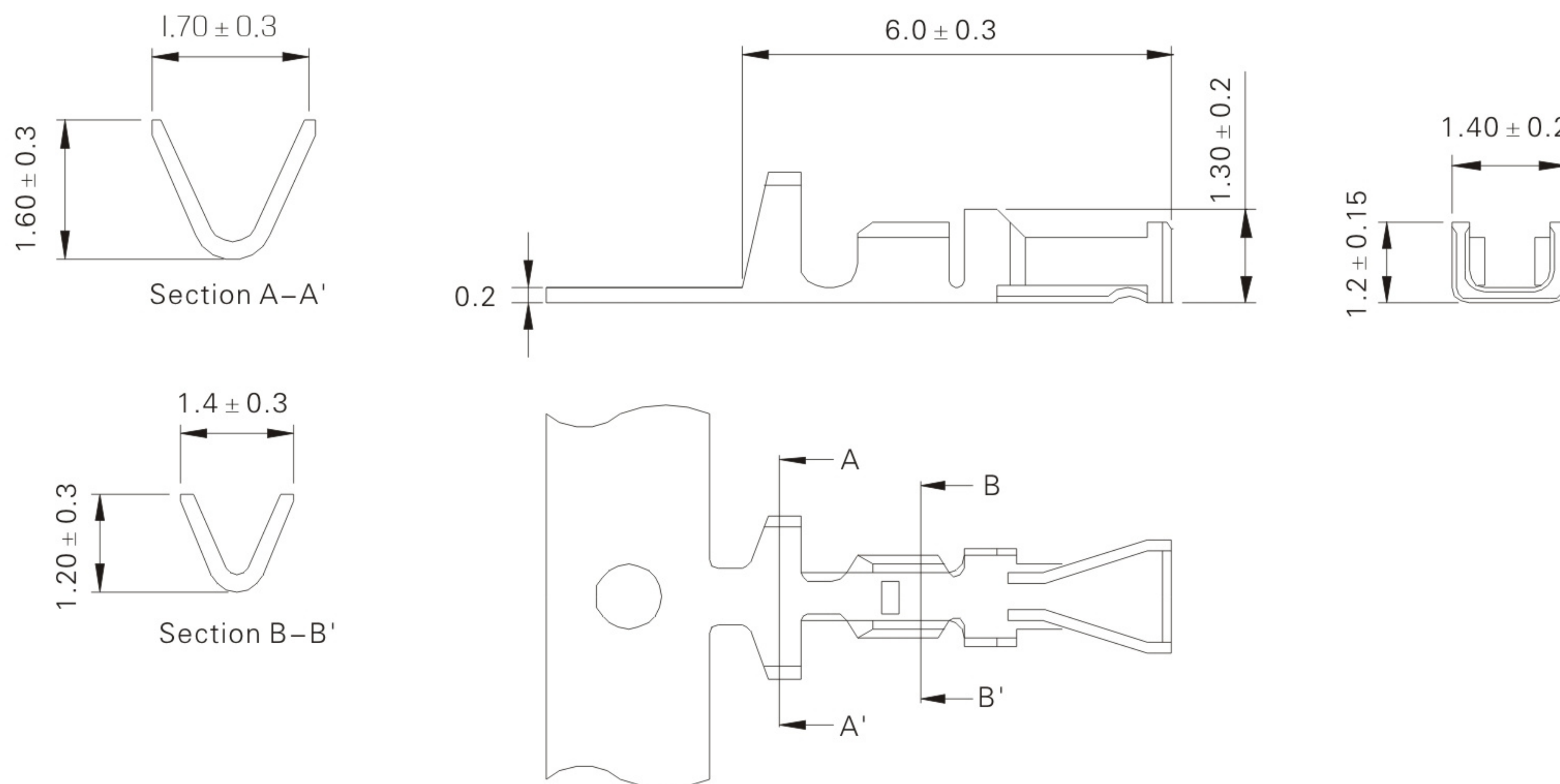
Assembly layout



2014-T (2.00mm pitch crimp terminal)

Reference Informations:

*Used in 2031H/2032H series Housing



Ordering Information & Specifications

Unit: mm

Part No.	Wire Range	Insulation O.D.	Material	Finish	Qty/reel
2014P-00	AWG#26-#30	1.40mm(max)	Phosphor Bronze	Gold-flash	20,000pcs
2014T-00			Brass		

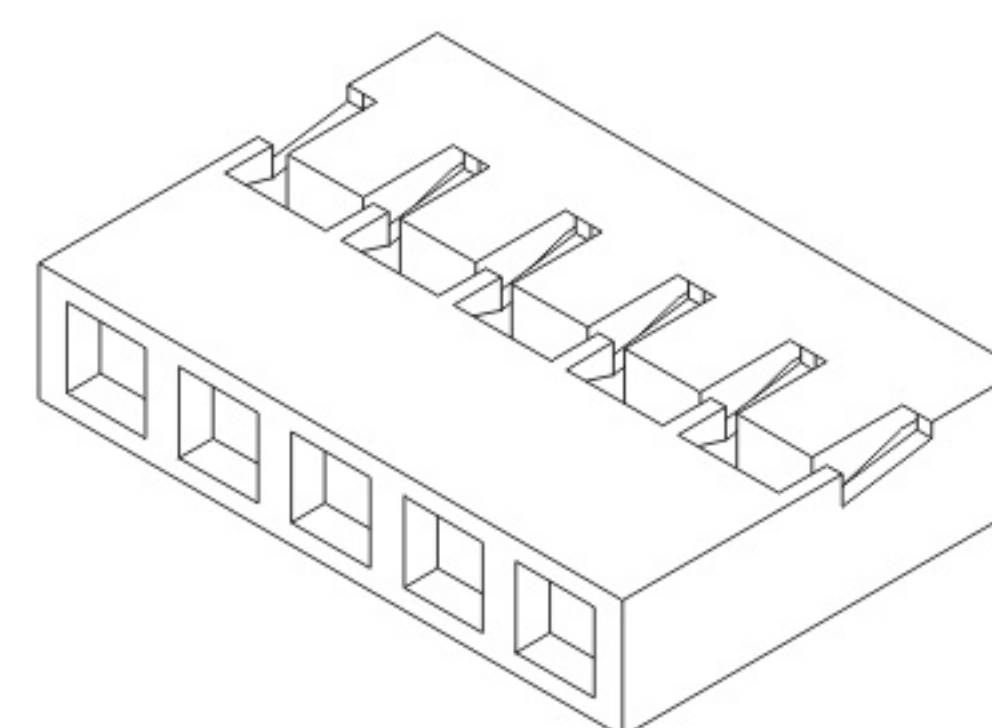
2031H-NP (2.00mm pitch single row housing)

Reference Informations:

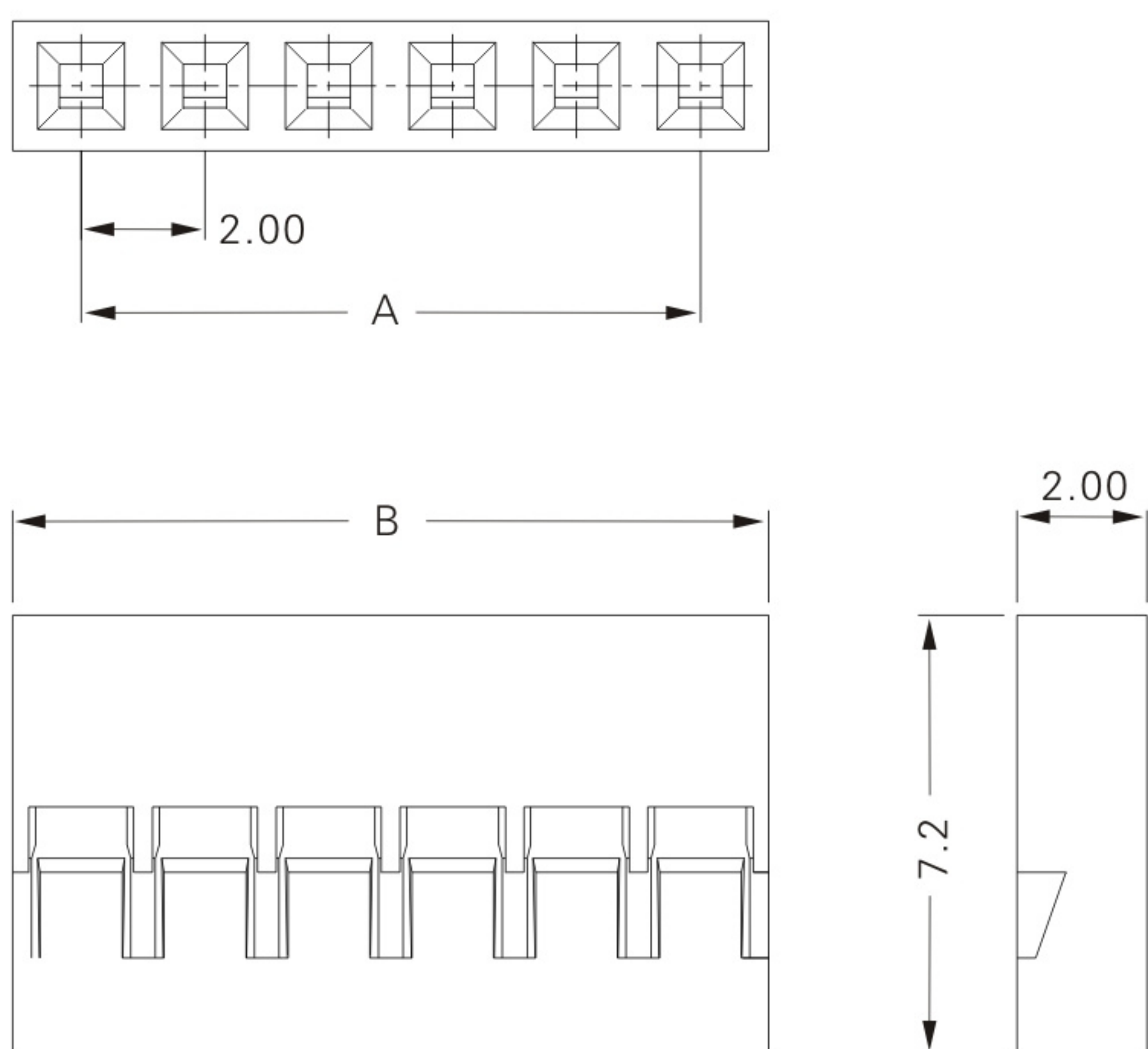
*Material:PBTUL94V-0

*Suitable 2014-T series Terminal

*Mates with 2001 & 2003 series single row Pin Header



Ordering Information & Dimensions



Circuits	Part No.	DIM.(mm)		Circuits	Part No.	DIM.(mm)	
		A	B			A	B
02	2031H-02P	2.00	4.30	22	2031H-22P	42.00	44.30
03	2031H-03P	4.00	6.30	23	2031H-23P	44.00	46.30
04	2031H-04P	6.00	8.30	24	2031H-24P	46.00	48.30
05	2031H-05P	8.00	10.30	25	2031H-25P	48.00	50.30
06	2031H-06P	10.00	12.30	26	2031H-26P	50.00	52.30
07	2031H-07P	12.00	14.30	27	2031H-27P	52.00	54.30
08	2031H-08P	14.00	16.30	28	2031H-28P	54.00	56.30
09	2031H-09P	16.00	18.30	29	2031H-29P	56.00	58.30
10	2031H-10P	18.00	20.30	30	2031H-30P	58.00	60.30
11	2031H-11P	20.00	22.30	31	2031H-31P	60.00	62.30
12	2031H-12P	22.00	24.30	32	2031H-32P	62.00	64.30
13	2031H-13P	24.00	26.30	33	2031H-33P	64.00	66.30
14	2031H-14P	26.00	28.30	34	2031H-34P	66.00	68.30
15	2031H-15P	28.00	30.30	35	2031H-35P	68.00	70.30
16	2031H-16P	30.00	32.30	36	2031H-36P	70.00	72.30
17	2031H-17P	32.00	34.30	37	2031H-37P	72.00	74.30
18	2031H-18P	34.00	36.30	38	2031H-38P	74.00	76.30
19	2031H-19P	36.00	38.30	39	2031H-39P	76.00	78.30
20	2031H-20P	38.00	40.30	40	2031H-40P	78.00	80.30
21	2031H-21P	40.00	42.30				

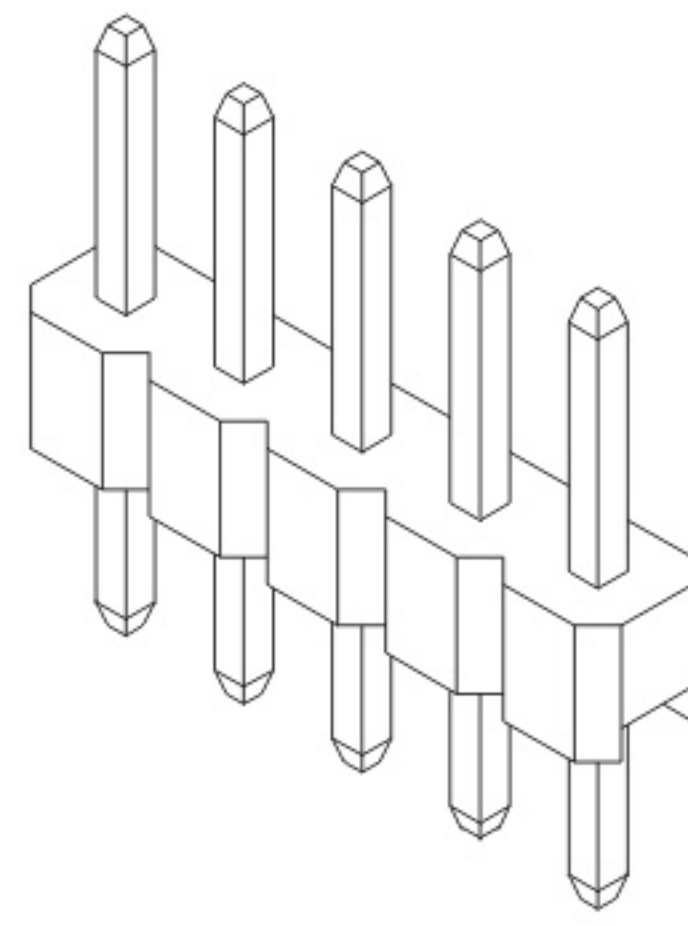
2001PS-NP (2.00mm pitch 180° single row pin header)

Reference Informations:

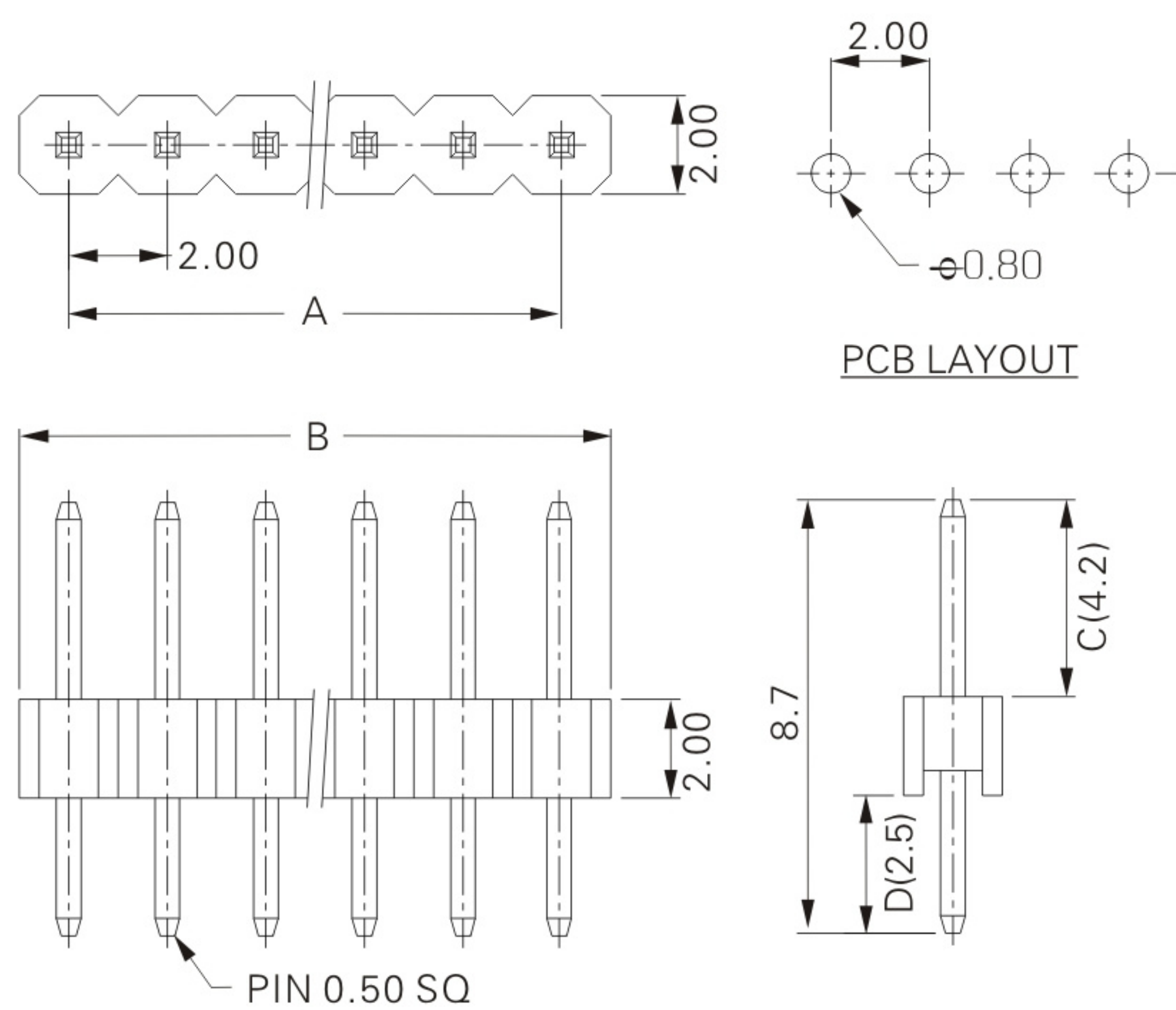
*Material:Pin:Brass/Gold-flash

Wafer: PBT UL 94V-0

*Mates with 2031H series single row Housing



Ordering Information & Dimensions



Circuits	Part No.	DIM.(mm)		Circuits	Part No.	DIM.(mm)	
		A	B			A	B
02	2001PS-02P	2.00	4.00	22	2001PS-22P	42.00	44.00
03	2001PS-03P	4.00	6.00	23	2001PS-23P	44.00	46.00
04	2001PS-04P	6.00	8.00	24	2001PS-24P	46.00	48.00
05	2001PS-05P	8.00	10.00	25	2001PS-25P	48.00	50.00
06	2001PS-06P	10.00	12.00	26	2001PS-26P	50.00	52.00
07	2001PS-07P	12.00	14.00	27	2001PS-27P	52.00	54.00
08	2001PS-08P	14.00	16.00	28	2001PS-28P	54.00	56.00
09	2001PS-09P	16.00	18.00	29	2001PS-29P	56.00	58.00
10	2001PS-10P	18.00	20.00	30	2001PS-30P	58.00	60.00
11	2001PS-11P	20.00	22.00	31	2001PS-31P	60.00	62.00
12	2001PS-12P	22.00	24.00	32	2001PS-32P	62.00	64.00
13	2001PS-13P	24.00	26.00	33	2001PS-33P	64.00	66.00
14	2001PS-14P	26.00	28.00	34	2001PS-34P	66.00	68.00
15	2001PS-15P	28.00	30.00	35	2001PS-35P	68.00	70.00
16	2001PS-16P	30.00	32.00	36	2001PS-36P	70.00	72.00
17	2001PS-17P	32.00	34.00	37	2001PS-37P	72.00	74.00
18	2001PS-18P	34.00	36.00	38	2001PS-38P	74.00	76.00
19	2001PS-19P	36.00	38.00	39	2001PS-39P	76.00	78.00
20	2001PS-20P	38.00	40.00	40	2001PS-40P	78.00	80.00
21	2001PS-21P	40.00	42.00				

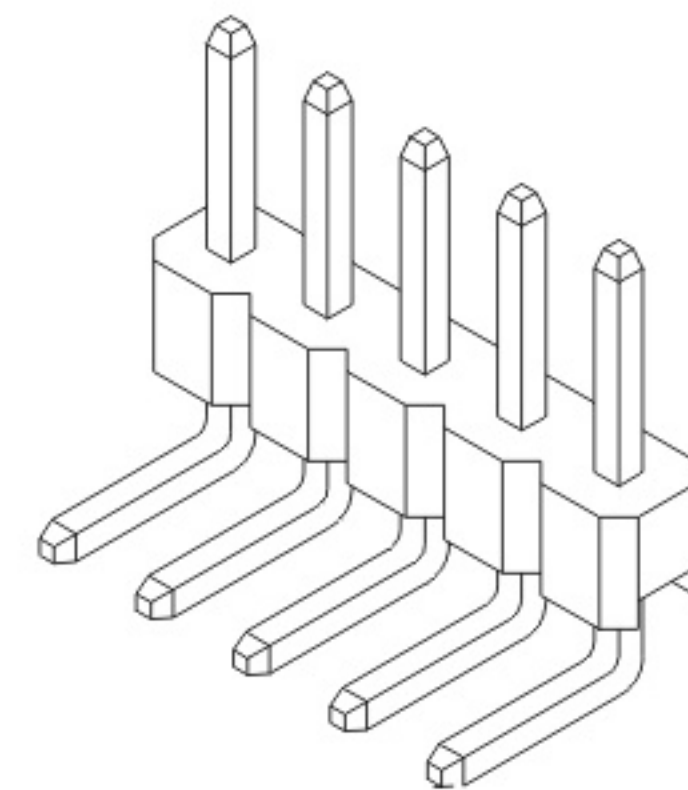
2003PR-NP (2.00mm pitch 90° single row pin header)

Reference Informations:

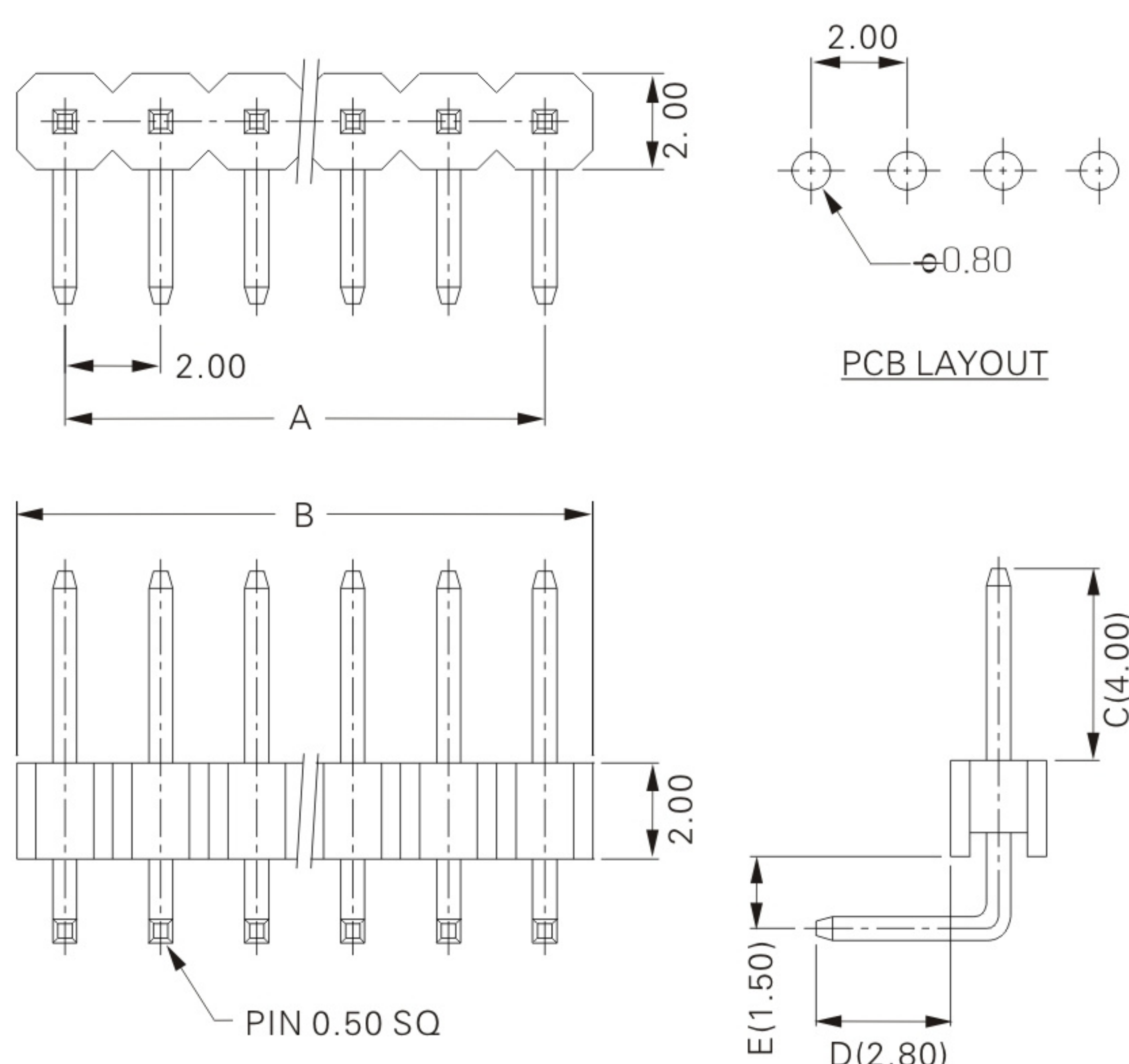
*Material:Pin:Brass/Gold-flash

Wafer: PBT UL 94V-0

*Mates with 2031H series single row Housing



Ordering Information & Dimensions



Circuits	Part No.	DIM.(mm)		Circuits	Part No.	DIM.(mm)	
		A	B			A	B
02	2003PR-02P	2.00	4.00	22	2003PR-22P	42.00	44.00
03	2003PR-03P	4.00	6.00	23	2003PR-23P	44.00	46.00
04	2003PR-04P	6.00	8.00	24	2003PR-24P	46.00	48.00
05	2003PR-05P	8.00	10.00	25	2003PR-25P	48.00	50.00
06	2003PR-06P	10.00	12.00	26	2003PR-26P	50.00	52.00
07	2003PR-07P	12.00	14.00	27	2003PR-27P	52.00	54.00
08	2003PR-08P	14.00	16.00	28	2003PR-28P	54.00	56.00
09	2003PR-09P	16.00	18.00	29	2003PR-29P	56.00	58.00
10	2003PR-10P	18.00	20.00	30	2003PR-30P	58.00	60.00
11	2003PR-11P	20.00	22.00	31	2003PR-31P	60.00	62.00
12	2003PR-12P	22.00	24.00	32	2003PR-32P	62.00	64.00
13	2003PR-13P	24.00	26.00	33	2003PR-33P	64.00	66.00
14	2003PR-14P	26.00	28.00	34	2003PR-34P	66.00	68.00
15	2003PR-15P	28.00	30.00	35	2003PR-35P	68.00	70.00
16	2003PR-16P	30.00	32.00	36	2003PR-36P	70.00	72.00
17	2003PR-17P	32.00	34.00	37	2003PR-37P	72.00	74.00
18	2003PR-18P	34.00	36.00	38	2003PR-38P	74.00	76.00
19	2003PR-19P	36.00	38.00	39	2003PR-39P	76.00	78.00
20	2003PR-20P	38.00	40.00	40	2003PR-40P	78.00	80.00
21	2003PR-21P	40.00	42.00				

2031KEY (2.00 pitch safety pin key)

Reference Informations:

*Mat'l:PBT UL94V-0

*Mates with 2031H &2032H series Housing

