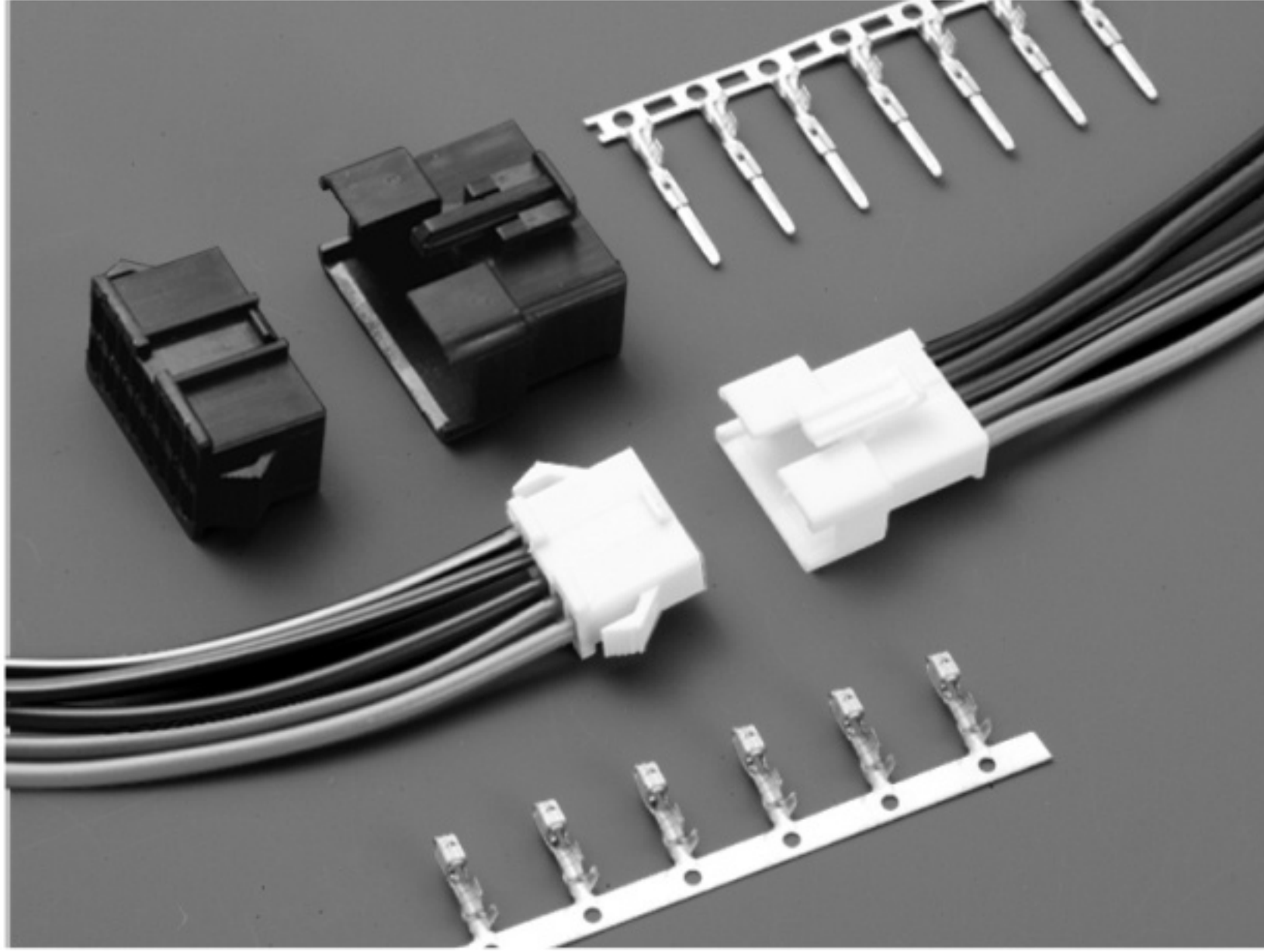


# 2501CH/2601CH SERIES

2.50mm PITCH WIRE TO WIRE CONNECTOR



## Specifications

Current rating: 3A AC,DC

Voltage rating: 250V AC,DC

Temperature range: -25°C to +85°C

(including temperature rise)

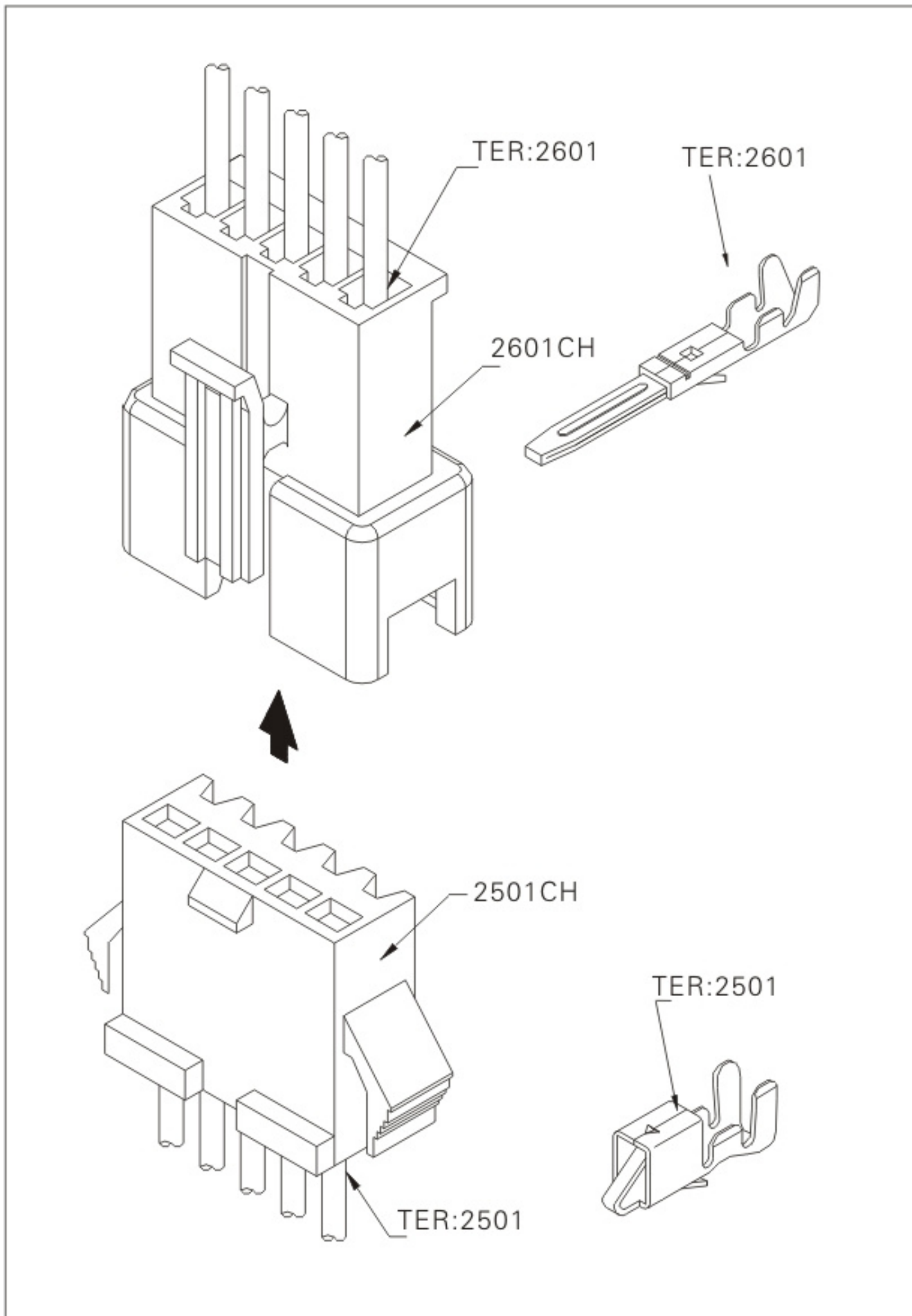
Contact resistance: Initial value/ 10m  $\Omega$  Max.

After environmental testing/20m  $\Omega$  Max.

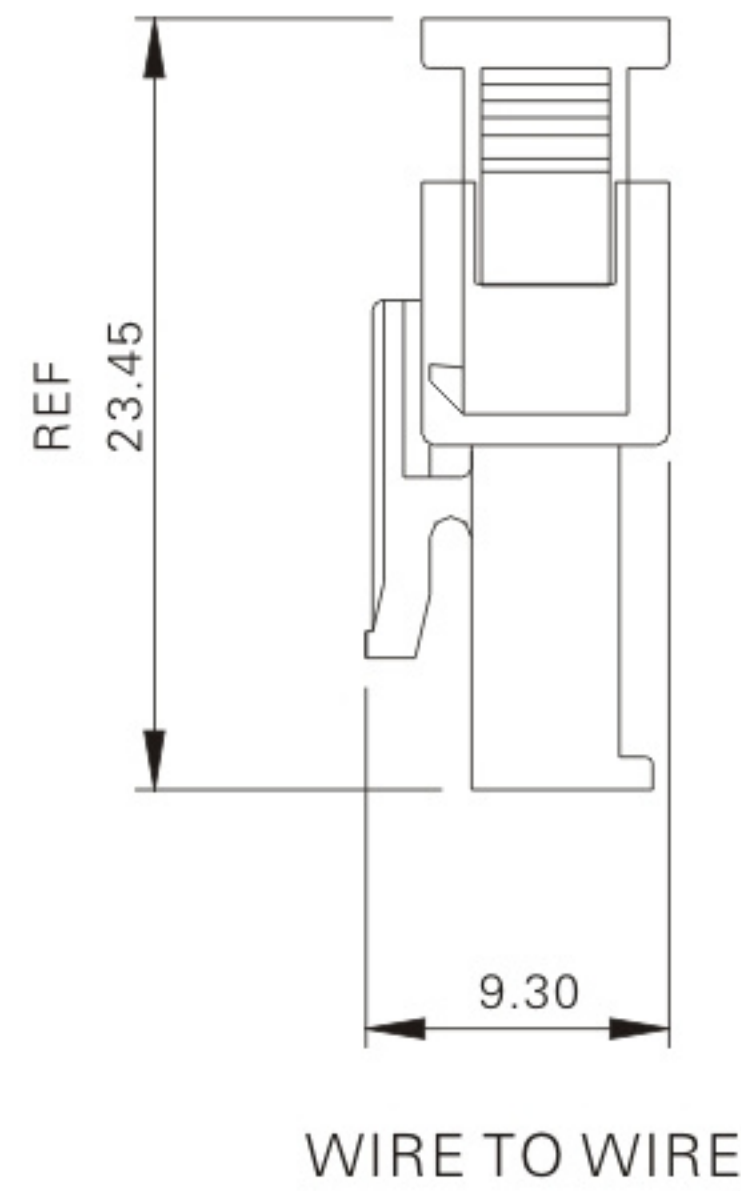
Insulation resistance: 500M  $\Omega$  Min.

Withstanding voltage: 1500V AC/minute

Applicable wire: AWG#22-#26



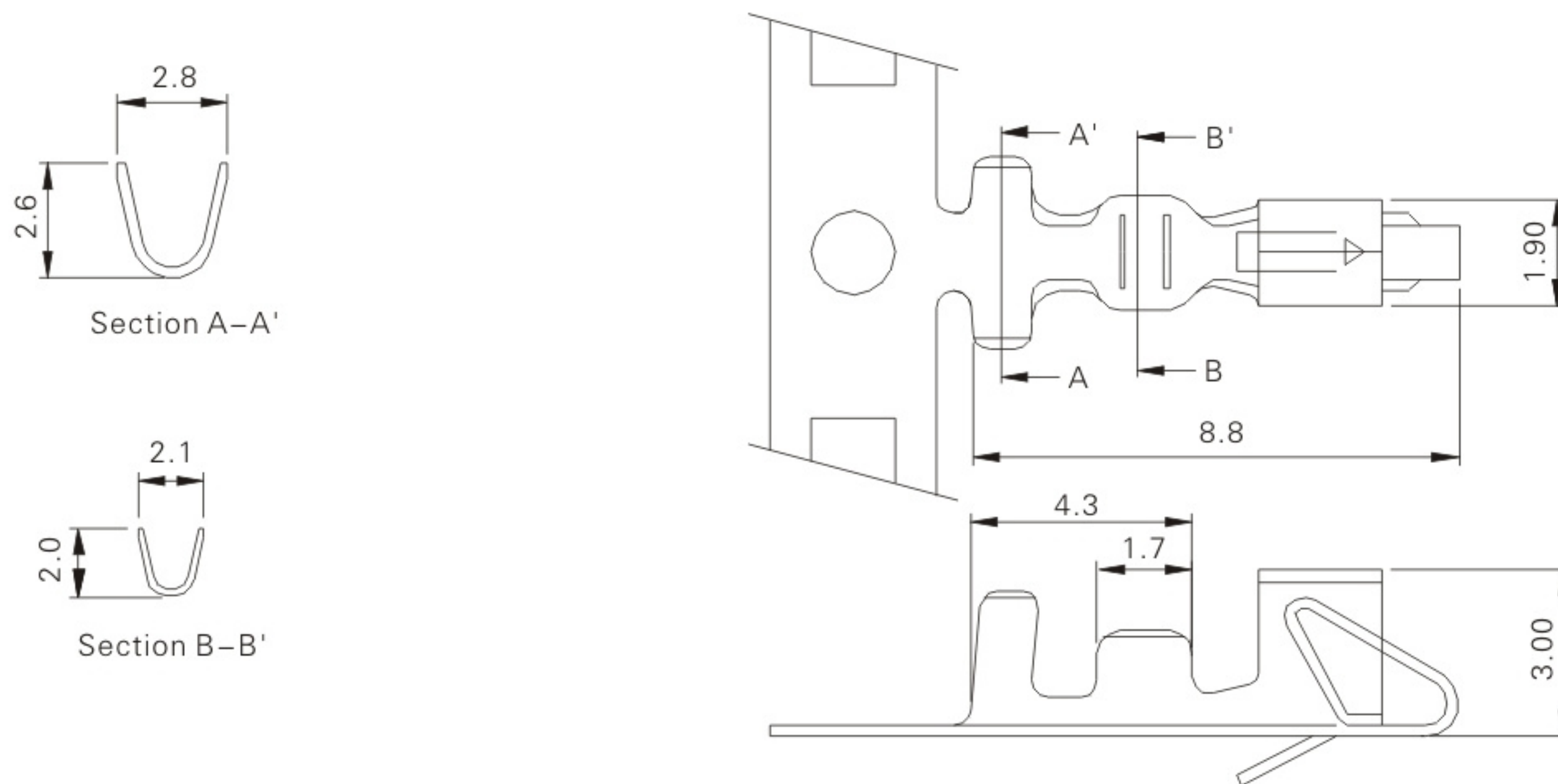
## Assembly layout



# 2501-T (2.50mm pitch crimp terminal)

## Reference Informations:

- \*Thickness: 0.20mm
- \*Mat'l: Brass Tin Plated
- \*Mates With: 2501H 2501CH series Housing



## Ordering Information & Specifications

Unit: mm

Part No.	Wire Range	Insulation O.D.	Material	Finish	Qty/reel
2501T	AWG#22-#26	Φ1.7mm max	Brass	Tin-plated	6,000

# 2501CH (2.50mm pitch single row and dual row housing)

## Reference Informations:

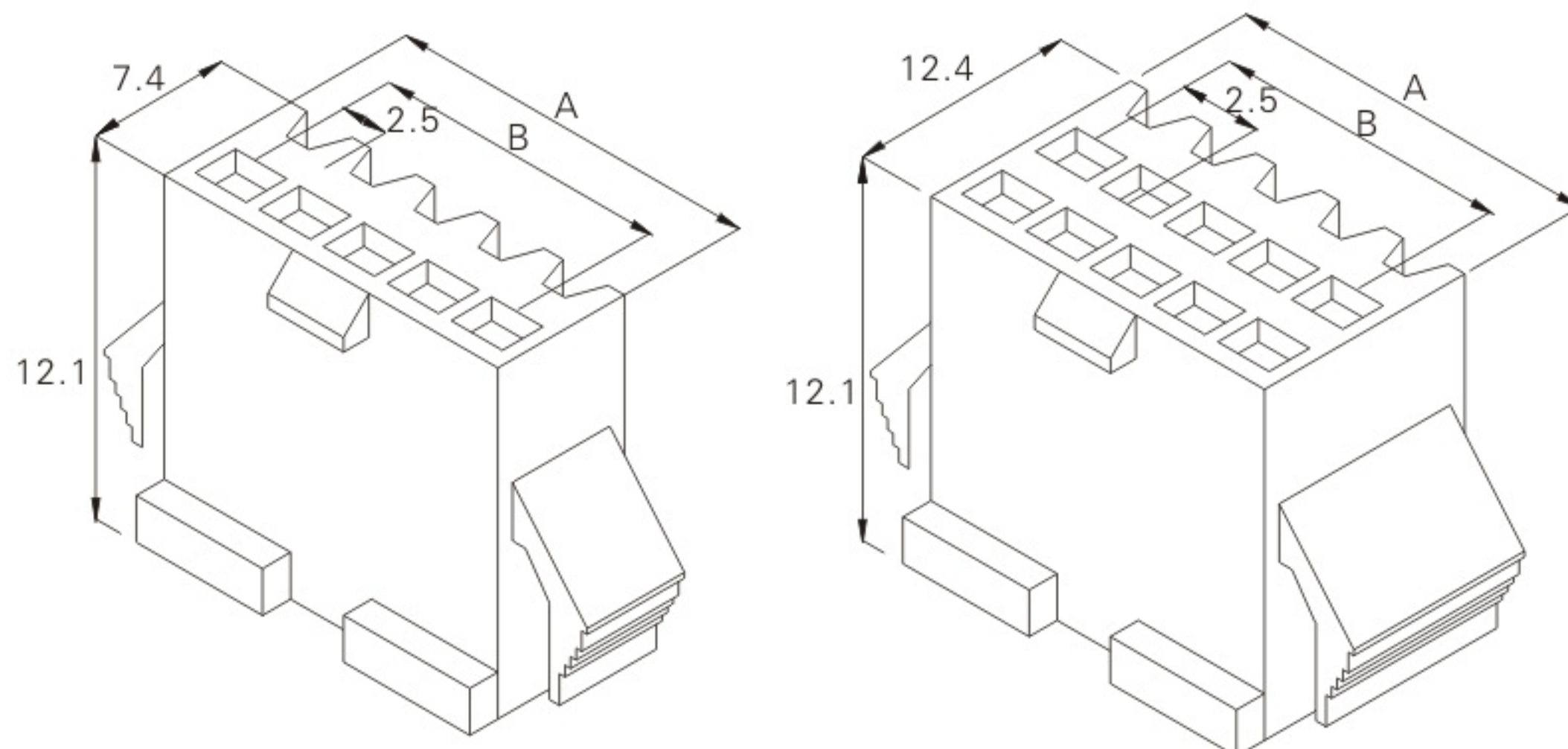
- \*Mat'l: Nylon 66 UL 94V-0
- \*Mates With: 2501 series Terminal
- \*Accepts With: 2601CH series Housing

## Ordering Information & Dimensions

Circuits	Part No.	DIM.(mm)	
		A	B
02	2501CH-02	5.6	2.5
03	2501CH-03	8.1	5.0
04	2501CH-04	10.6	7.5
05	2501CH-05	13.1	10.0
06	2501CH-06	15.7	12.5
07	2501CH-07	18.3	15.0
08	2501CH-08	20.8	17.5
09	2501CH-09	23.2	20.0
10	2501CH-10	25.8	22.5
11	2501CH-11	28.3	25.0
12	2501CH-12	30.8	27.5

## Ordering Information & Dimensions

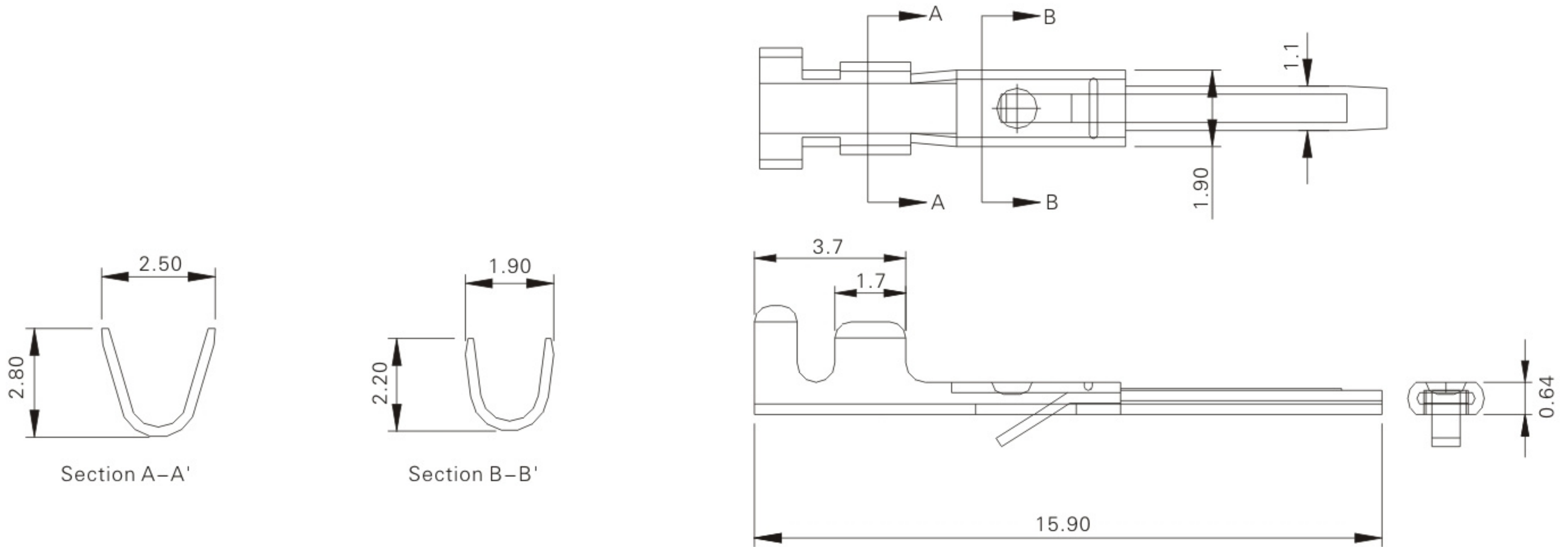
Circuits	Part No.	DIM.(mm)	
		A	B
04	2501CH-04(2x2)	5.6	2.5
06	2501CH-06(2x3)	8.1	5.0
08	2501CH-08(2x4)	10.6	7.5
10	2501CH-10(2x5)	13.1	10.0
12	2501CH-12(2x6)	15.7	12.5
14	2501CH-14(2x7)	18.3	15.0
16	2501CH-16(2x8)	20.8	17.5
18	2501CH-18(2x9)	23.2	20.0
20	2501CH-20(2x10)	25.8	22.5
22	2501CH-22(2x11)	28.3	25.0
24	2501CH-24(2x12)	30.8	27.5



# 2601-T (2.50mm pitch crimp terminal)

## Reference Informations:

- \*Thickness: 0.25mm
- \*Mat'l: Brass Tin Plated
- \*Mates With: 2601CH series Housing



## Ordering Information & Specifications

Unit: mm

Part No.	Wire Range	Insulation O.D.	Material	Finish	Qty/reel
2601	AWG#22-#26	1.7mm max	Brass	Tin-plated	7,000

# 2601CH (2.50mm pitch single row and dual row housing)

## Reference Informations:

- \*Mat'l: Nylon 66 UL 94V-2
- \*Mates With: 2601 series Terminal
- \*Accepts With: 2501CH series Housing

## Ordering Information & Dimensions

Circuits	Part No.	DIM.(mm)	
		A	B
02	2601CH-02	8.0	2.5
03	2601CH-03	10.5	5.0
04	2601CH-04	13.0	7.5
05	2601CH-05	15.5	10.0
06	2601CH-06	18.0	12.5
07	2601CH-07	20.5	15.0
08	2601CH-08	23.0	17.5
09	2601CH-09	25.5	20.0
10	2601CH-10	28.0	22.5
11	2601CH-11	30.5	25.0
12	2601CH-12	33.0	27.5

## Ordering Information & Dimensions

Circuits	Part No.	DIM.(mm)	
		A	B
04	2601CH-04(2x2)	8.0	2.5
06	2601CH-06(2x3)	10.5	5.0
08	2601CH-08(2x4)	13.0	7.5
10	2601CH-10(2x5)	15.5	10.0
12	2601CH-12(2x6)	18.0	12.5
14	2601CH-14(2x7)	20.5	15.0
16	2601CH-16(2x8)	23.0	17.5
18	2601CH-18(2x9)	25.5	20.0
20	2601CH-20(2x10)	28.0	22.5
22	2601CH-22(2x11)	30.5	25.0
24	2601CH-24(2x12)	33.0	27.5

