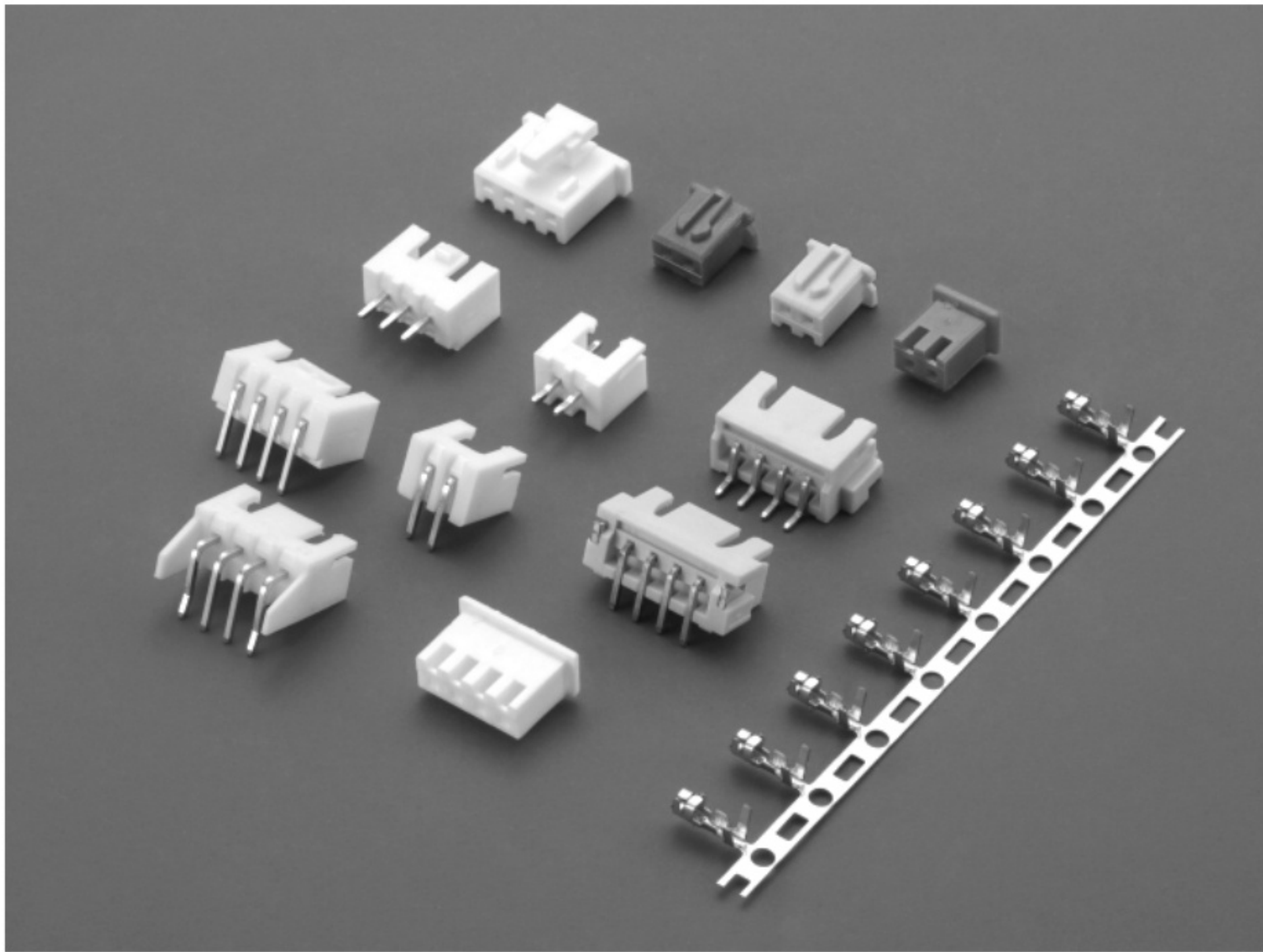


2530 SERIES

2.50mm PITCH WIRE TO BOARD CONNECTOR



Specifications

Current Rating: 3A AC,DC

Voltage Rating: 250V AC,DC

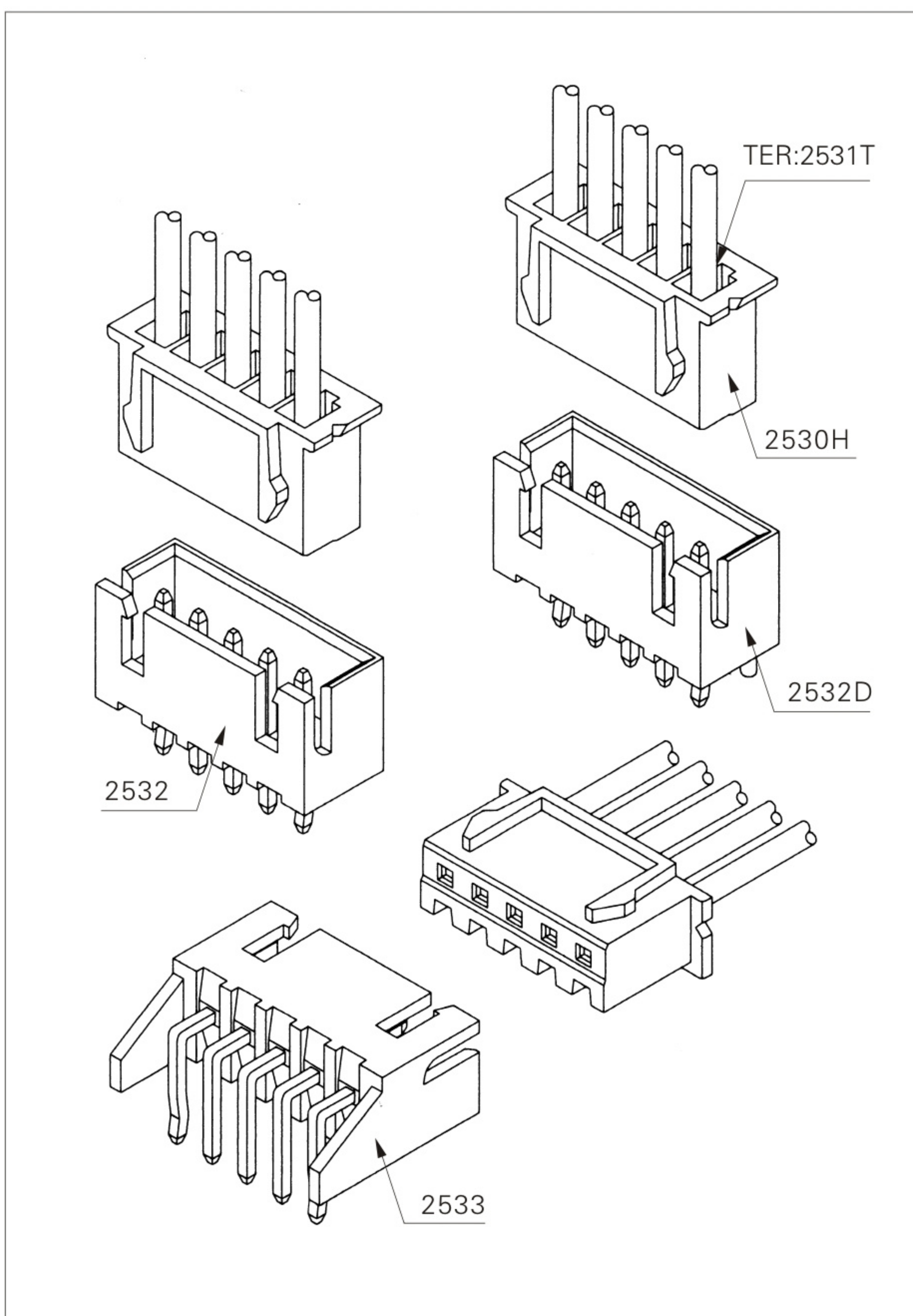
Temperature Range: -25°C~+85°C

Contact Resistance: 10mΩ Max.

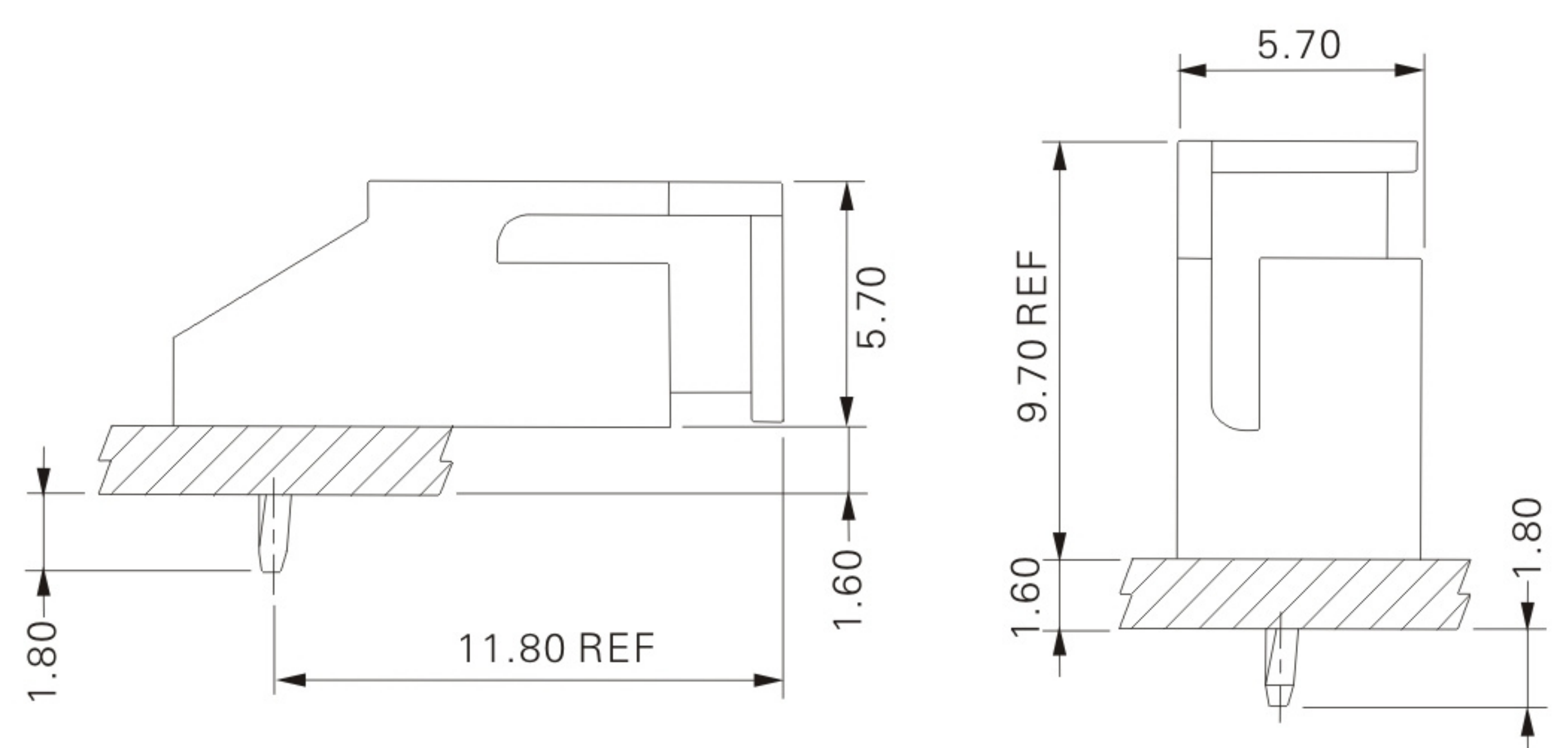
Insulation Resistance: 1000MΩ Min.

Withstanding Voltage: 1000V AC/minute

Applicable wire: AWG#22-#28



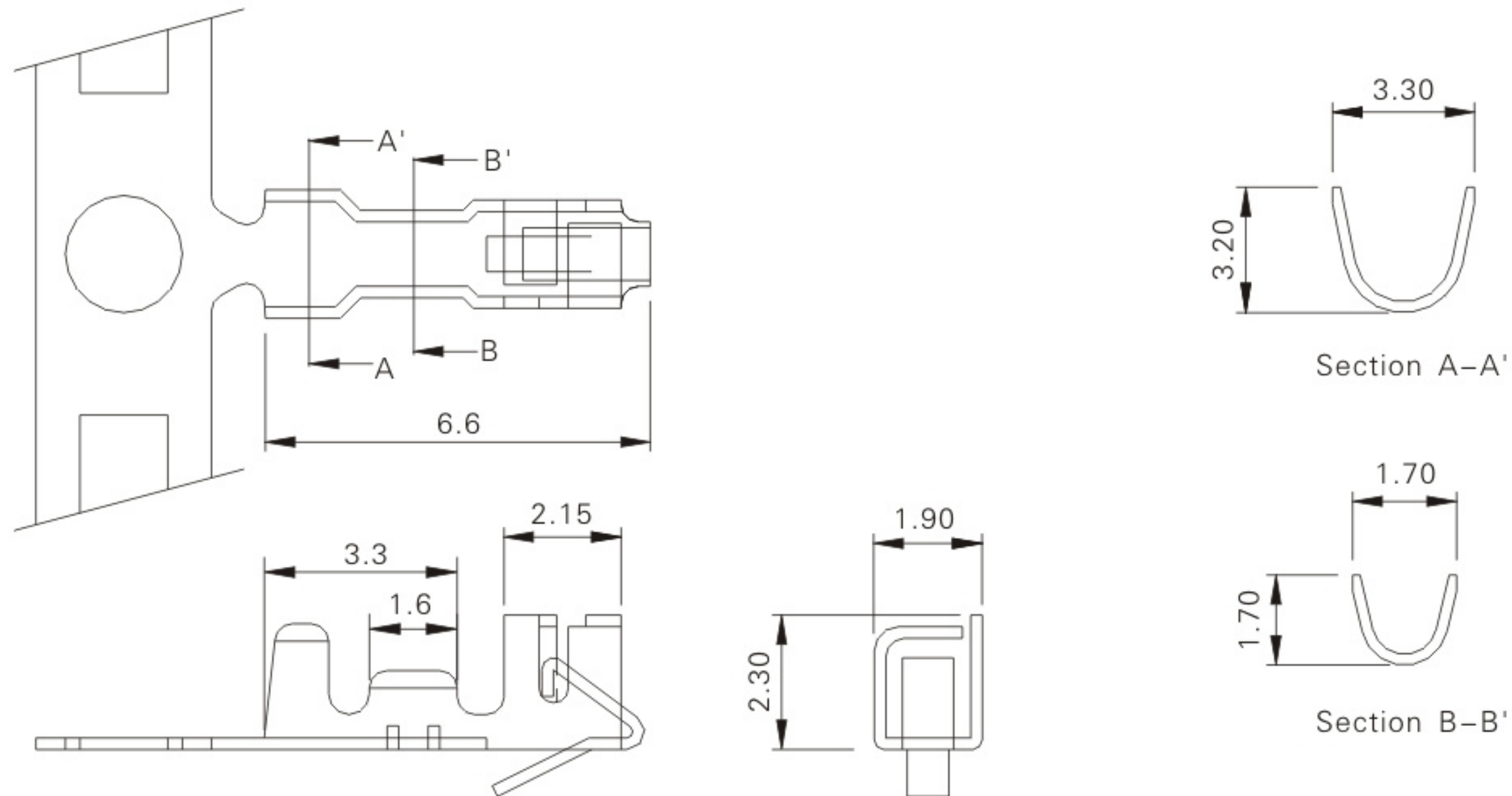
Assembly layout



2531-T (2.50mm pitch crimp terminal)

Reference Informations:

*Used in 2530H series Housing



Ordering Information & Specifications

Unit: mm

Part No.	Wire Range	Insulation O.D.	Material	Finish	Qty/reel
2531T	AWG#22#30	1.90mm(max)	Brass	Tin-plated	7,000pcs
2531P	AWG#22#30	1.90mm(max)	Phosphor Bronze	Tin-plated	7,000pcs

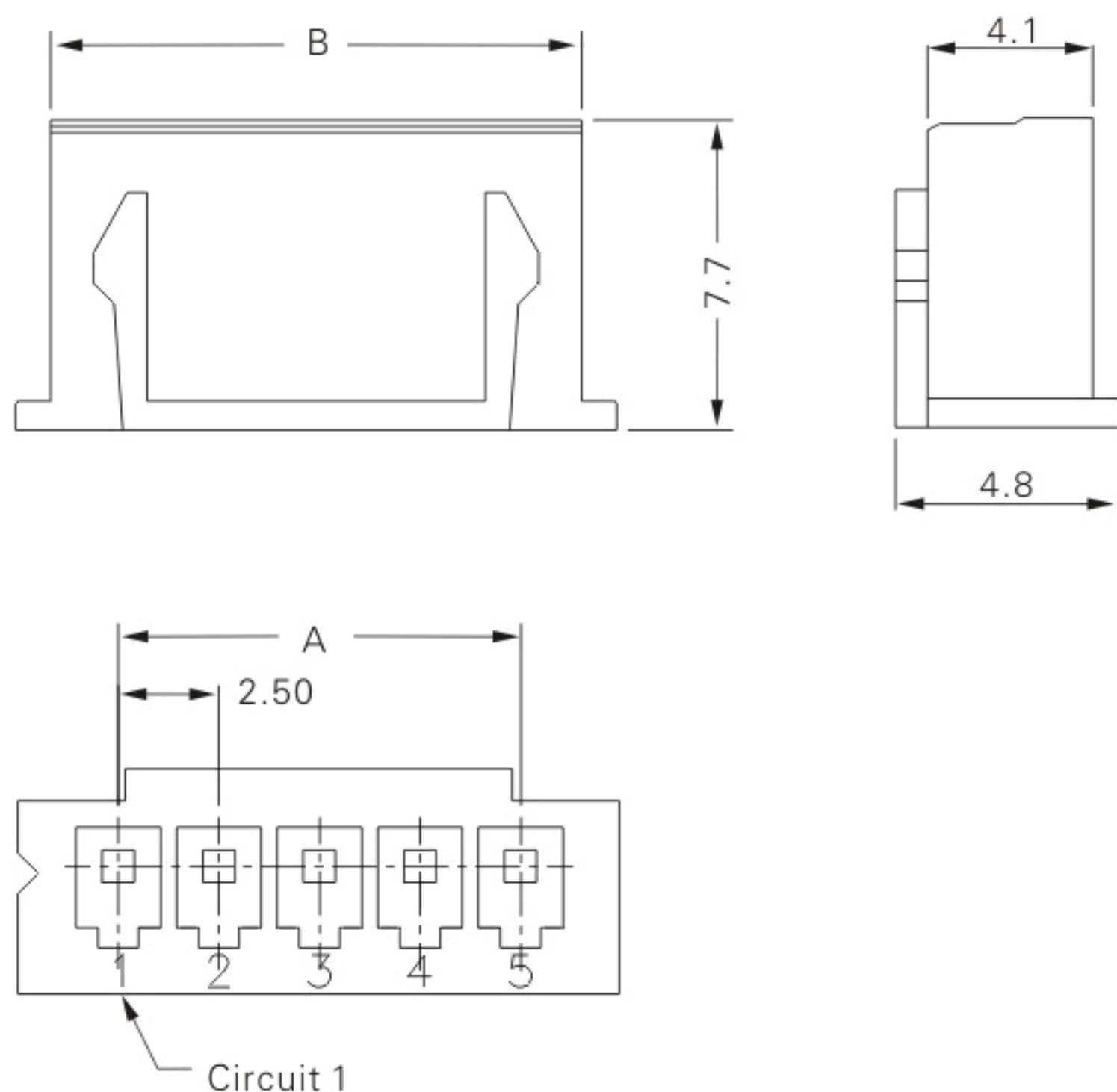
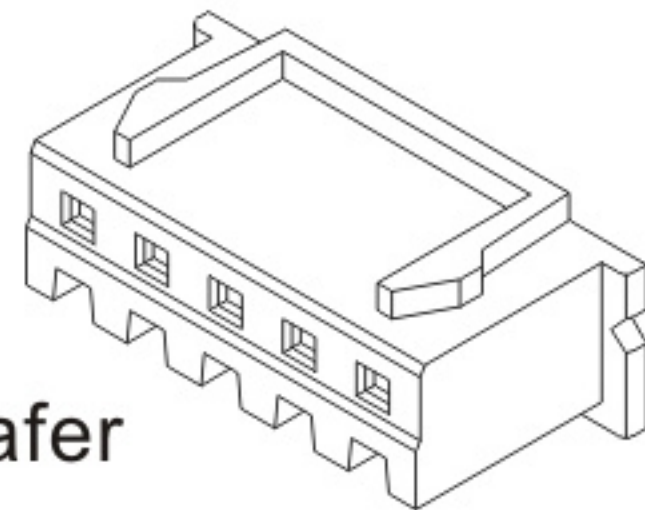
2530H-NP (2.50mm pitch crimp housing)

Reference Informations:

*Material: Nylon 66, UL94V-0

*Suitable 2531-T series Terminal

*Mates with 2532PS & 2533PR series Wafer



Ordering Information & Dimensions

Circuits	Part No.	DIM.(mm)	
		A	B
02	2530H-02P	2.50	5.75
03	2530H-03P	5.00	8.25
04	2530H-04P	7.50	10.75
05	2530H-05P	10.00	13.25
06	2530H-06P	12.50	15.75
07	2530H-07P	15.00	18.25
08	2530H-08P	17.50	20.75
09	2530H-09P	20.00	23.25
10	2530H-10P	22.50	25.75
11	2530H-11P	25.00	28.25
12	2530H-12P	27.50	30.75
13	2530H-13P	30.00	33.25
14	2530H-14P	32.50	35.75
15	2530H-15P	35.00	38.25
16	2530H-16P	37.50	40.75
17	2530H-17P	40.00	43.25
18	2530H-18P	42.50	45.75
19	2530H-19P	45.00	48.25
20	2530H-20P	47.50	50.75

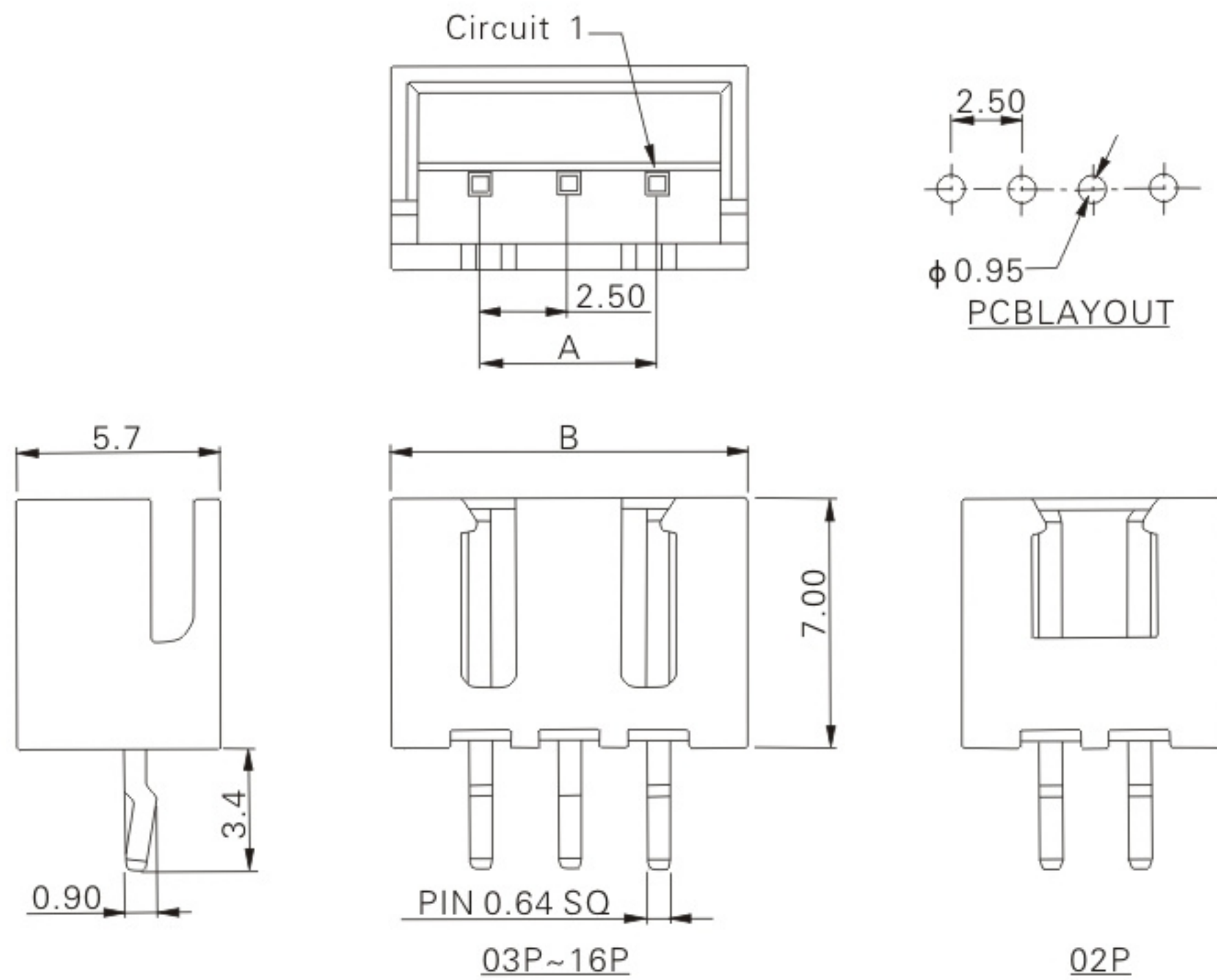
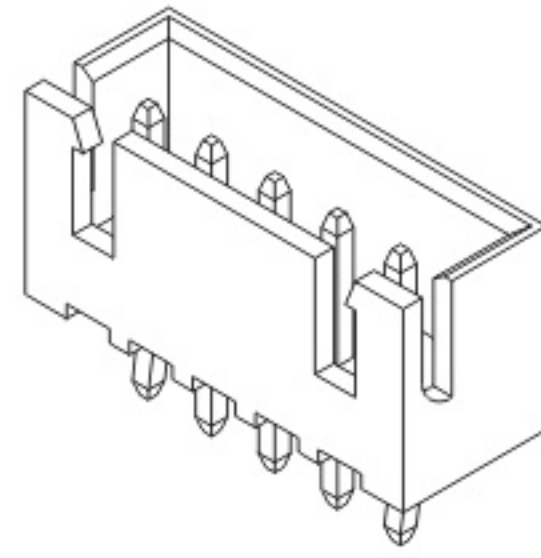
2532-NP-K (2.50mm pitch 180° wafer)

Reference Informations:

*Material:Pin:Brass/Tin-plated

Wafer:Nylon 66,UL94V-0

*Mates with 2530H series Housing



Ordering Information & Dimensions

Circuits	Part No.	DIM.(mm)	
		A	B
02	2532-02K	2.50	7.50
03	2532-03K	5.00	10.00
04	2532-04K	7.50	12.50
05	2532-05K	10.00	15.00
06	2532-06K	12.50	17.50
07	2532-07K	15.00	20.00
08	2532-08K	17.50	22.50
09	2532-09K	20.00	25.00
10	2532-10K	22.50	27.50
11	2532-11K	25.00	30.00
12	2532-12K	27.50	32.50
13	2532-13K	30.00	35.00
14	2532-14K	32.50	37.50
15	2532-15K	35.00	40.00
16	2532-16K	37.50	42.50
17	2532-17K	40.00	45.00
18	2532-18K	42.50	47.50
19	2532-19K	45.00	50.00
20	2532-20K	47.50	52.50

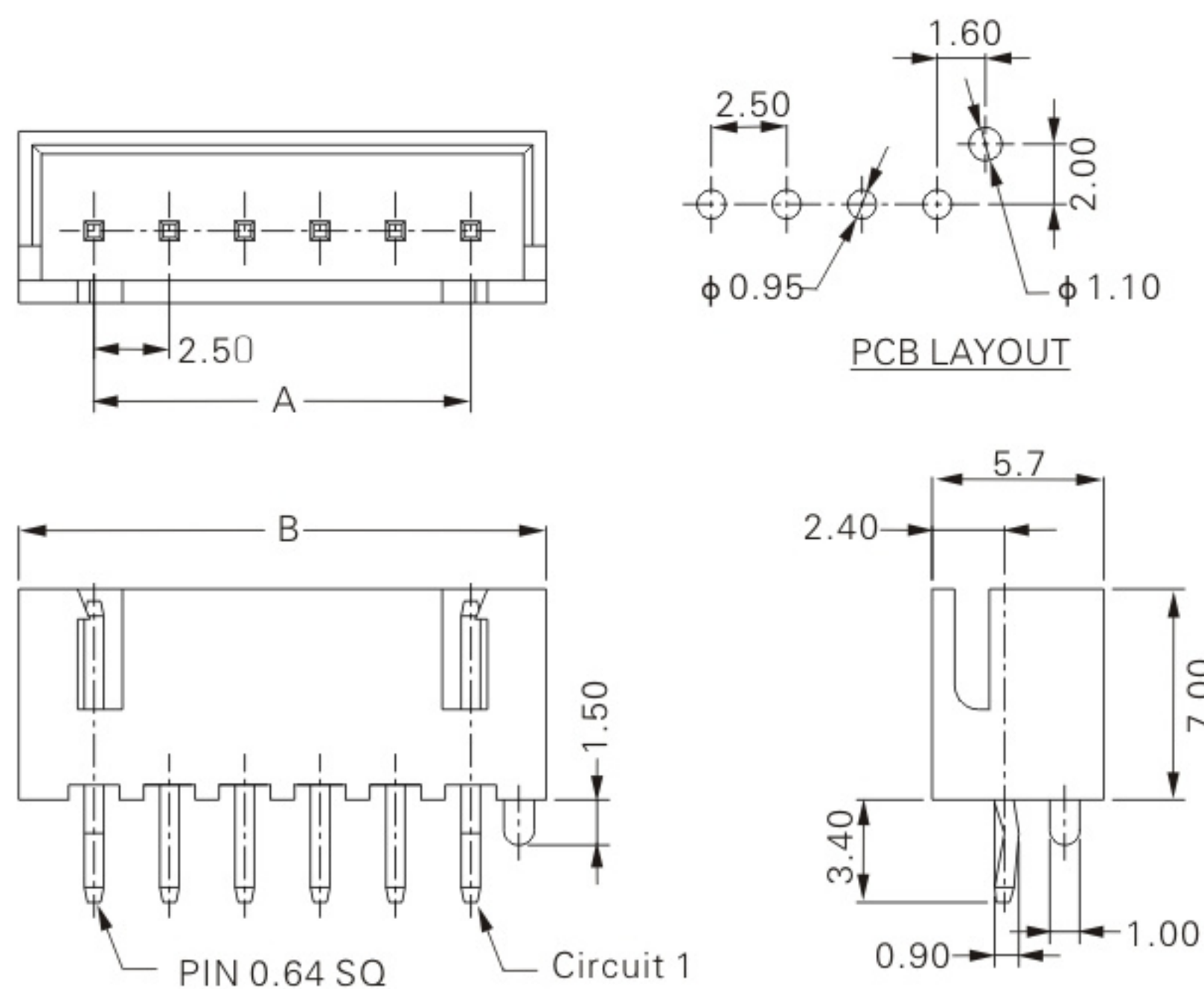
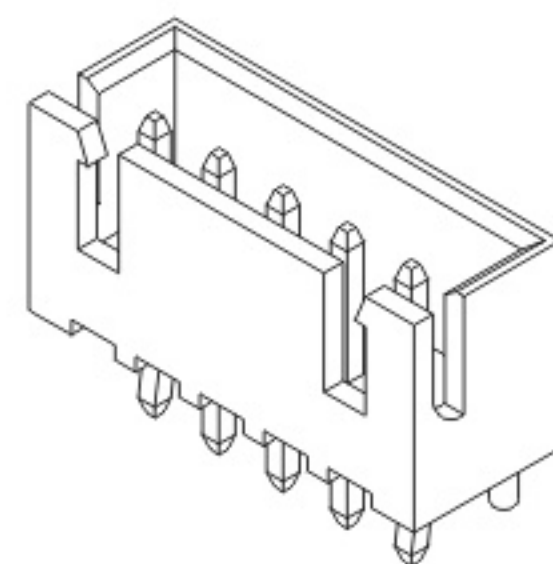
2532D-NP-K (2.50mm pitch 180° wafer with foot)

Reference Informations:

*Material:Pin:Brass/Tin-plated

Wafer:Nylon 66,UL94V-0

*Mates with 2530H series Housing



Ordering Information & Dimensions

Circuits	Part No.	DIM.(mm)	
		A	B
02	2532D-02K	2.50	7.50
03	2532D-03K	5.00	10.00
04	2532D-04K	7.50	12.50
05	2532D-05K	10.00	15.00
06	2532D-06K	12.50	17.50
07	2532D-07K	15.00	20.00
08	2532D-08K	17.50	22.50
09	2532D-09K	20.00	25.00
10	2532D-10K	22.50	27.50
11	2532D-11K	25.00	30.00
12	2532D-12K	27.50	32.50
13	2532D-13K	30.00	35.00
14	2532D-14K	32.50	37.50
15	2532D-15K	35.00	40.00
16	2532D-16K	37.50	42.50
17	2532D-17K	40.00	45.00
18	2532D-18K	42.50	47.50
19	2532D-19K	45.00	50.00
20	2532D-20K	47.50	52.50

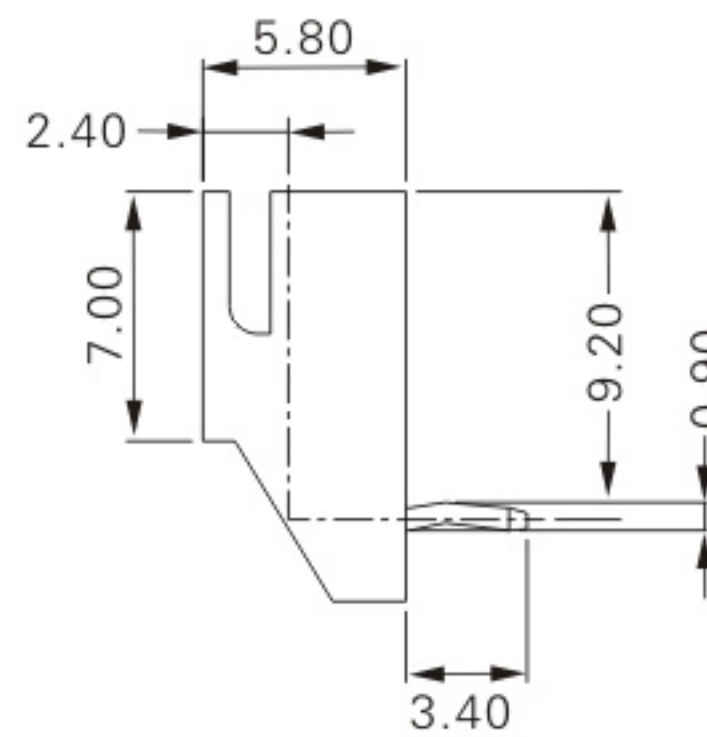
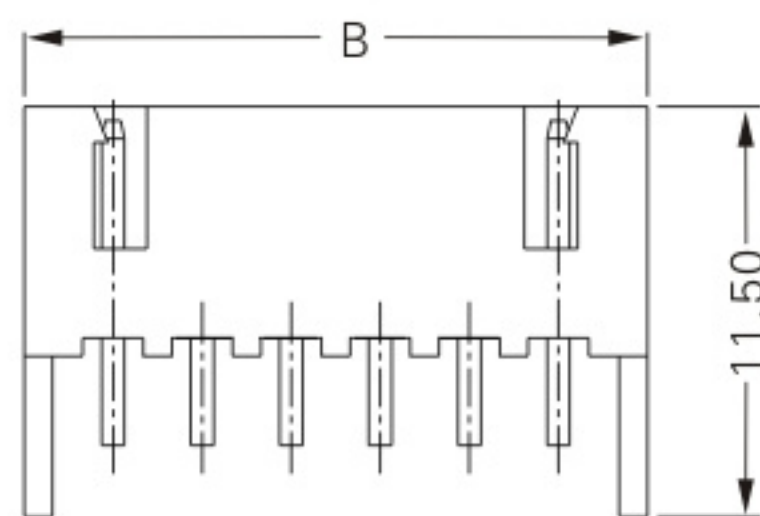
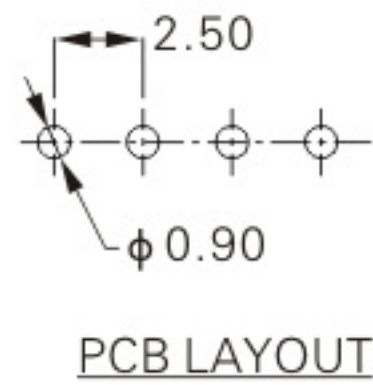
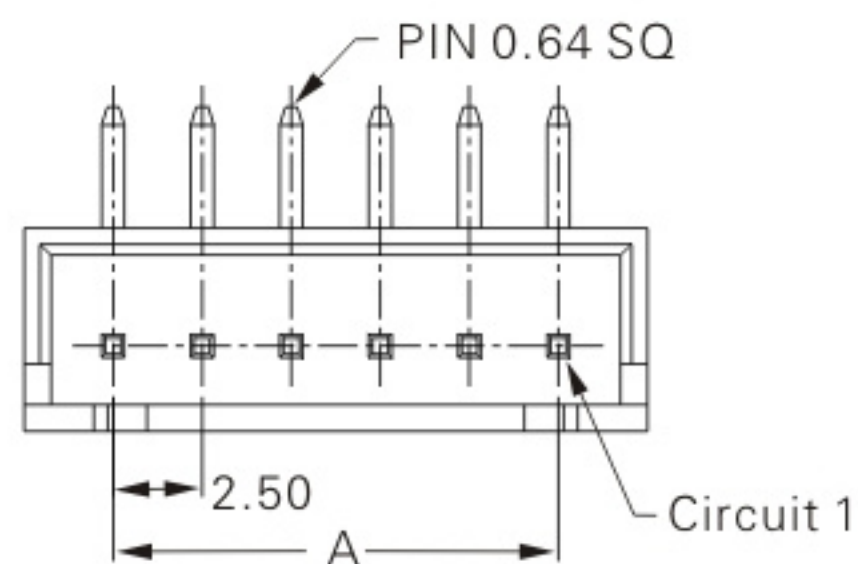
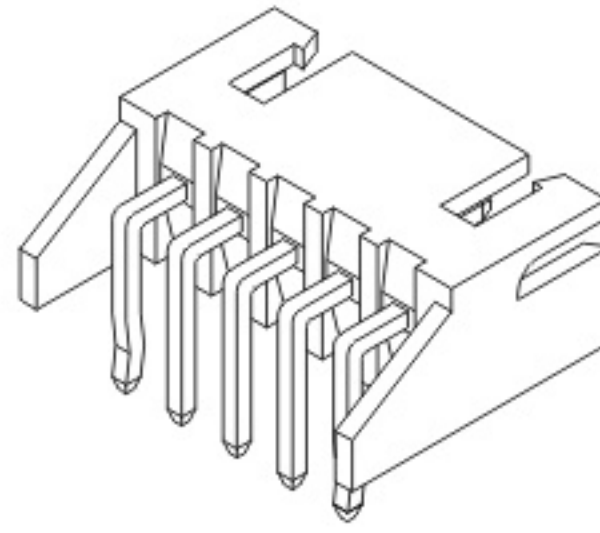
2533-NP-K (2.50mm pitch 90° wafer)

Reference Informations:

*Material:Pin:Brass/Tin-plated

Wafer:Nylon 66,UL94V-0

*Mates with 2530H series Housing



Ordering Information & Dimensions

Circuits	Part No.	DIM.(mm)	
		A	B
02	2533-02K	2.50	7.50
03	2533-03K	5.00	10.00
04	2533-04K	7.50	12.50
05	2533-05K	10.00	15.00
06	2533-06K	12.50	17.50
07	2533-07K	15.00	20.00
08	2533-08K	17.50	22.50
09	2533-09K	20.00	25.00
10	2533-10K	22.50	27.50
11	2533-11K	25.00	30.00
12	2533-12K	27.50	32.50
13	2533-13K	30.00	35.00
14	2533-14K	32.50	37.50
15	2533-15K	35.00	40.00
16	2533-16K	37.50	42.50
17	2533-17K	40.00	45.00
18	2533-18K	42.50	47.50
19	2533-19K	45.00	50.00
20	2533-20K	47.50	52.50

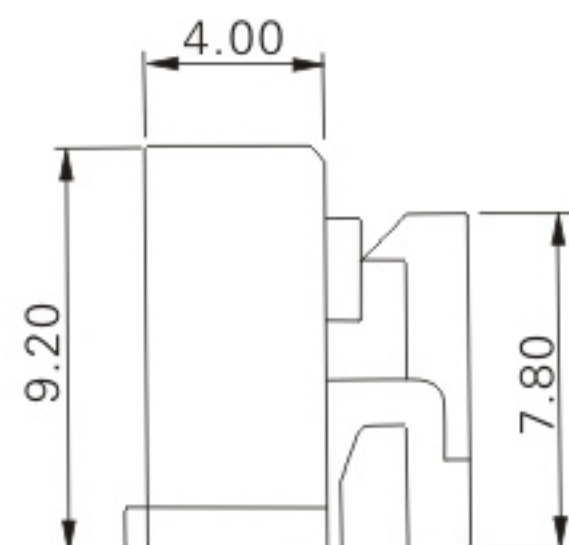
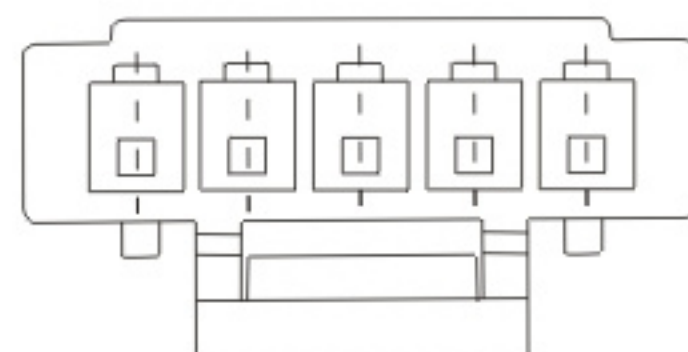
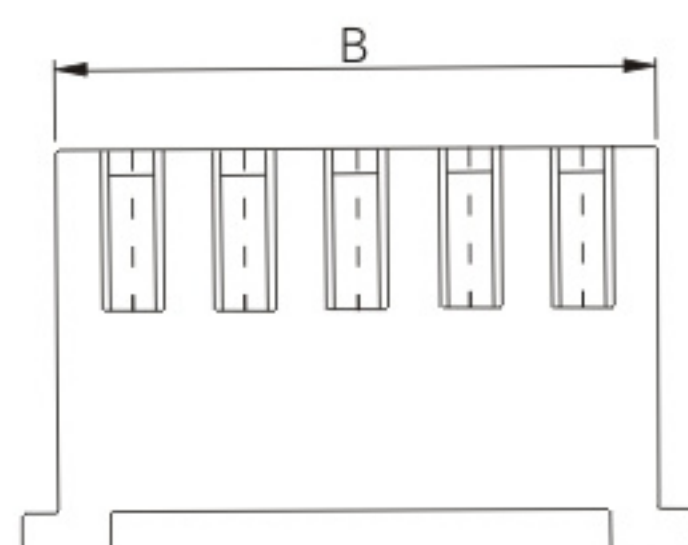
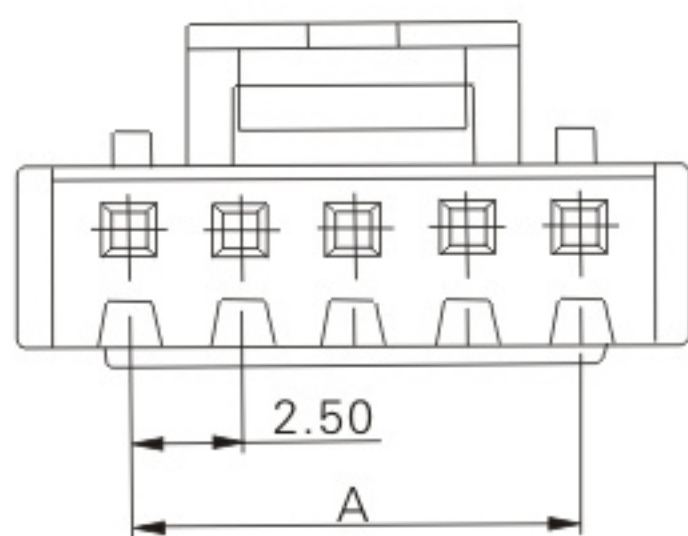
2530-NP-A (2.50mm pitch housing with lock)

Reference Informations:

*Material: Nylon 66, UL94V-0

*Suitable 2530-T series Terminal

*Mates With 2532-A & 2533-A series Wafer



Ordering Information & Dimensions

Circuits	Part No.	DIM.(mm)	
		A	B
02	2530-02A	2.50	5.70
03	2530-03A	5.00	8.20
04	2530-04A	7.50	10.70
05	2530-05A	10.00	13.20
06	2530-06A	12.50	15.70
07	2530-07A	15.00	18.20
08	2530-08A	17.50	20.70
09	2530-09A	20.00	23.20
10	2530-10A	22.50	25.70
11	2530-11A	25.00	28.20
12	2530-12A	27.50	30.70
13	2530-13A	30.00	33.20
14	2530-14A	32.50	35.70
15	2530-15A	35.00	38.20
16	2530-16A	37.50	40.70

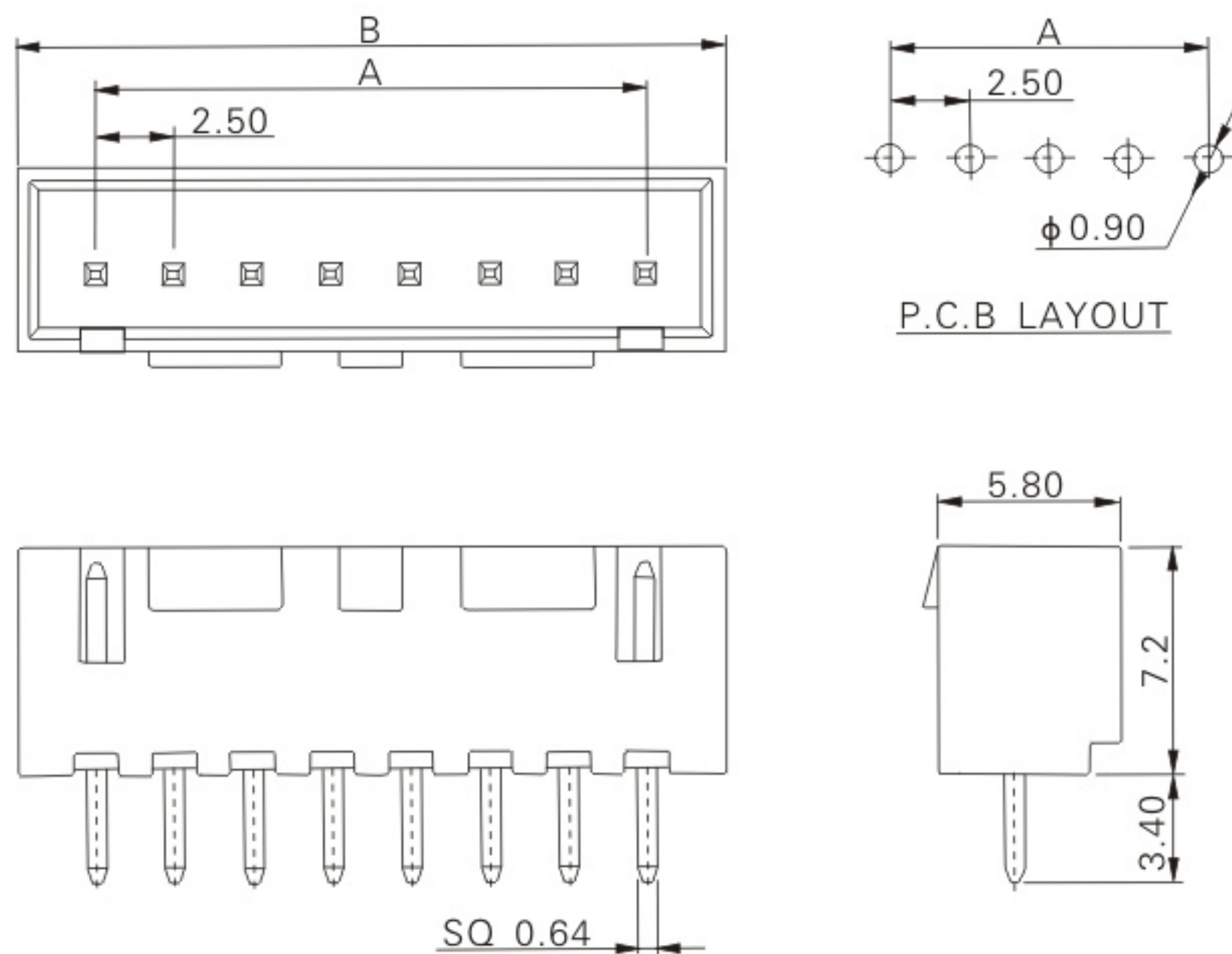
2532-NP-A (2.50mm pitch 180° wafer-A TYPE)

Reference Informations:

*Material: Pin: Brass/Tin-plated

Wafer: Nylon 66, UL94V-0

*Mates with 2530H-A series Housing



Ordering Information & Dimensions

Circuits	Part No.	DIM.(mm)	
		A	B
02	2532-02A	2.50	7.50
03	2532-03A	5.00	10.00
04	2532-04A	7.50	12.50
05	2532-05A	10.00	15.00
06	2532-06A	12.50	17.50
07	2532-07A	15.00	20.00
08	2532-08A	17.50	22.50
09	2532-09A	20.00	25.00
10	2532-10A	22.50	27.50
11	2532-11A	25.00	30.00
12	2532-12A	27.50	32.50
13	2532-13A	30.00	35.00
14	2532-14A	32.50	37.50
15	2532-15A	35.00	40.00
16	2532-16A	37.50	42.50

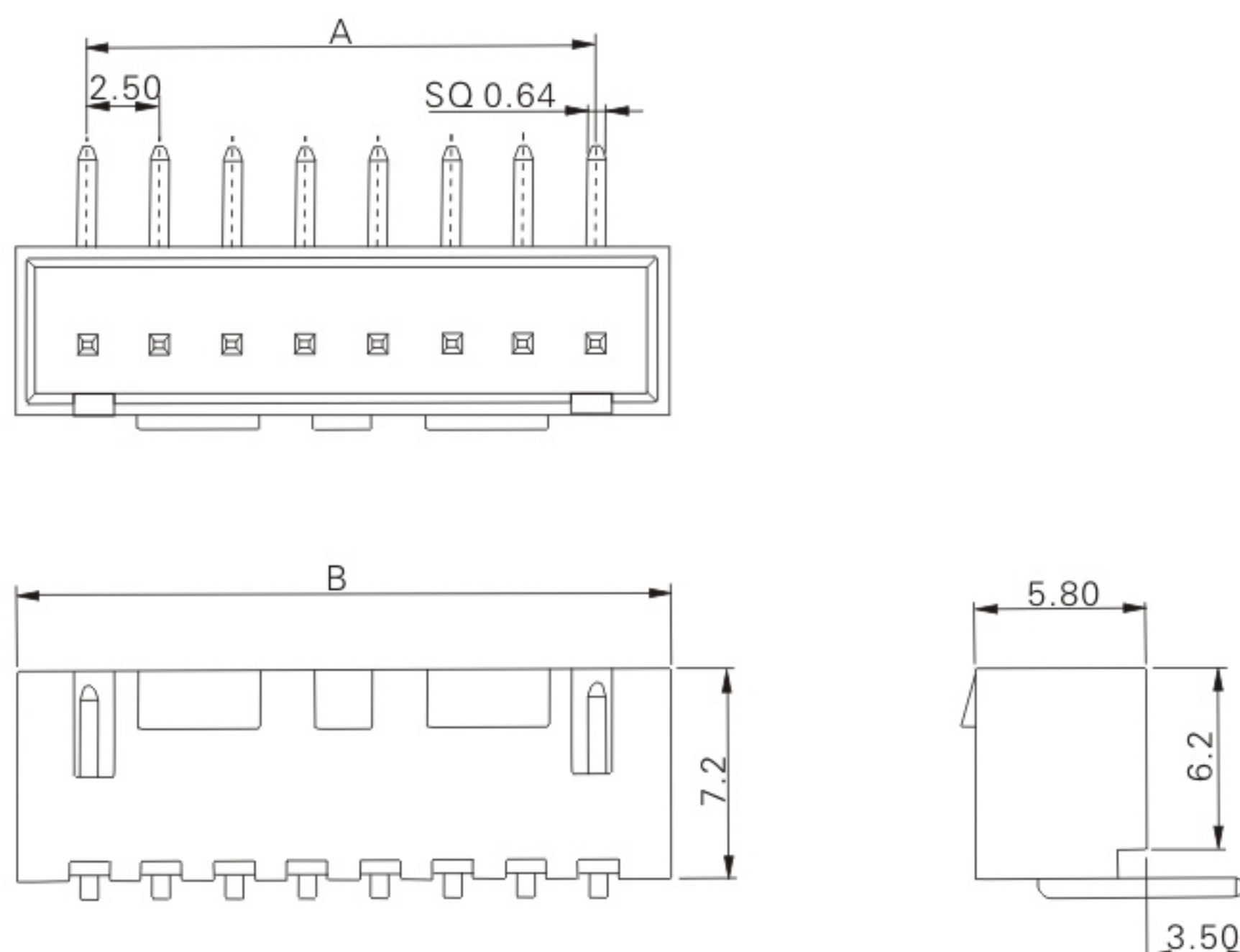
2533-NP-A (2.50mm pitch 90° wafer-A TYPE)

Reference Informations:

*Material: Pin: Brass/Tin-plated

Wafer: Nylon 66, UL94V-0

*Mates with 2530H-A series Housing



Ordering Information & Dimensions

Circuits	Part No.	DIM.(mm)	
		A	B
02	2533-02A	2.50	7.50
03	2533-03A	5.00	10.00
04	2533-04A	7.50	12.50
05	2533-05A	10.00	15.00
06	2533-06A	12.50	17.50
07	2533-07A	15.00	20.00
08	2533-08A	17.50	22.50
09	2533-09A	20.00	25.00
10	2533-10A	22.50	27.50
11	2533-11A	25.00	30.00
12	2533-12A	27.50	32.50
13	2533-13A	30.00	35.00
14	2533-14A	32.50	37.50
15	2533-15A	35.00	40.00
16	2533-16A	37.50	42.50