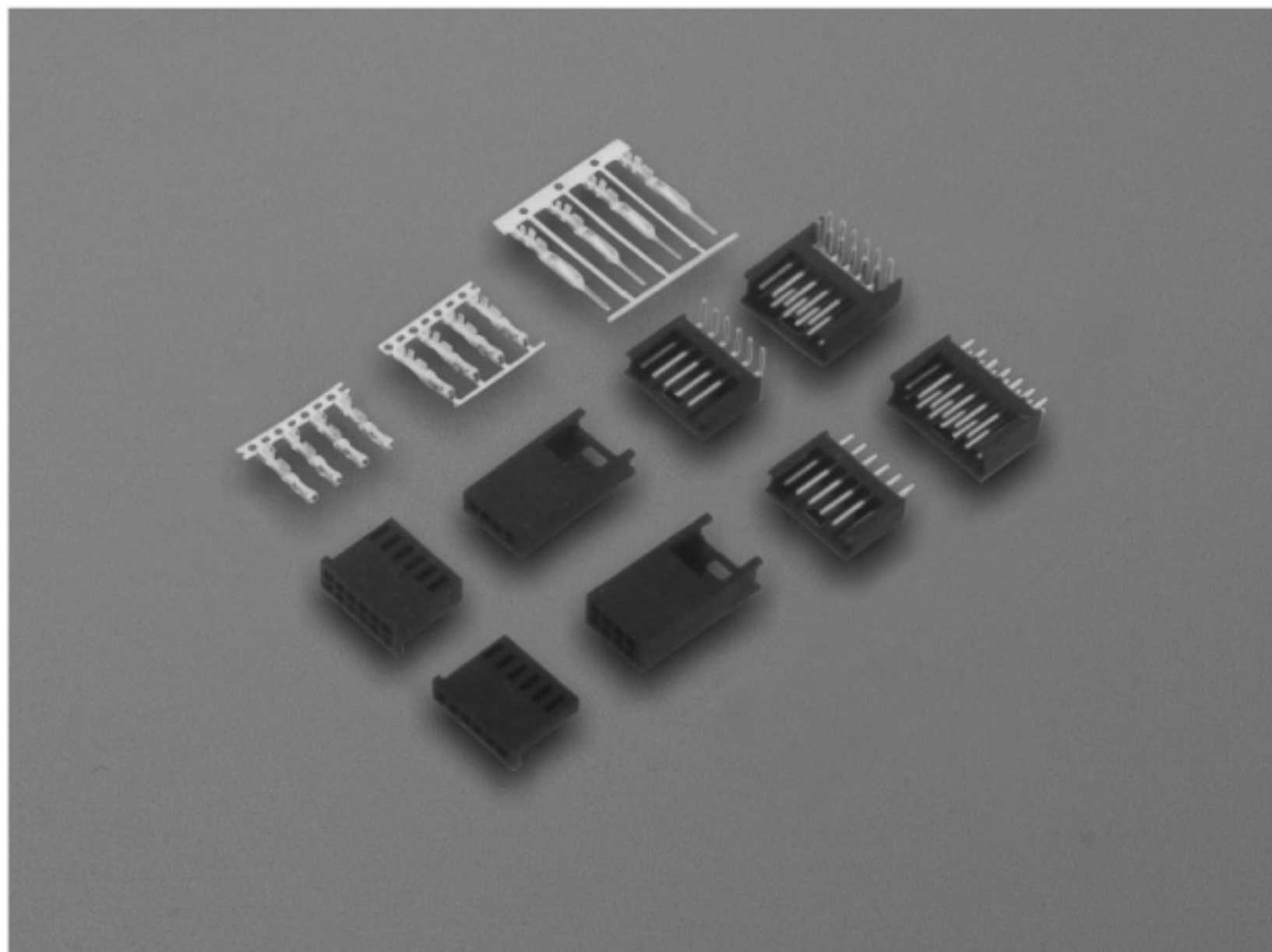


2549 SERIES

2.54mm PITCH WIRE TO BOARD CONNECTOR



Specifications

Current Rating: 3A AC ,DC

Voltage Rating: 250V AV,DC

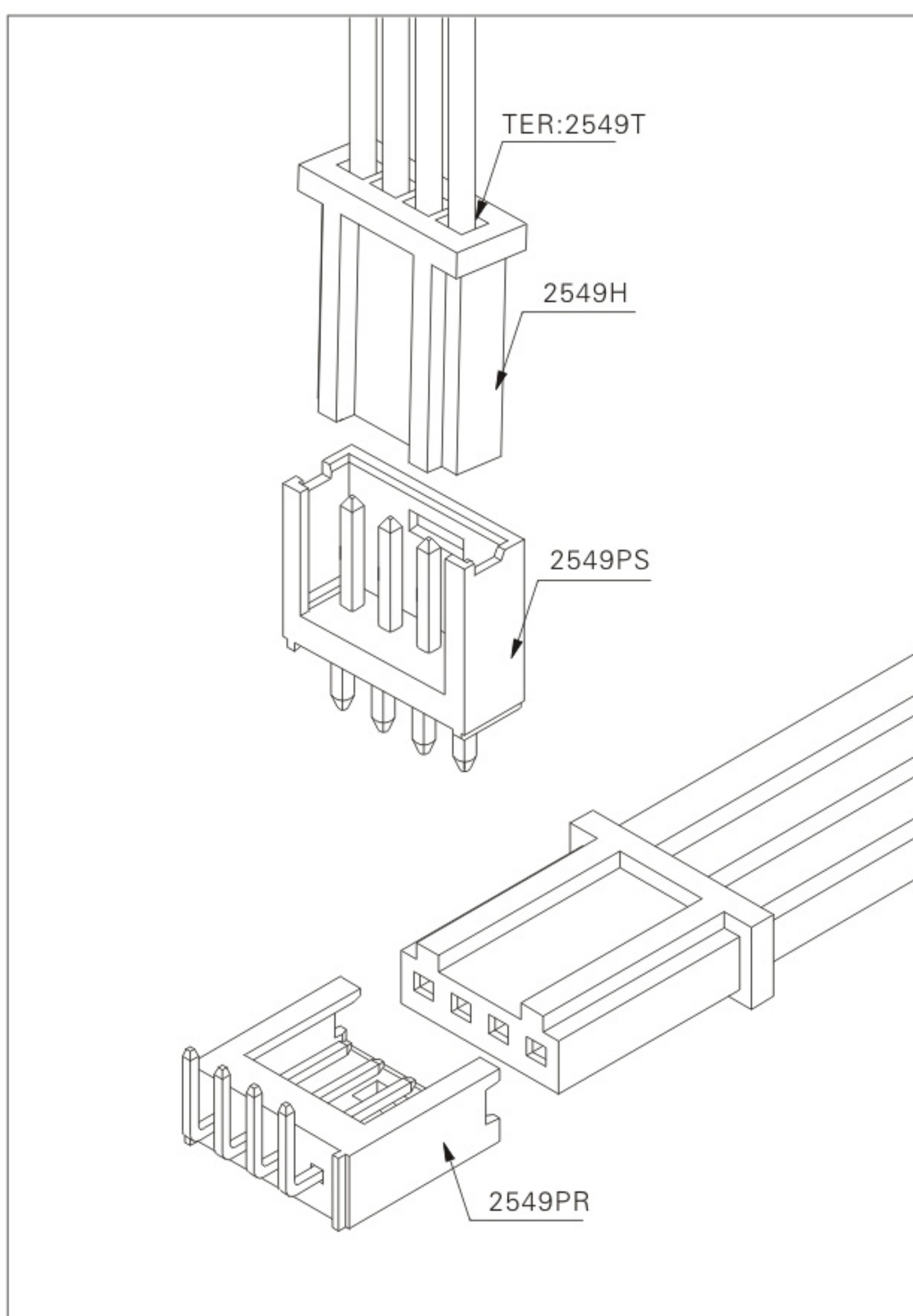
Temperature Range: -40°C~+105°C

Contact Resistance: 20mΩ Max.

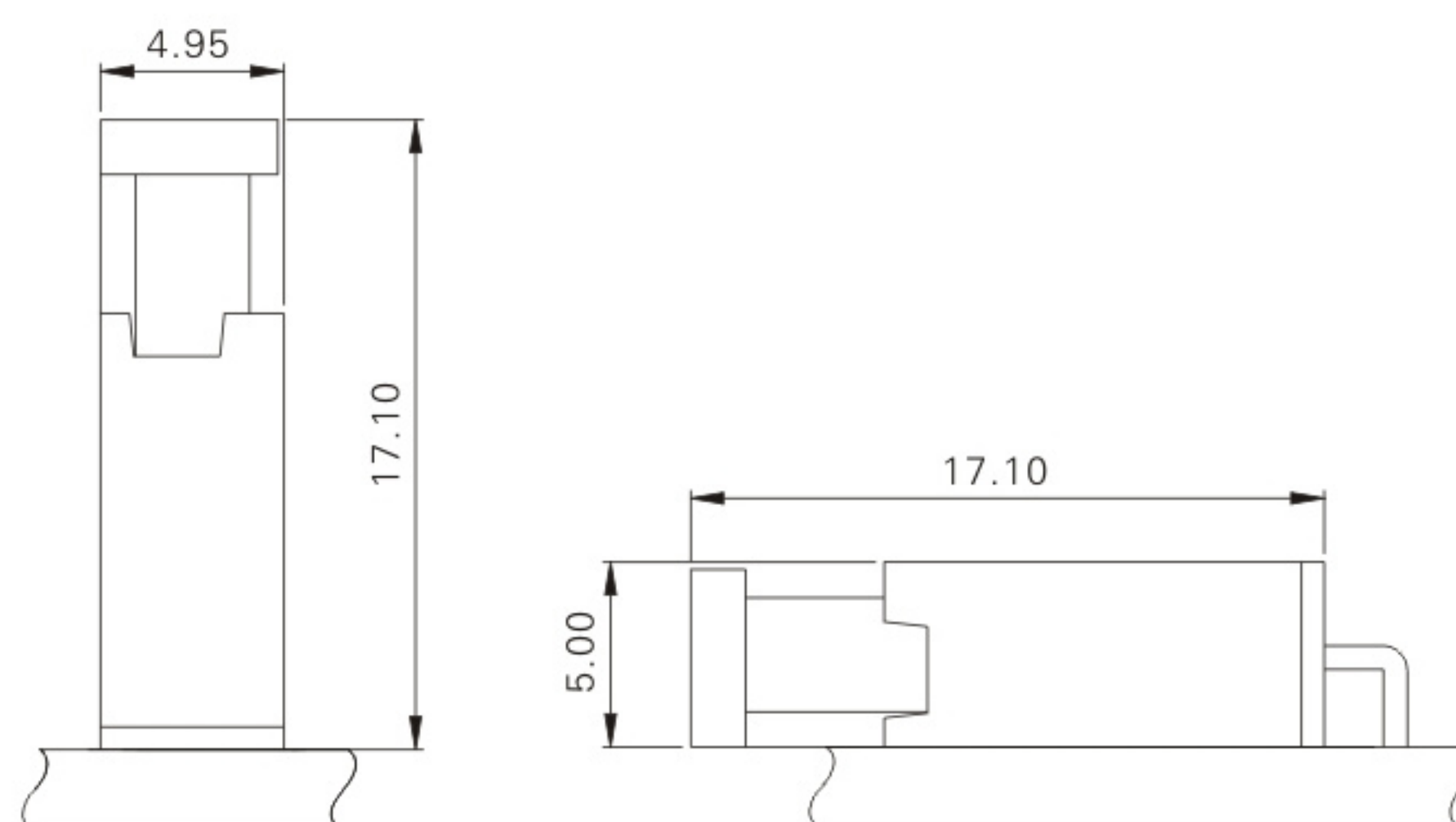
Insulation Resistance: 1000MΩ Min

Withstanding Voltage: 1000V AC/minute

Applicable Wire Range: AWG#22-#30



Assembly layout

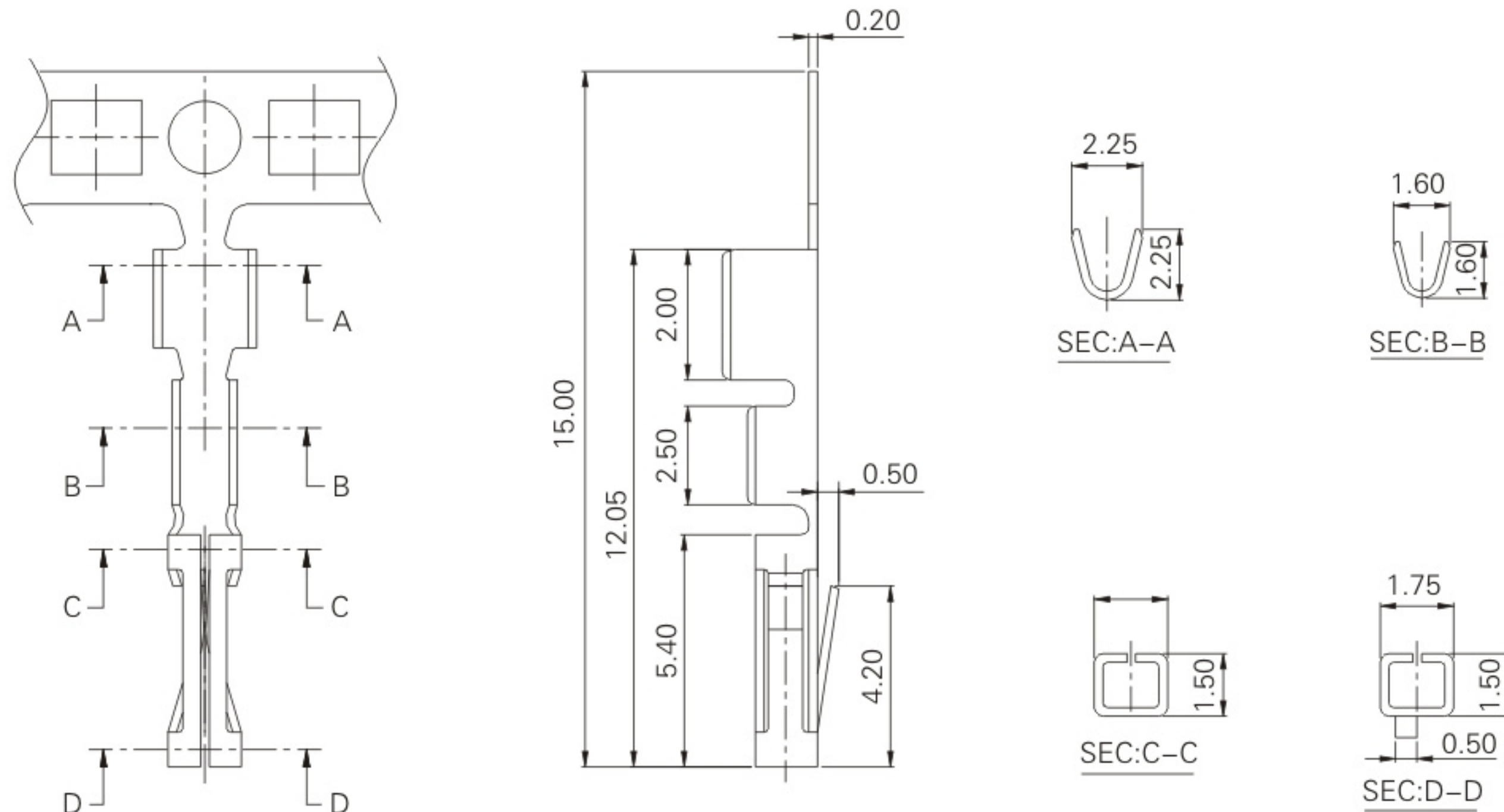


2549-T (2.54mm pitch crimp terminal)

Reference Informations:

*Material: Phosphor Bronze/Tin-plated

*Mates with 2549 series Housing



Ordering Information & Specifications

Unit: mm

Part No.	Wire Range	Insulation O.D.	Material	Finish	Qty/reel
2549P	AWG#22-#30	1.55mm(max)	Phosphor Bronze	Tin-plated	15.000pcs

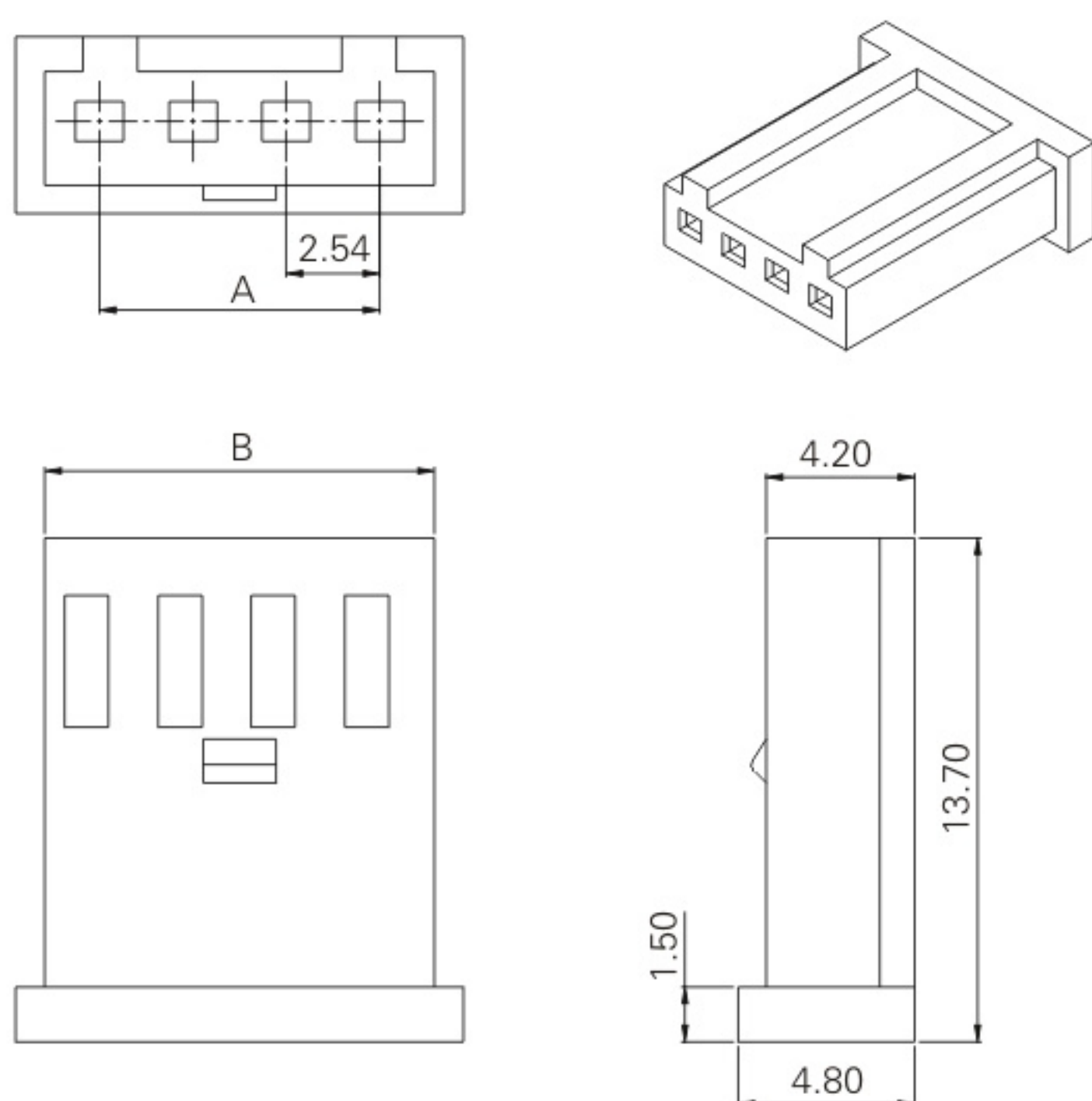
2549H-NP (2.54mm pitch crimp housing)

Reference Informations:

*Material:Housing:PBT UL94V-0/Black

*Suitable 2549-T series Terminal

*Mates with 2549PS & 2549PR series Wafer



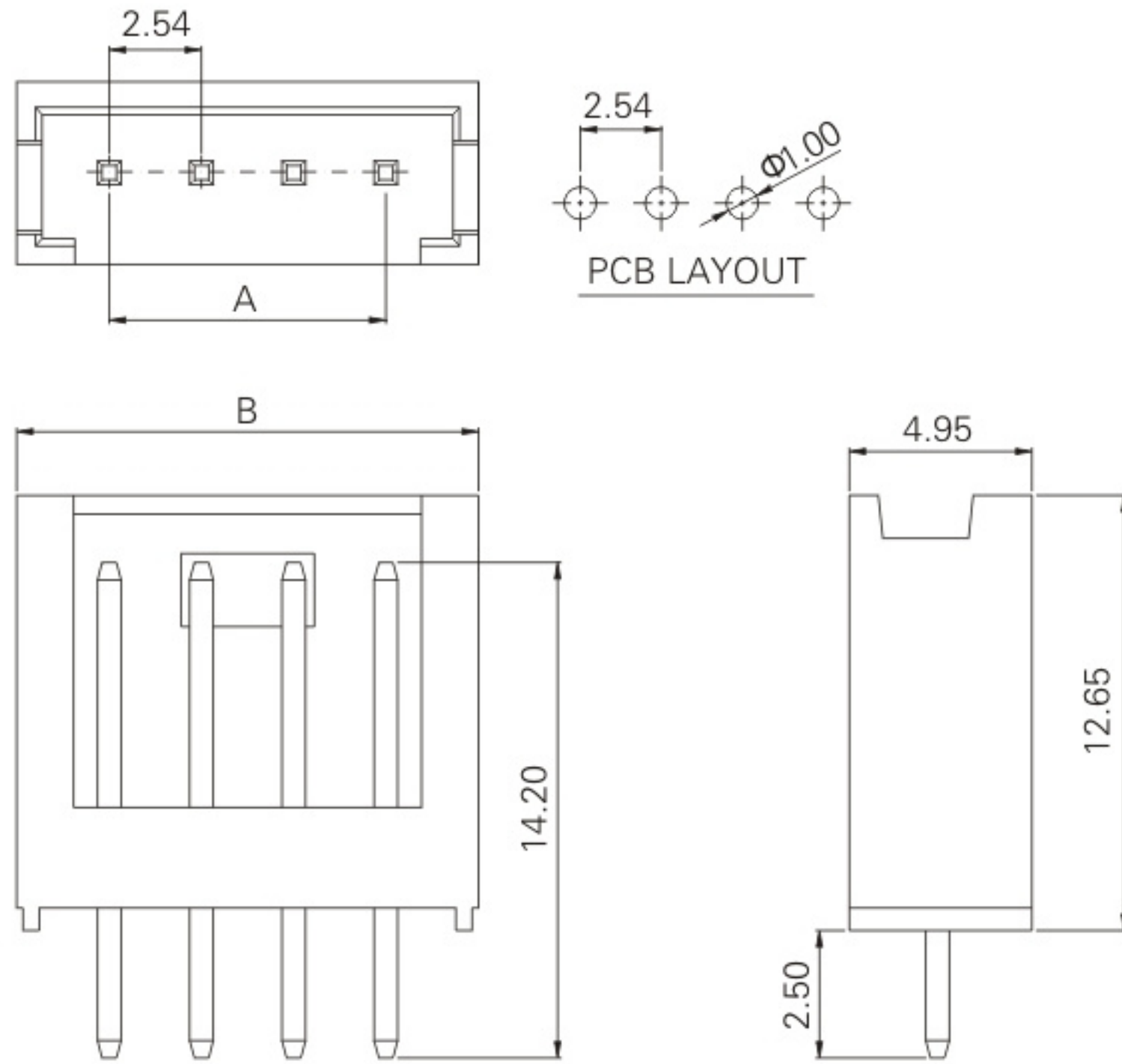
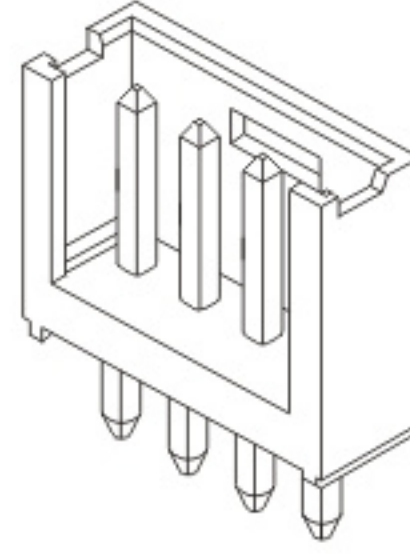
Ordering Information & Dimensions

Circuits	Part No.	DIM.(mm)	
		A	B
02	2549H-02P	2.54	5.60
03	2549H-03P	5.08	8.10
04	2549H-04P	7.62	10.60
05	2549H-05P	10.16	13.15
06	2549H-06P	12.70	15.70
07	2549H-07P	15.24	18.25
08	2549H-08P	17.78	20.80
09	2549H-09P	20.32	23.38
10	2549H-10P	22.86	25.92
11	2549H-11P	25.40	28.45
12	2549H-12P	27.94	31.00
13	2549H-13P	30.48	33.55
14	2549H-14P	32.02	36.10
15	2549H-15P	35.56	38.62
16	2549H-16P	38.10	41.20
17	2549H-17P	40.64	43.75
18	2549H-18P	43.18	46.30
19	2549H-19P	45.72	48.85
20	2549H-20P	48.26	51.40
21	2549H-21P	50.80	53.95

2549PS-NP (2.54mm Pitch 180° wafer)

Reference Informations:

- *Material:Pin:Brass/Tin plated
Wafer:PBT, UL94V-0 Black
- *Suitable 2549H series Housing



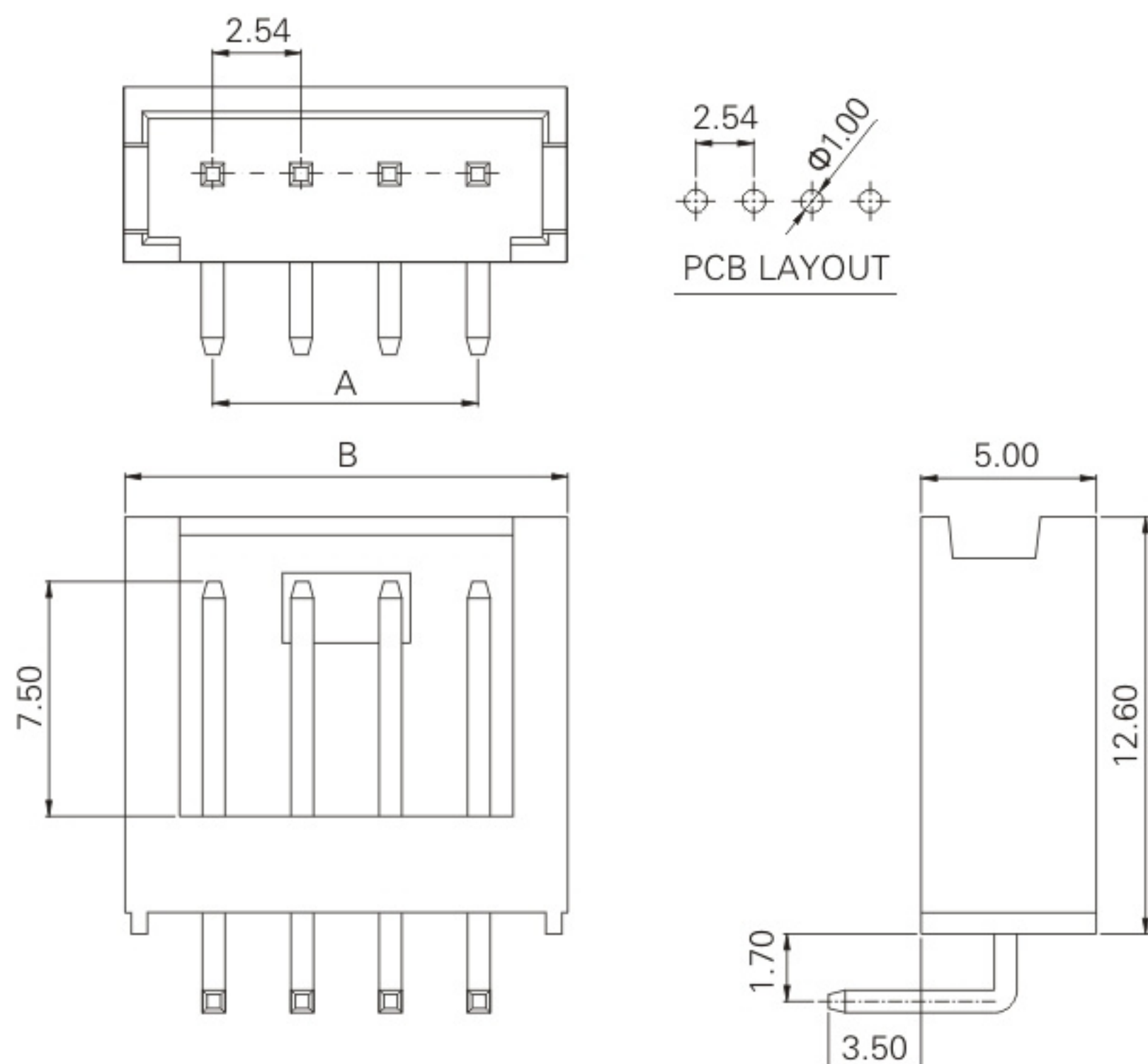
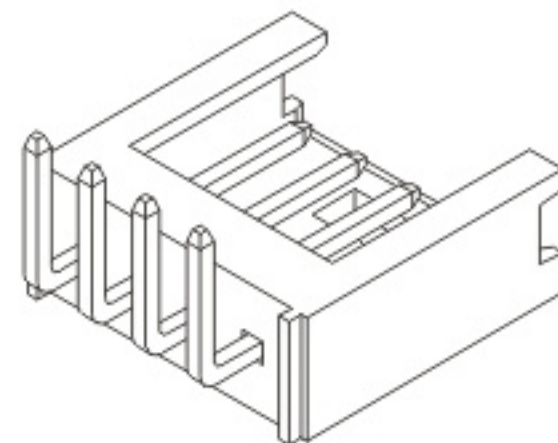
Ordering Information & Dimensions

Circuits	Part No.	DIM.(mm)	
		A	B
02	2549PS-02P	2.54	7.70
03	2549PS-03P	5.08	10.20
04	2549PS-04P	7.62	15.20
05	2549PS-05P	10.16	12.70
06	2549PS-06P	12.70	17.80
07	2549PS-07P	15.24	20.30
08	2549PS-08P	17.78	22.92
11	2549PS-11P	25.40	30.50
13	2549PS-13P	30.48	35.60
14	2549PS-14P	32.02	38.10
16	2549PS-16P	38.10	43.20
17	2549PS-17P	40.64	45.70
18	2549PS-18P	43.18	48.20
19	2549PS-19P	45.72	50.70
20	2549PS-20P	48.26	53.20
21	2549PS-21P	50.80	55.70

2549PR-NP (2.54mm pitch 90° wafer)

Reference Informations:

- *Material:Pin:Brass/Tin plated
Wafer:PBT, UL94V-0 Black
- *Suitable 2549H series Housing



Ordering Information & Dimensions

Circuits	Part No.	DIM.(mm)	
		A	B
02	2549PR-02P	2.54	7.70
04	2549PR-04P	7.62	15.20
06	2549PR-06P	12.70	17.80
08	2549PR-08P	17.78	22.92
10	2549PR-10P	22.86	28.00