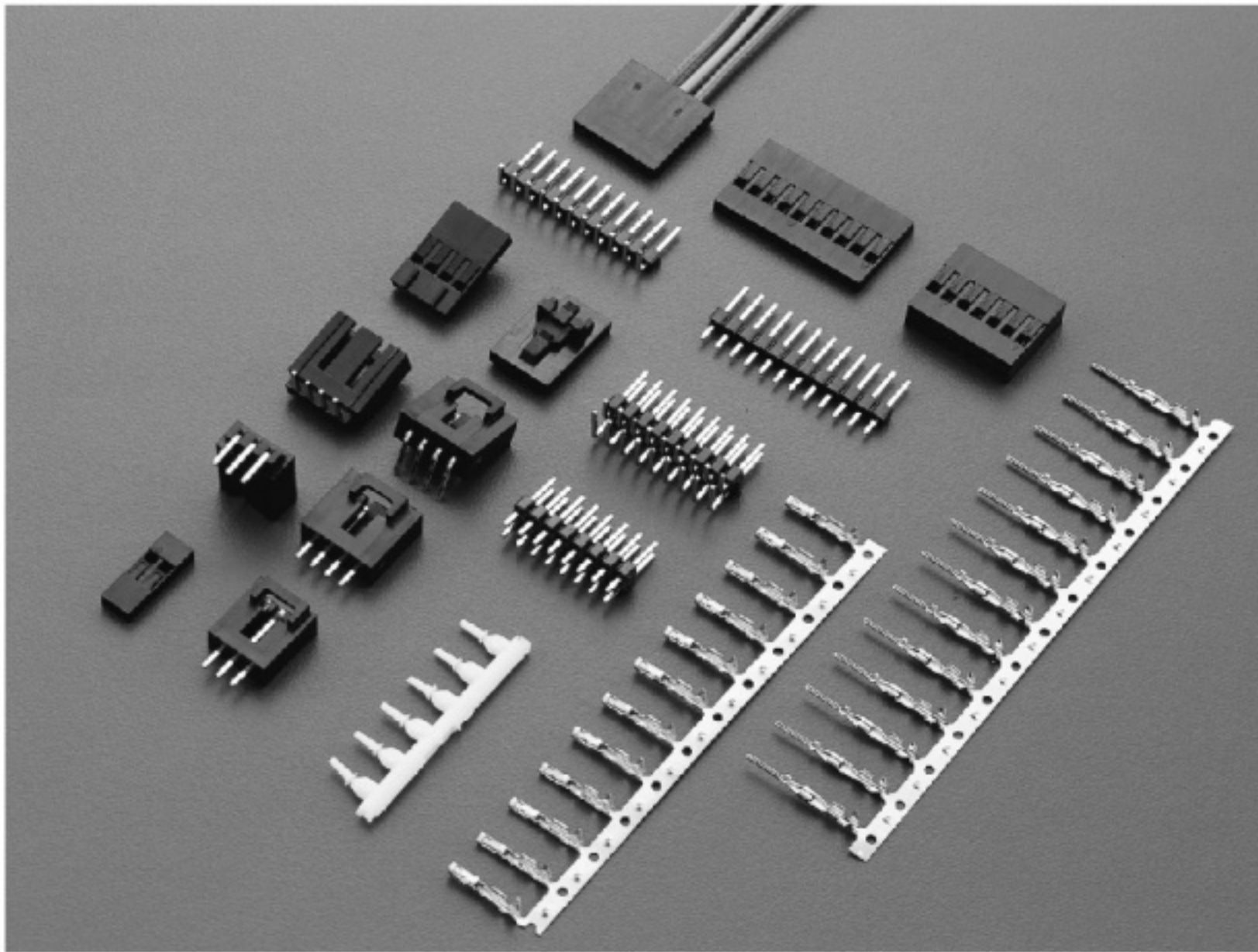


2561H SERIES

2.54mm PITCH WIRE TO BOARD CONNECTOR



Specifications

Current rating: 3A AC,DC

Voltage rating: 250V AC,DC

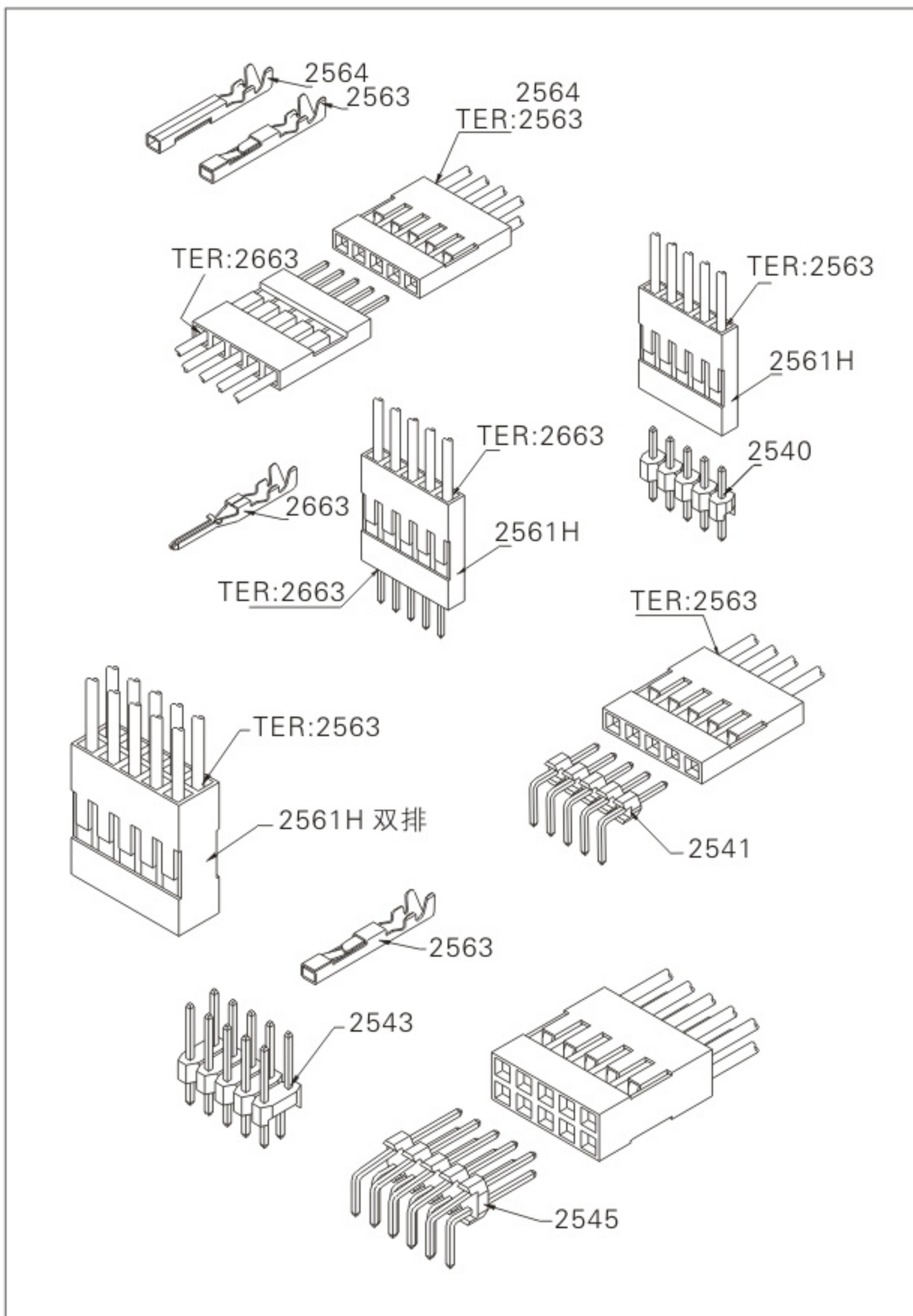
Temperature range: -25°C to +85°C
(including temperature rise)

Contact resistance: Initial value/ 10m Ω Max.
After environmental testing/20m Ω Max.

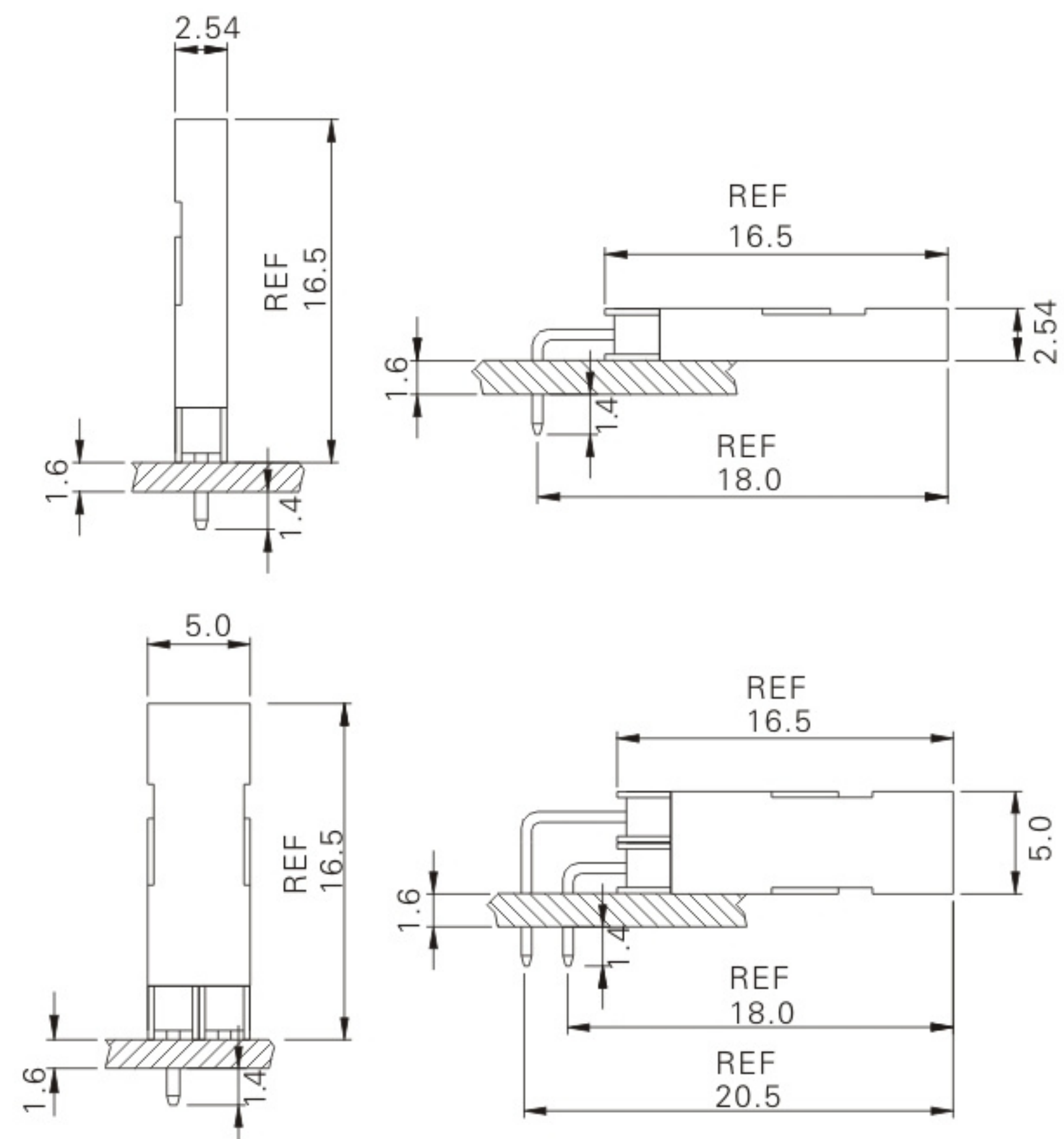
Insulation resistance: 500 M Ω Min.

Withstanding voltage: 1000 V AC/minute

Applicable wire: AWG#24-#28



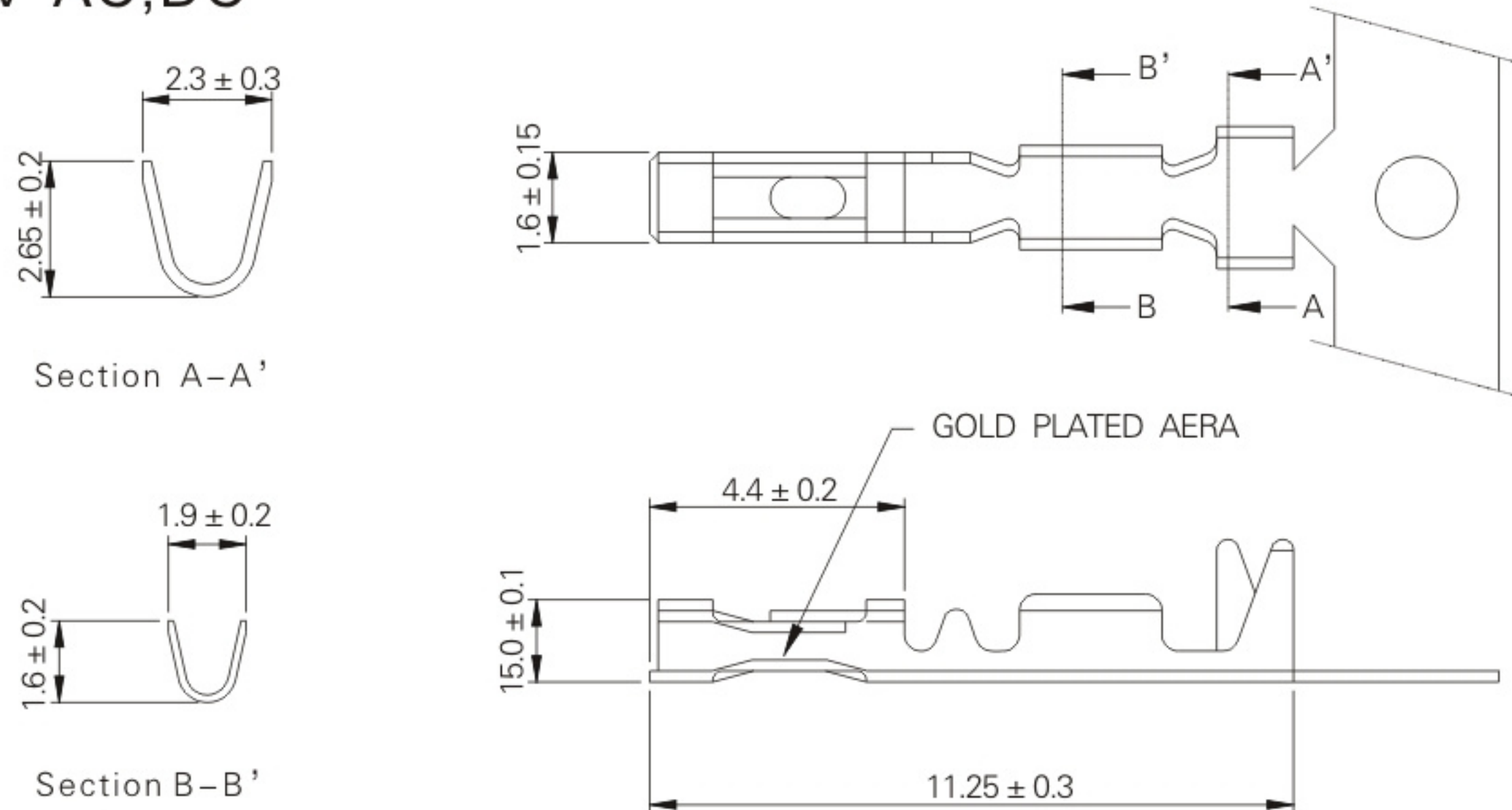
Assembly layout



2563-T (2.54mm pitch crimp terminal)

Reference Informations:

- *Mat'l: Brass Tin Plated
- *Thickness:0.2mm
- *Applicable Wire:AWG#24-#26
- *Current Rating:3A AC,DC
- *Voltage Rating:250V AC,DC



Ordering Information & Specifications

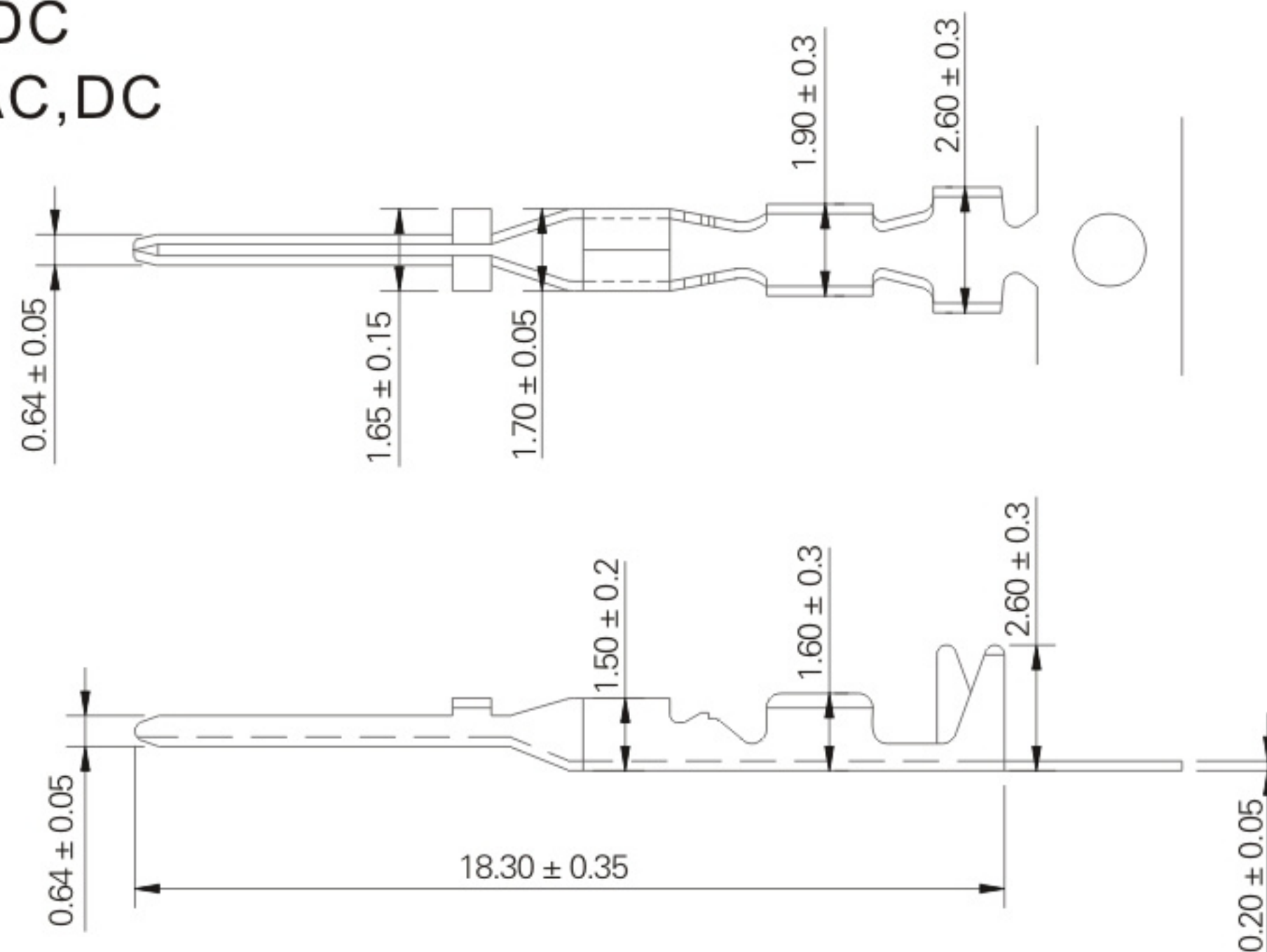
unit:mm

Part No	Wire Range	Insulation O.D.	Material	Finish	Qty/reel
2563T-00	AWG#24-26	Φ 1.2~Φ 1.0	Brass	Gold Plated-Over Nickel	10,000
2563T	AWG#24-26	Φ 1.2~Φ 1.0	Brass	Tin plated	10,000

2663-T (2.54mm pitch crimp terminal)

Reference Informations:

- *Mat'l: Brass Tin Plated
- *Thickness:0.2mm
- *Applicable Wire:AWG#24-#26
- *Current Rating:3A AC,DC
- *Voltage Rating:250V AC,DC



Ordering Information & Specifications

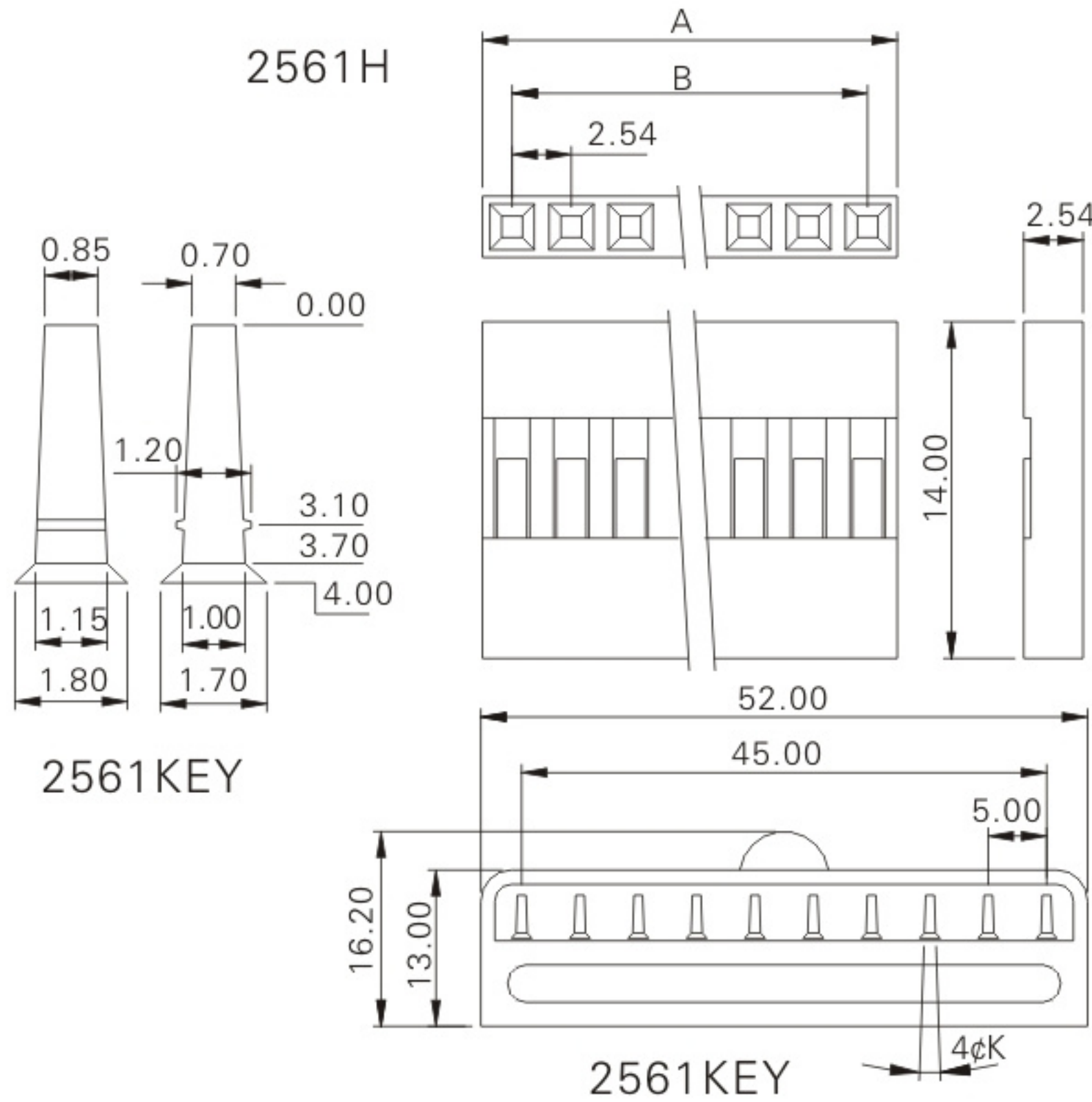
unit:mm

Part No	Wire Range	Insulation O.D.	Material	Finish	Qty/reel
2663T-00	AWG#24-26	Φ 1.2~Φ 1.0	Brass	Gold Plated-Over Nickel	10,000
2663T	AWG#24-26	Φ 1.2~Φ 1.0	Brass	Tin plated	10,000

2561H 2561KEY (2.54mm pitch crimp housing and safety pin key)

Reference Informations:

- *Mat'l: Nylon 66 UL 94V-0
- *Mates With: 2563 2564 series Terminal
- *Accepts With: 2540 & 2541 series Wafer



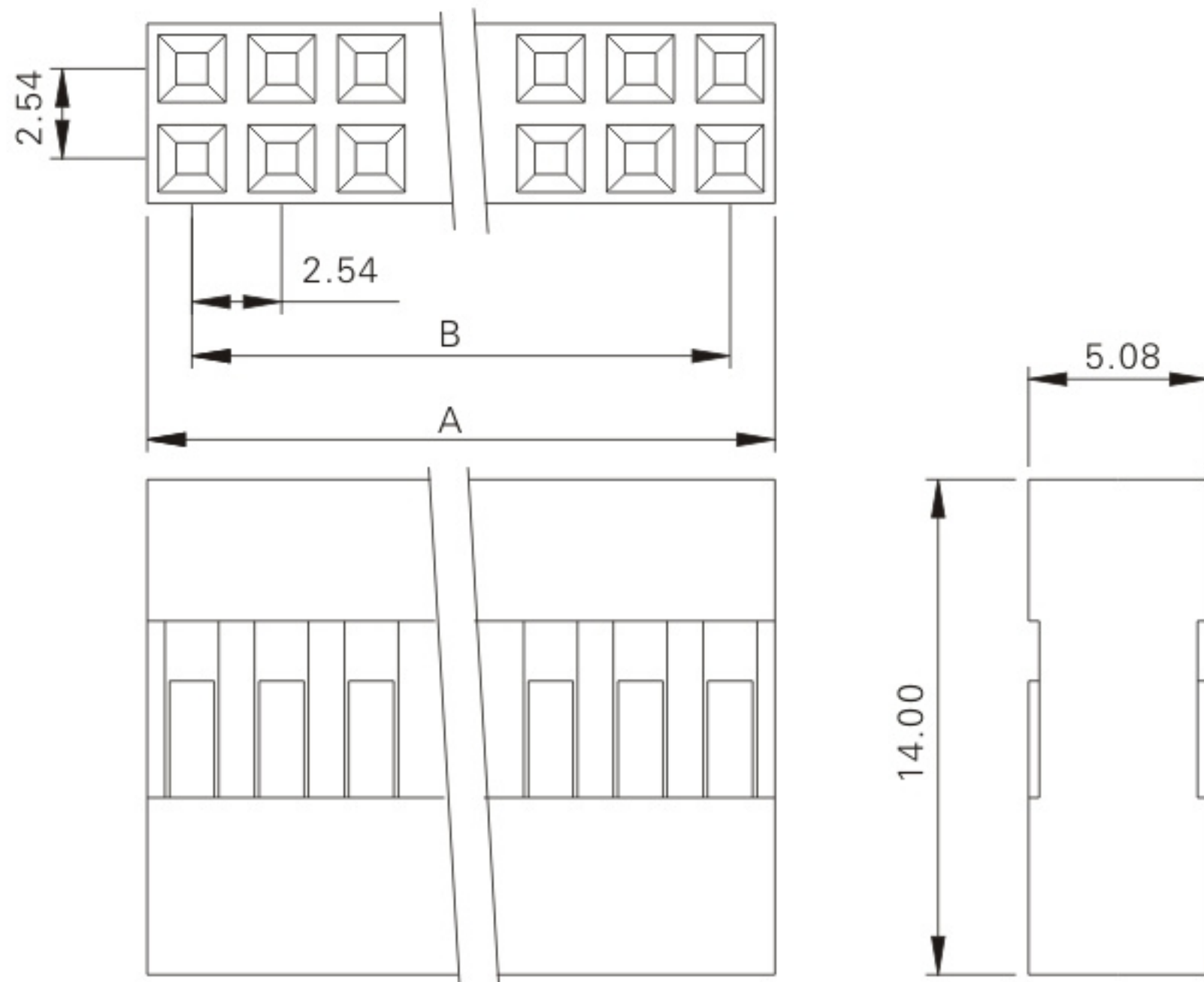
Ordering Information & Dimensions

Circuits	Part No.	DIM.(mm)		Circuits	Part No.	DIM.(mm)	
		A	B			A	B
01	2561H-01	2.54	0.00	21	2561H-21	53.34	50.80
02	2561H-02	5.08	2.54	22	2561H-22	55.88	53.34
03	2561H-03	7.62	5.08	23	2561H-23	58.42	55.88
04	2561H-04	10.16	7.62	24	2561H-24	60.96	58.42
05	2561H-05	12.70	10.16	25	2561H-25	63.05	60.96
06	2561H-06	15.24	12.70	26	2561H-26	66.04	63.05
07	2561H-07	17.78	15.24	27	2561H-27	68.58	66.04
08	2561H-08	20.32	17.78	28	2561H-28	71.12	68.58
09	2561H-09	22.86	20.32	29	2561H-29	73.66	71.12
10	2561H-10	25.40	22.86	30	2561H-30	76.20	73.66
11	2561H-11	27.94	25.40	31	2561H-31	78.74	76.20
12	2561H-12	30.48	27.94	32	2561H-32	81.28	78.74
13	2561H-13	33.02	30.48	33	2561H-33	83.82	81.28
14	2561H-14	35.56	33.02	34	2561H-34	86.36	83.82
15	2561H-15	38.10	35.56	35	2561H-35	88.90	86.36
16	2561H-16	40.64	38.10	36	2561H-36	91.44	88.90
17	2561H-17	43.18	40.64	37	2561H-37	93.98	91.44
18	2561H-18	45.72	43.18	38	2561H-38	96.52	93.98
19	2561H-19	48.26	45.72	39	2561H-39	99.06	96.52
20	2561H-20	50.80	48.26	40	2561H-40	101.6	99.06

2561H-2XNP (2.54mm pitch crimp housing)

Reference Informations:

- *Mat'l: Nylon 66 UL 94V-0
- *Mates With: 2563 2564 series Terminal
- *Accepts With: 2543 & 2545 series Wafer



Ordering Information & Dimensions

Circuits	Part No.	DIM.(mm)	
		A	B
04	2561H-2X02P	5.08	2.54
06	2561H-2X03P	7.62	5.08
08	2561H-2X04P	10.16	7.62
10	2561H-2X05P	12.70	10.16
12	2561H-2X06P	15.24	12.70
14	2561H-2X07P	17.78	15.24
16	2561H-2X08P	20.32	17.78
18	2561H-2X09P	22.86	20.32
20	2561H-2X10P	25.40	22.86
22	2561H-2X11P	27.94	25.40
24	2561H-2X12P	30.48	27.94
26	2561H-2X13P	33.02	30.48
28	2561H-2X14P	35.56	33.02
30	2561H-2X15P	38.10	35.56
32	2561H-2X16P	40.64	38.10
34	2561H-2X17P	43.18	40.64
36	2561H-2X18P	45.72	43.18
38	2561H-2X19P	48.26	45.72
40	2561H-2X20P	50.80	48.26

2540&2543PS-NP (2.54mm pitch 180° single row and dual row wafer)

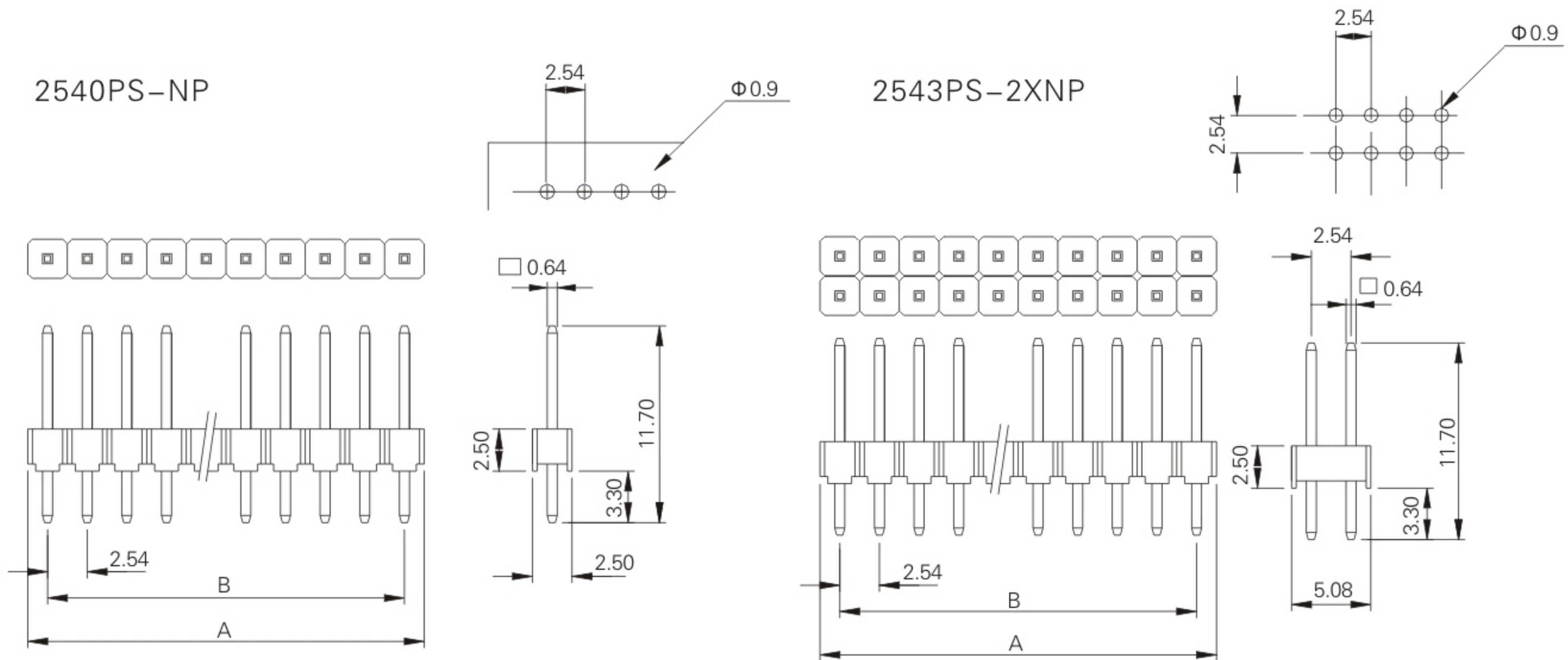
Reference Informations:

*Mat'l: Body: PBT 94V-0

Pins: Brass Gold Plated

*Mates With: 2551 2563 2564 series Terminal

*Accepts With: 2561 2550 & 2562H series Housing



Ordering Information & Dimensions

Circuits	Part No.	DIM.(mm)		Circuits	Part No.	DIM.(mm)		Circuits	Part No.	DIM.(mm)		Circuits	Part No.	DIM.(mm)	
		A	B			A	B			A	B			A	B
02	2540-02	5.08	2.54	22	2540-22	55.88	53.34	04	2543-04(2X2)	5.08	2.54	44	2543-44(2X22)	55.88	53.34
03	2540-03	7.62	5.08	23	2540-23	58.42	55.88	06	2543-06(2X3)	7.62	5.08	46	2543-46(2X23)	58.42	55.88
04	2540-04	10.16	7.62	24	2540-24	60.96	58.42	08	2543-08(2X4)	10.16	7.62	48	2543-48(2X24)	60.96	58.42
05	2540-05	12.70	10.16	25	2540-25	63.05	60.96	10	2543-10(2X5)	12.70	10.16	50	2543-50(2X25)	63.05	60.96
06	2540-06	15.24	12.70	26	2540-26	66.04	63.05	12	2543-12(2X6)	15.24	12.70	52	2543-52(2X26)	66.04	63.05
07	2540-07	17.78	15.24	27	2540-27	68.58	66.04	14	2543-14(2X7)	17.78	15.24	54	2543-54(2X27)	68.58	66.04
08	2540-08	20.32	17.78	28	2540-28	71.12	68.58	16	2543-16(2X8)	20.32	17.78	56	2543-56(2X28)	71.12	68.58
09	2540-09	22.86	20.32	29	2540-29	73.66	71.12	18	2543-18(2X9)	22.86	20.32	58	2543-58(2X29)	73.66	71.12
10	2540-10	25.40	22.86	30	2540-30	76.20	73.66	20	2543-20(2X10)	25.40	22.86	60	2543-60(2X30)	76.20	73.66
11	2540-11	27.94	25.40	31	2540-31	78.74	76.20	22	2543-22(2X11)	27.94	25.40	32	2543-62(2X31)	78.74	76.20
12	2540-12	30.48	27.94	32	2540-32	81.28	78.74	24	2543-24(2X12)	30.48	27.94	64	2543-64(2X32)	81.28	78.74
13	2540-13	33.02	30.48	33	2540-33	83.82	81.28	26	2543-26(2X13)	33.02	30.48	66	2543-66(2X33)	83.82	81.28
14	2540-14	35.56	33.02	34	2540-34	86.36	83.82	28	2543-28(2X14)	35.56	33.02	68	2543-68(2X34)	86.36	83.82
15	2540-15	38.10	35.56	35	2540-35	88.90	86.36	30	2543-30(2X15)	38.10	35.56	70	2543-70(2X35)	88.90	86.36
16	2540-16	40.64	38.10	36	2540-36	91.44	88.90	32	2543-32(2X16)	40.64	38.10	72	2543-72(2X36)	91.44	88.90
17	2540-17	43.18	40.64	37	2540-37	93.98	91.44	34	2543-34(2X17)	43.18	40.64	74	2543-74(2X37)	93.98	91.44
18	2540-18	45.72	43.18	38	2540-38	96.52	93.98	36	2543-36(2X18)	45.72	43.18	76	2543-76(2X38)	96.52	93.98
19	2540-19	48.26	45.72	39	2540-39	99.06	96.52	38	2543-38(2X19)	48.26	45.72	78	2543-78(2X39)	99.06	96.52
20	2540-20	50.80	48.26	40	2540-40	101.60	99.06	40	2543-40(2X20)	50.80	48.26	80	2543-80(2X40)	101.60	99.06
21	2540-21	53.34	50.80					42	2543-42(2X21)	53.34	50.80				

2541&2545PR-NP (2.54mm pitch 90° single row and dual row wafer)

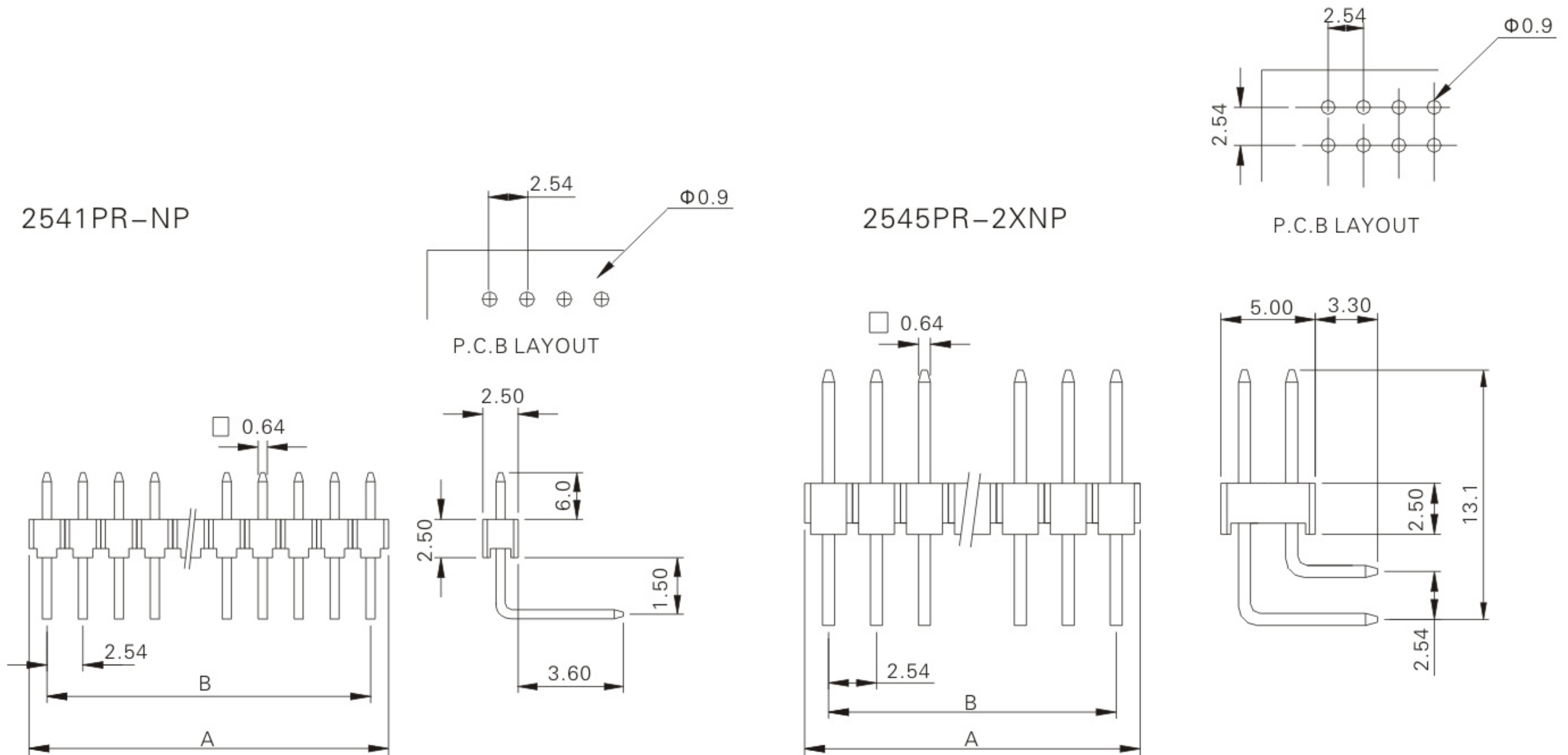
Reference Informations:

*Mat'l: Body: PBT 94V-0

Pins: Brass Gold Plated

*Mates With: 2551 2563 2564 series Terminal

*Accepts With: 2550 2561H & 2562H series Housing



Ordering Information & Dimensions

Circuits	Part No.	DIM.(mm)		Circuits	Part No.	DIM.(mm)		Circuits	Part No.	DIM.(mm)	
		A	B			A	B			A	B
02	2541-02	5.08	2.54	22	2541-22	55.88	53.34	04	2545-04(2X2)	5.08	2.54
03	2541-03	7.62	5.08	23	2541-23	58.42	55.88	06	2545-06(2X3)	7.62	5.08
04	2541-04	10.16	7.62	24	2541-24	60.96	58.42	08	2545-08(2X4)	10.16	7.62
05	2541-05	12.70	10.16	25	2541-25	63.05	60.96	10	2545-10(2X5)	12.70	10.16
06	2541-06	15.24	12.70	26	2541-26	66.04	63.05	12	2545-12(2X6)	15.24	12.70
07	2541-07	17.78	15.24	27	2541-27	68.58	66.04	14	2545-14(2X7)	17.78	15.24
08	2541-08	20.32	17.78	28	2541-28	71.12	68.58	16	2545-16(2X8)	20.32	17.78
09	2541-09	22.86	20.32	29	2541-29	73.66	71.12	18	2545-18(2X9)	22.86	20.32
10	2541-10	25.40	22.86	30	2541-30	76.20	73.66	20	2545-20(2X10)	25.40	22.86
11	2541-11	27.94	25.40	31	2541-31	78.74	76.20	22	2545-22(2X11)	27.94	25.40
12	2541-12	30.48	27.94	32	2541-32	81.28	78.74	24	2545-24(2X12)	30.48	27.94
13	2541-13	33.02	30.48	33	2541-33	83.82	81.28	26	2545-26(2X13)	33.02	30.48
14	2541-14	35.56	33.02	34	2541-34	86.36	83.82	28	2545-28(2X14)	35.56	33.02
15	2541-15	38.10	35.56	35	2541-35	88.90	86.36	30	2545-30(2X15)	38.10	35.56
16	2541-16	40.64	38.10	36	2541-36	91.44	88.90	32	2545-32(2X16)	40.64	38.10
17	2541-17	43.18	40.64	37	2541-37	93.98	91.44	34	2545-34(2X17)	43.18	40.64
18	2541-18	45.72	43.18	38	2541-38	96.52	93.98	36	2545-36(2X18)	45.72	43.18
19	2541-19	48.26	45.72	39	2541-39	99.06	96.52	38	2545-38(2X19)	48.26	45.72
20	2541-20	50.80	48.26	40	2541-40	101.60	99.06	40	2545-40(2X20)	50.80	48.26
21	2541-21	53.34	50.80					42	2545-42(2X21)	53.34	50.80