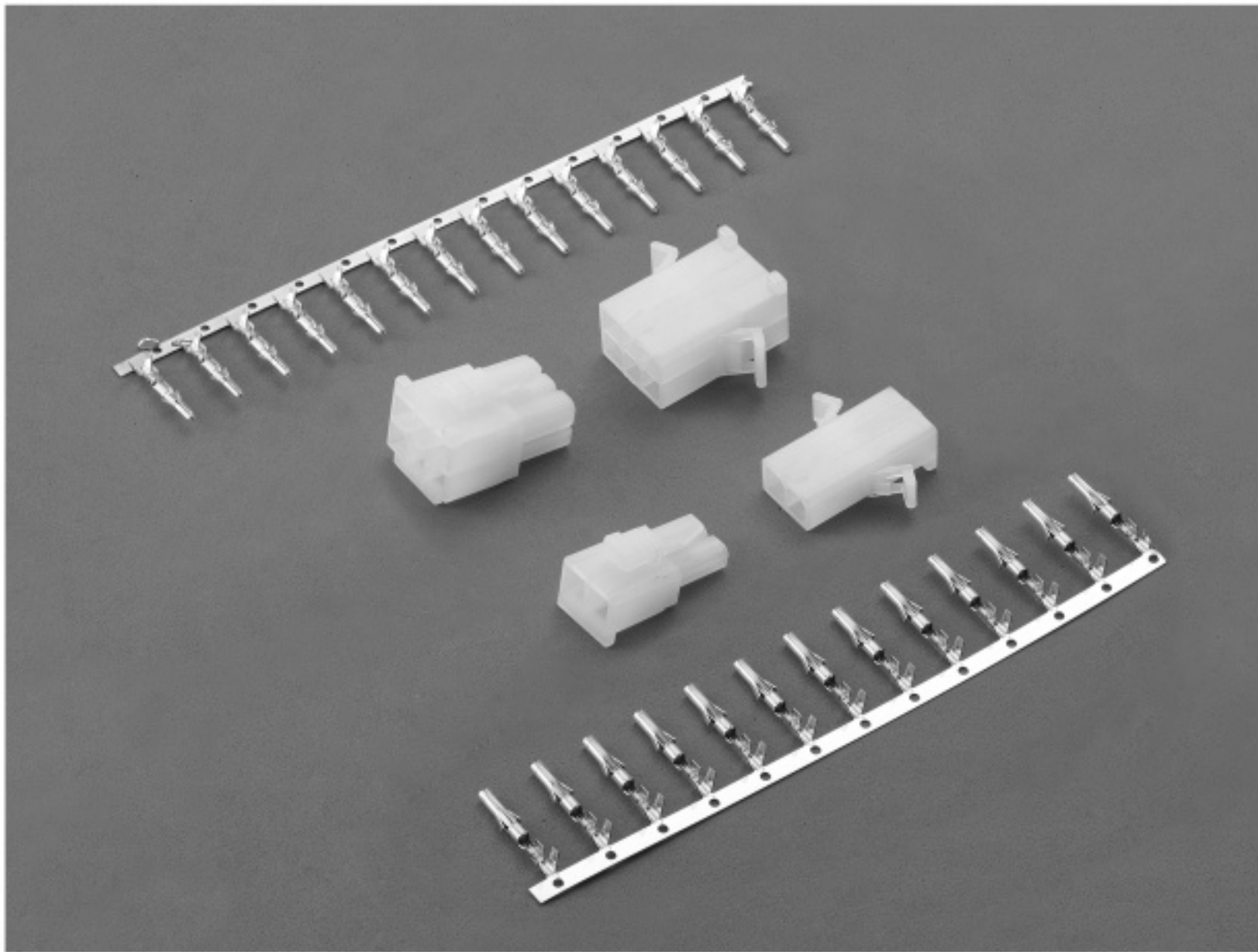


# E058H-A/E158H-A SERIES

4.80mm PITCH WIRE TO WIRE CONNECTOR



## Specifications

Current rating: 4 A AC,DC

Voltage rating: 250V AC,DC

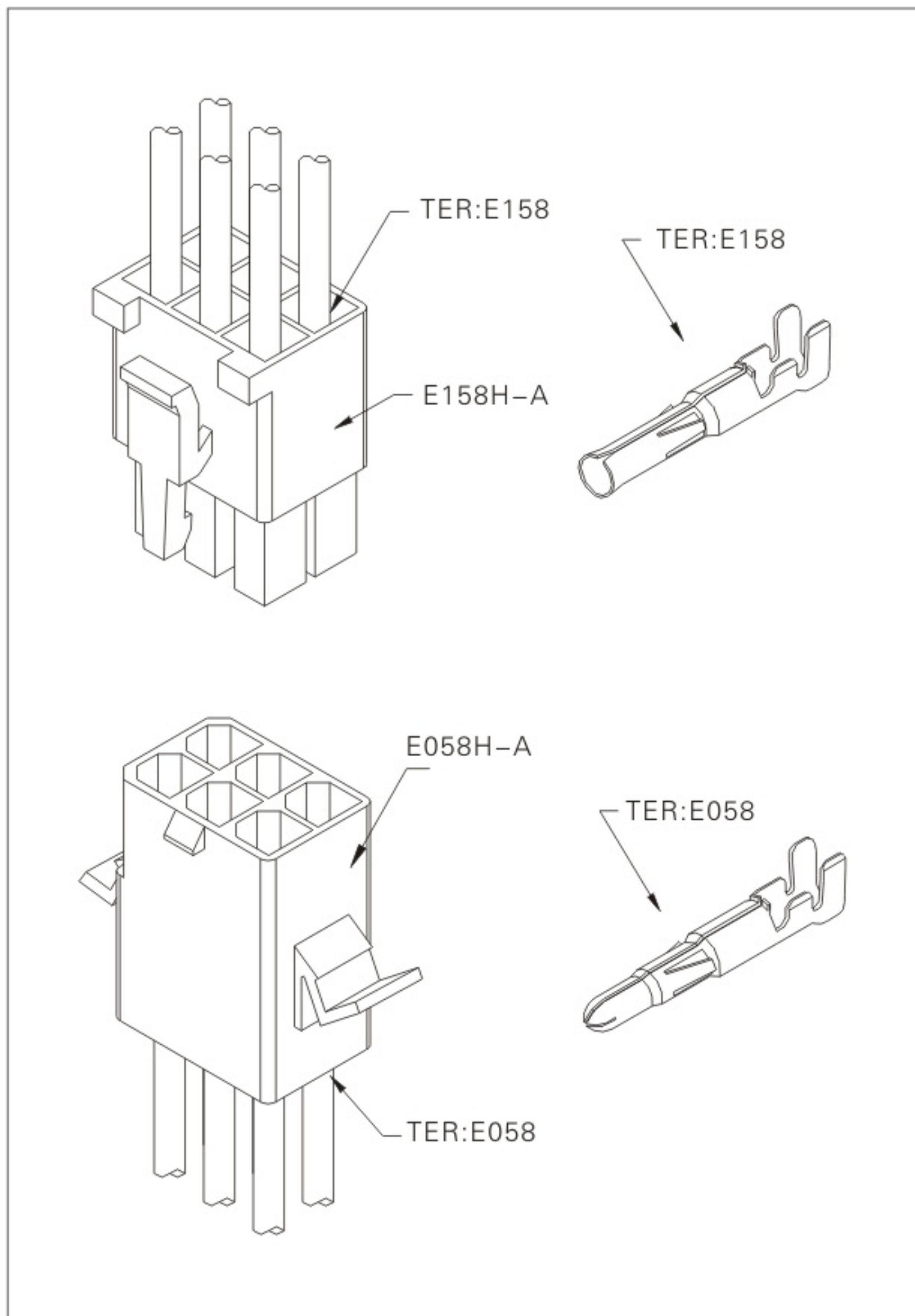
Temperature range: -25°C to +85°C  
(including temperature rise)

Contact resistance: Initial value/ 10m  $\Omega$  Max.  
After environmental testing/20m  $\Omega$  Max.

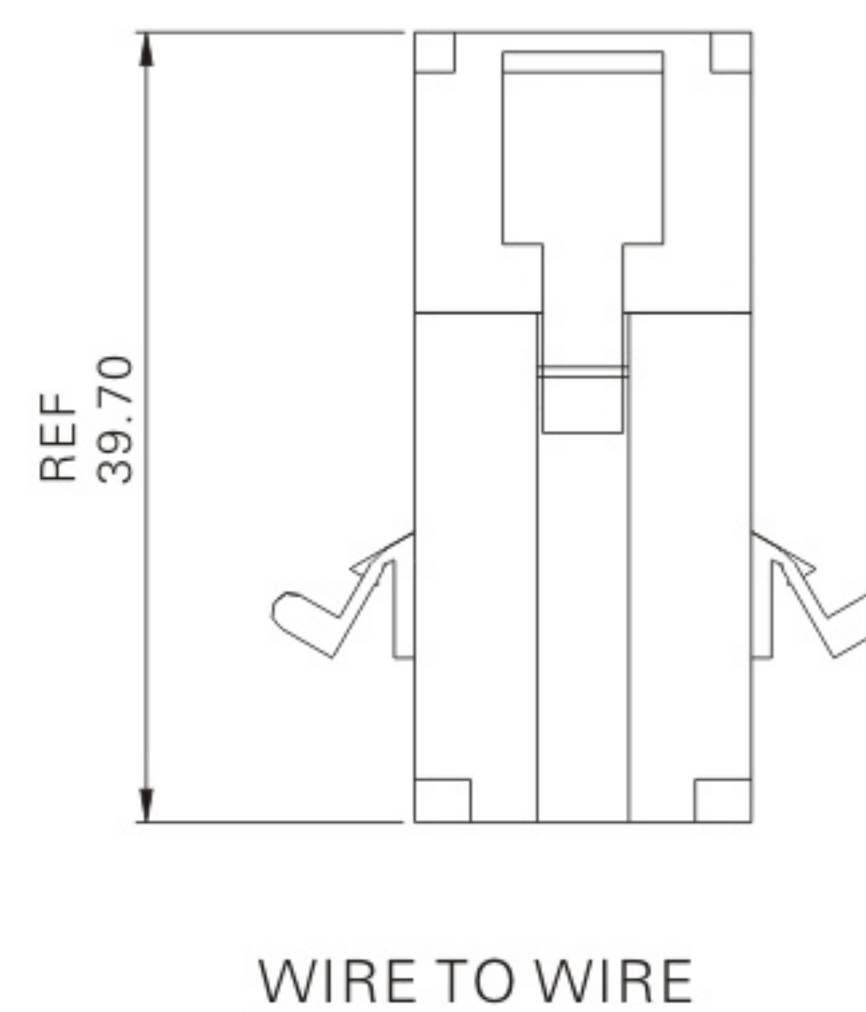
Insulation resistance: 1000M  $\Omega$  Min.

Withstanding voltage: 1500V AC/minute

Applicable wire: AWG#18-#22



## Assembly layout



## E058H-A (4.8mm pitch series housing)

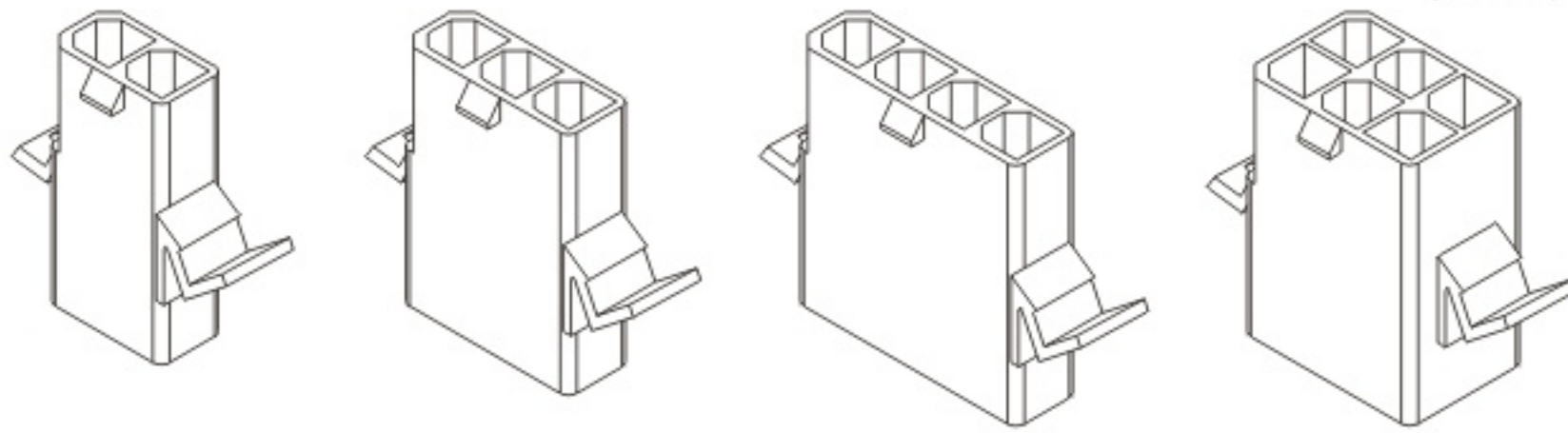
### Reference Informations:

\* Mat'l: Nylon66 UL94-V2

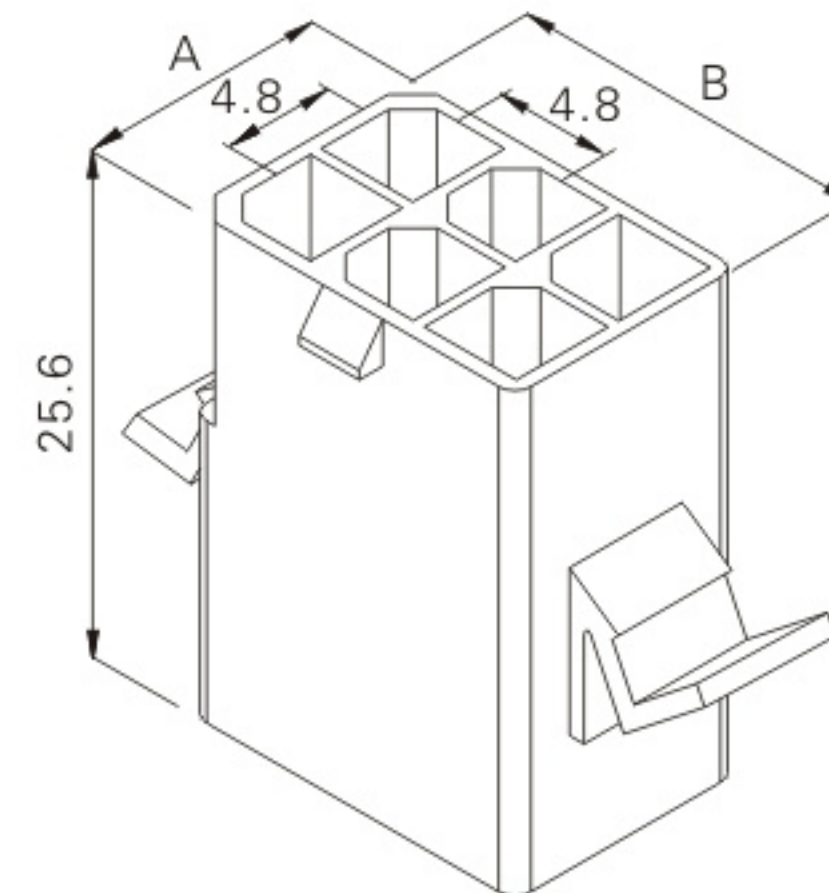
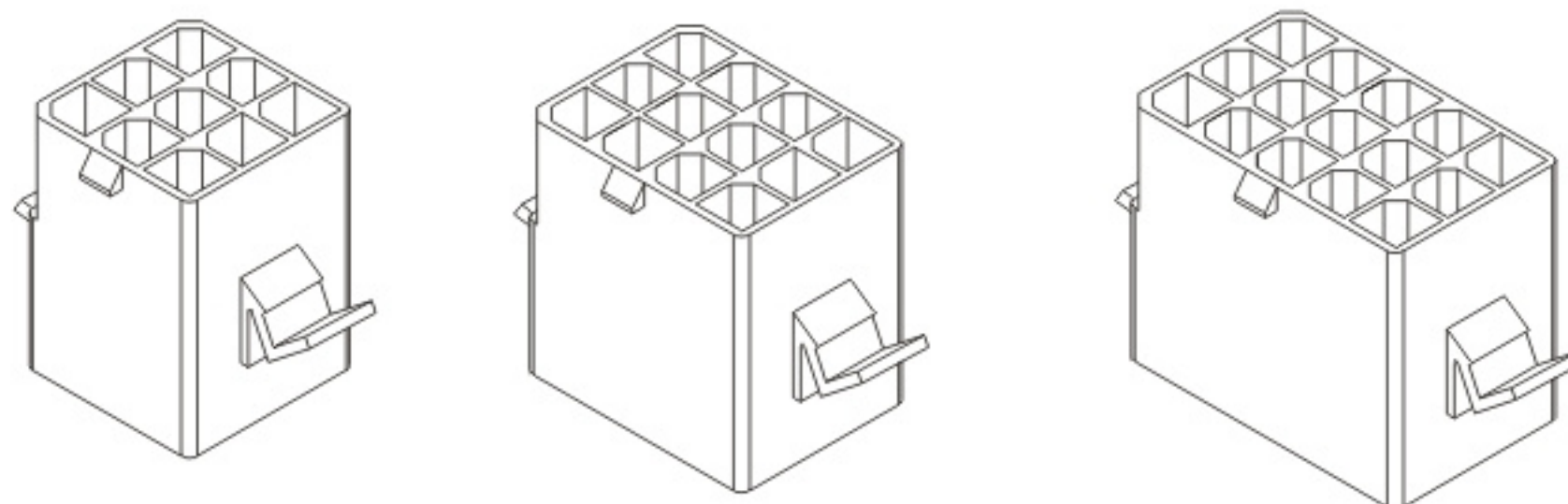
\* Mates With: E058  
Series Terminal

\* Mates With: E158-A  
Series Housing

E058-02A(45) E058-03A(45) E058-04A(45) E058H-06A(45)  
(2X3)



E058H-09A(45) E058H-12A(45) E058H-15A(45)  
(3X3) (3X4) (3X5)



### Ordering Information & Dimensions

Circuits	Part No.	DIM.(mm)	
		A	B
02	E058H-02A(1X2)	7.2	12.0
03	E058H-03A(1X3)	7.2	16.8
04	E058H-04A(1X4)	7.2	21.6
06	E058H-06A(2X3)	12.0	16.8
09	E058H-09A(3X3)	16.8	16.8
12	E058H-12A(3X4)	16.8	21.6
15	E058H-15A(3X5)	16.8	26.5

## E158H-A (4.8mm pitch series housing)

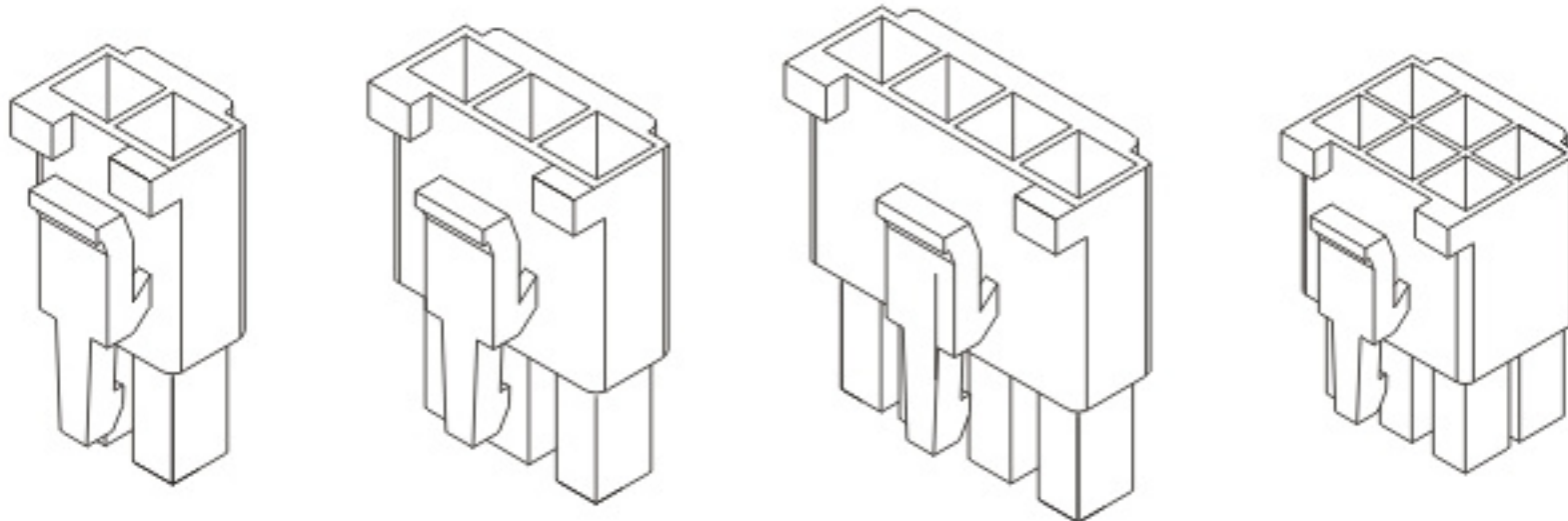
### Reference Informations:

\* Mat'l: Nylon66 UL94-V2

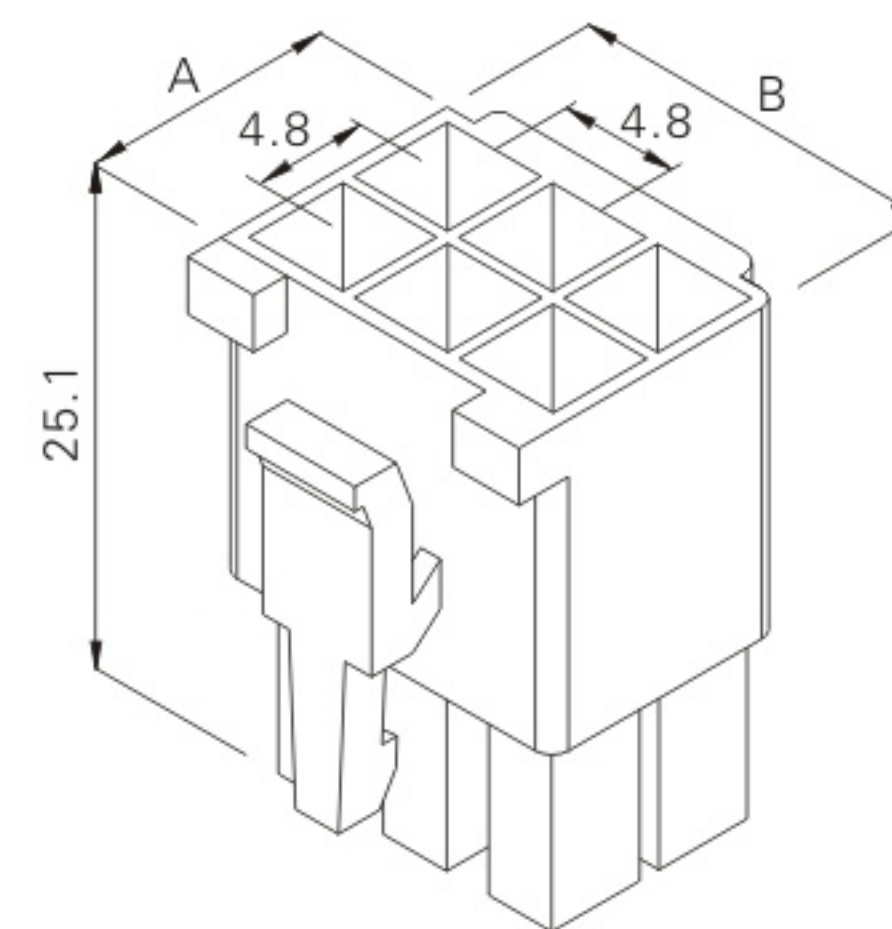
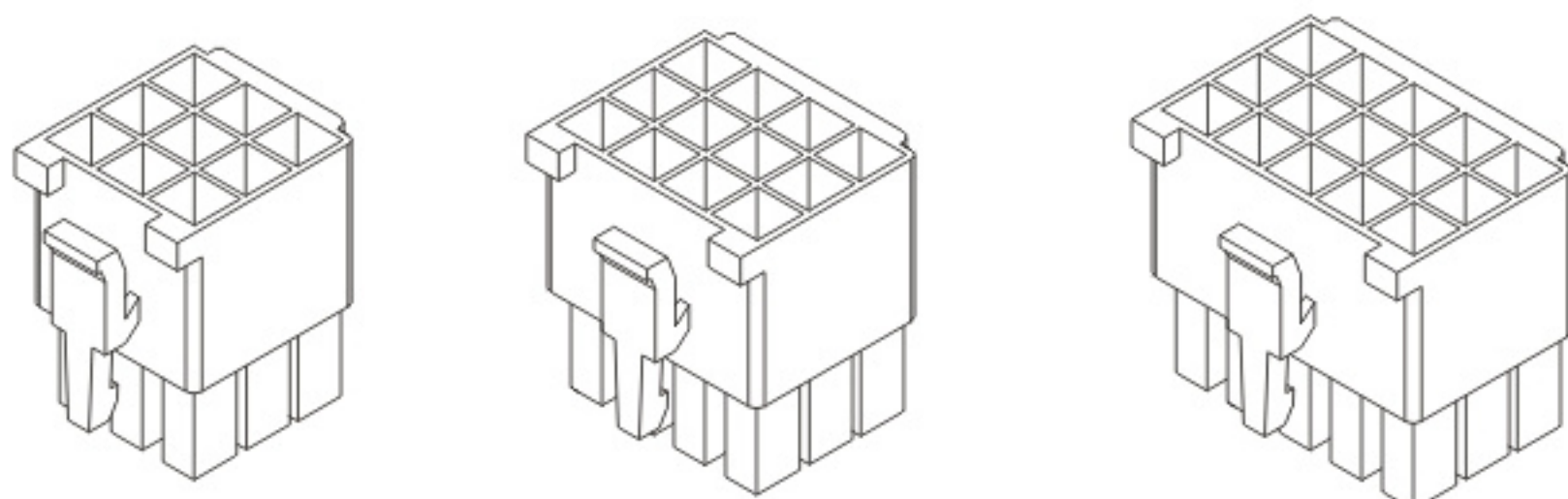
\* Mates With: E158 series Terminal

\* Mates With: E058-A series Housing

E158-02A E158-03A E158-04A E158H-06A(2X3)



E158H-09A(3X3) E158H-12A(3X4) E158H-15A(3X5)



### Ordering Information & Dimensions

Circuits	Part No.	DIM.(mm)	
		A	B
02	E158H-02A(1X2)	7.2	12.0
03	E158H-03A(1X3)	7.2	16.8
04	E158H-04A(1X4)	7.2	21.6
06	E158H-06A(2X3)	12.0	16.8
09	E158H-09A(3X3)	16.8	16.8
12	E158H-12A(3X4)	16.8	21.6
15	E158H-15A(3X5)	16.8	26.4