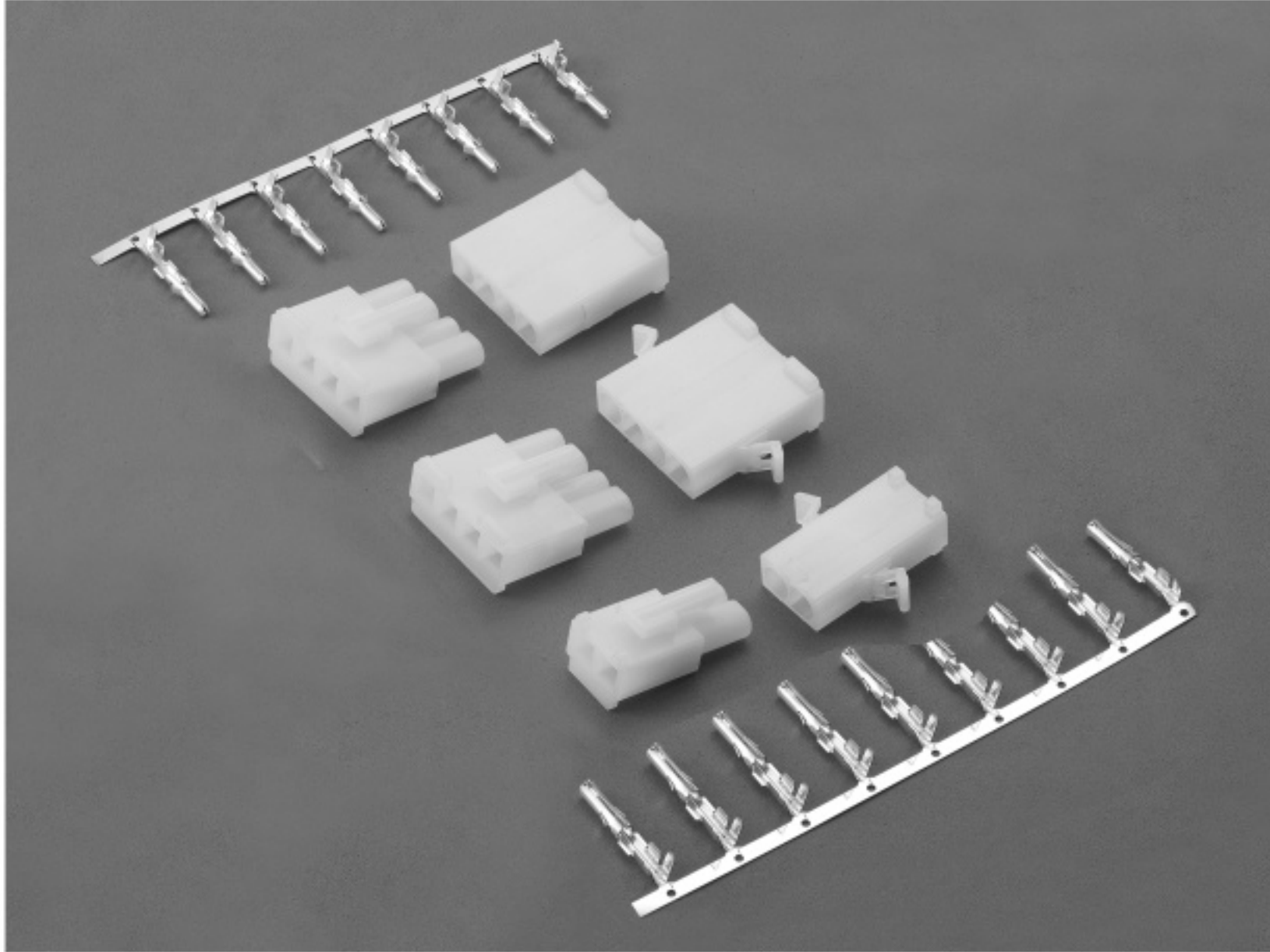


E123H-A/E023H-A E123H-A/E023H-S SERIES 5.03/6.70mm PITCH WIRE TO WIRE CONNECTOR



Specifications

Current rating: 4.5A AC,DC

Voltage rating: 250V AC,DC

Temperature range: -25°C to +85°C
(including temperature rise)

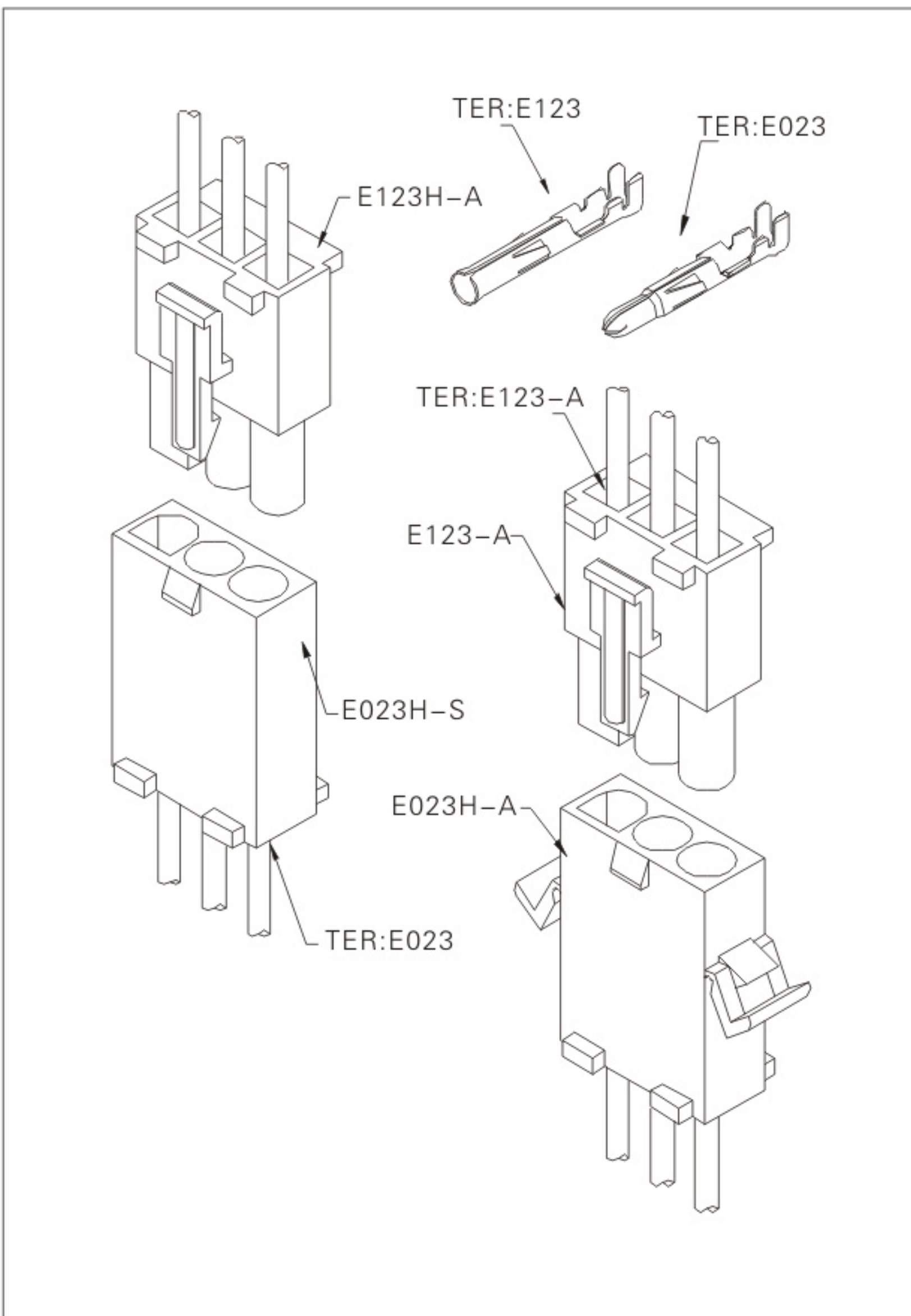
Contact resistance: Initial value/ 10m Ω Max.
After environmental testing/20m Ω Max.

Insulation resistance: 500 M Ω Min.

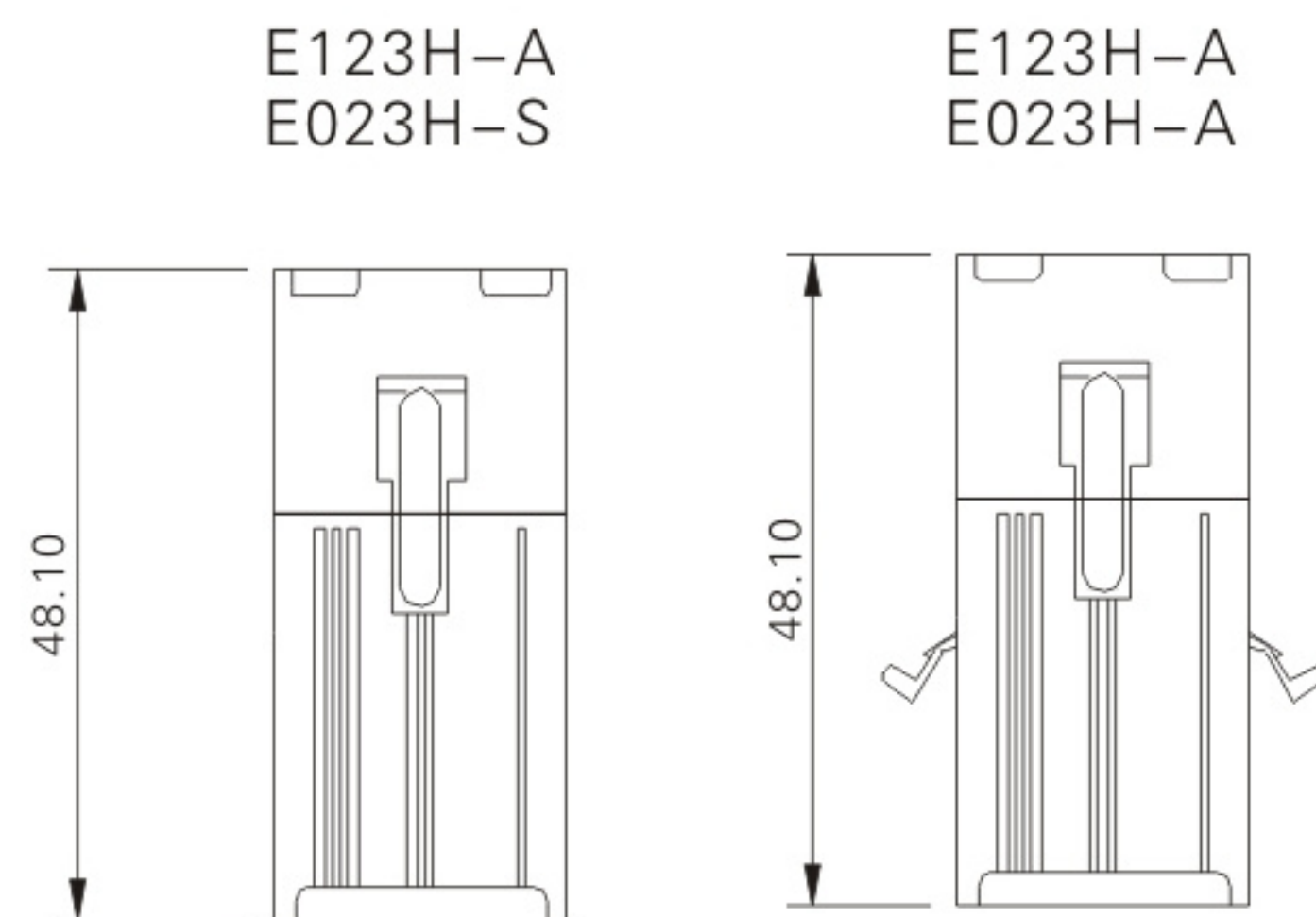
Withstanding voltage: 1500V AC/minute

Applicable wire: T1: AWG#14-#20

T2: AWG#18-#22



Assembly layout



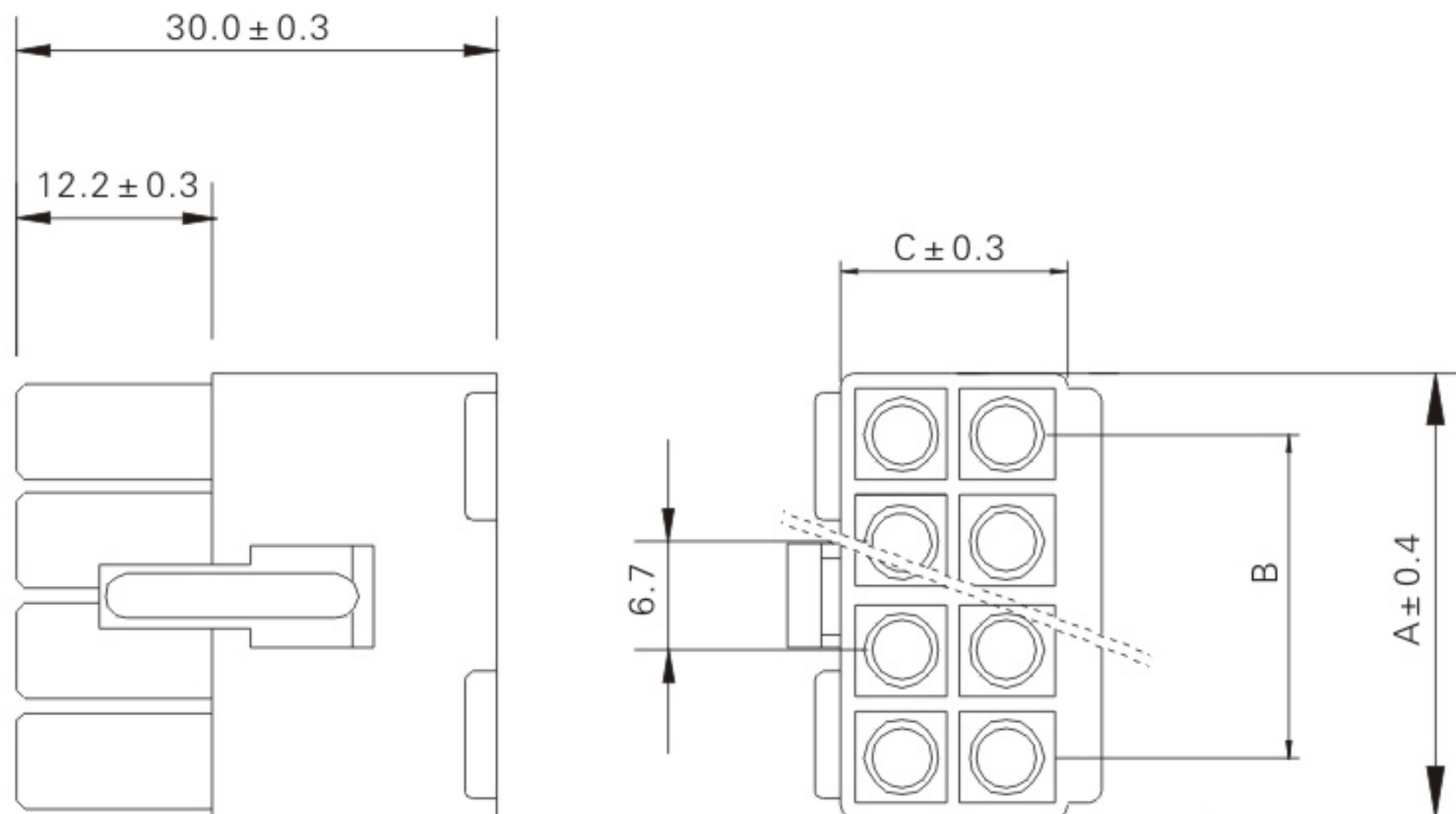
WIRE TO WIRE

E123H-A (6.70mm pitch crimp series housing)

Reference Informations:

*Mat'l: Nylon 66 UL94V-2

*Mates With: E023 & E123 series Terminal



Ordering Information & Dimensions

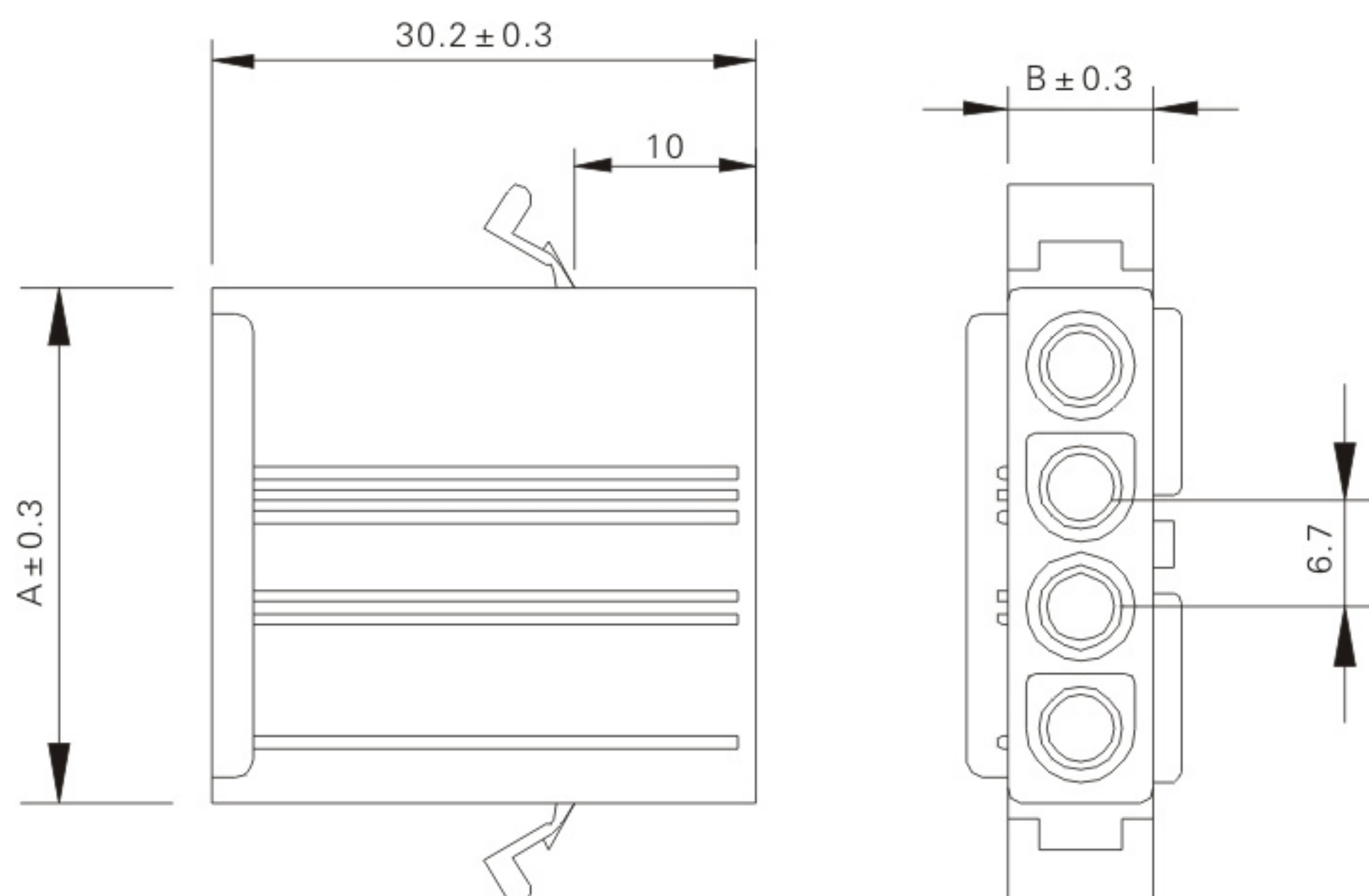
Circuits	Part No.	DIM.(mm)		
		A	B	C
01	E123H-1X1A	7.6	7.6	7.6
02	E123H-1X2A	14.3	6.7	7.6
03	E123H-1X3A	21.2	13.4	7.6
04	E123H-1X4A	28.0	20.1	7.6
04	E123H-2X2A	22.0	13.4	22.3
06	E123H-2X3A	22.0	13.4	22.3
09	E123H-3X3A	28.0	20.1	21.2
12	E123H-3X4A	28.0	20.1	21.2
15	E123H-3X5A	34.7	26.8	21.2

E023H-A (6.70mm pitch crimp series housing)

Reference Informations:

*Mat'l: Nylon 66 UL94V-2

*Mates With: E023 & E123 series Terminal



Ordering Information & Dimensions

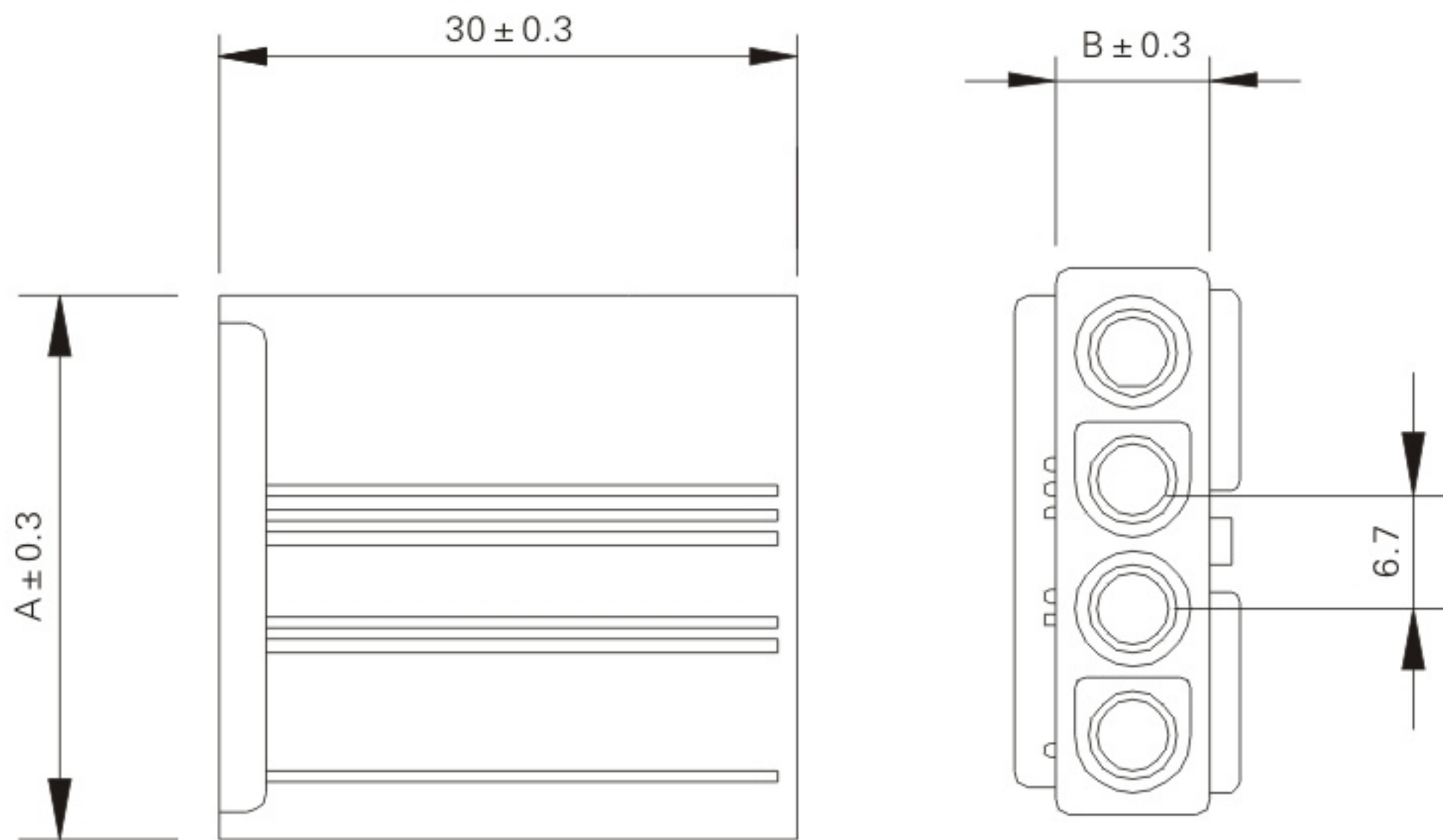
Circuits	Part No.	DIM.(mm)	
		A	B
01	E023H-1X1A	8.0	8.0
02	E023H-1X2A	14.7	8.0
03	E023H-1X3A	21.6	8.0
04	E023H-1X4A	28.4	8.0
06	E023H-2X3A	21.6	15.0
09	E023H-3X3A	21.6	21.6
12	E023H-3X4A	28.4	21.6
15	E023H-3X5A	35.2	21.6

E023H-S (6.70mm pitch crimp series housing)

Reference Informations:

*Mat'l: Nylon 66 UL94V-2

*Mates With: E023 & E123 series Terminal



Ordering Information & Dimensions

Circuits	Part No.	DIM.(mm)	
		A	B
01	E023H-1X1S	8.0	8.0
02	E023H-1X2S	14.7	8.0
03	E023H-1X3S	21.6	8.0
04	E023H-1X4S	28.4	8.0
06	E023H-2X3S	21.6	15.0
09	E023H-3X3S	21.6	21.6
12	E023H-3X4S	28.4	21.6
15	E023H-3X5S	35.2	21.6