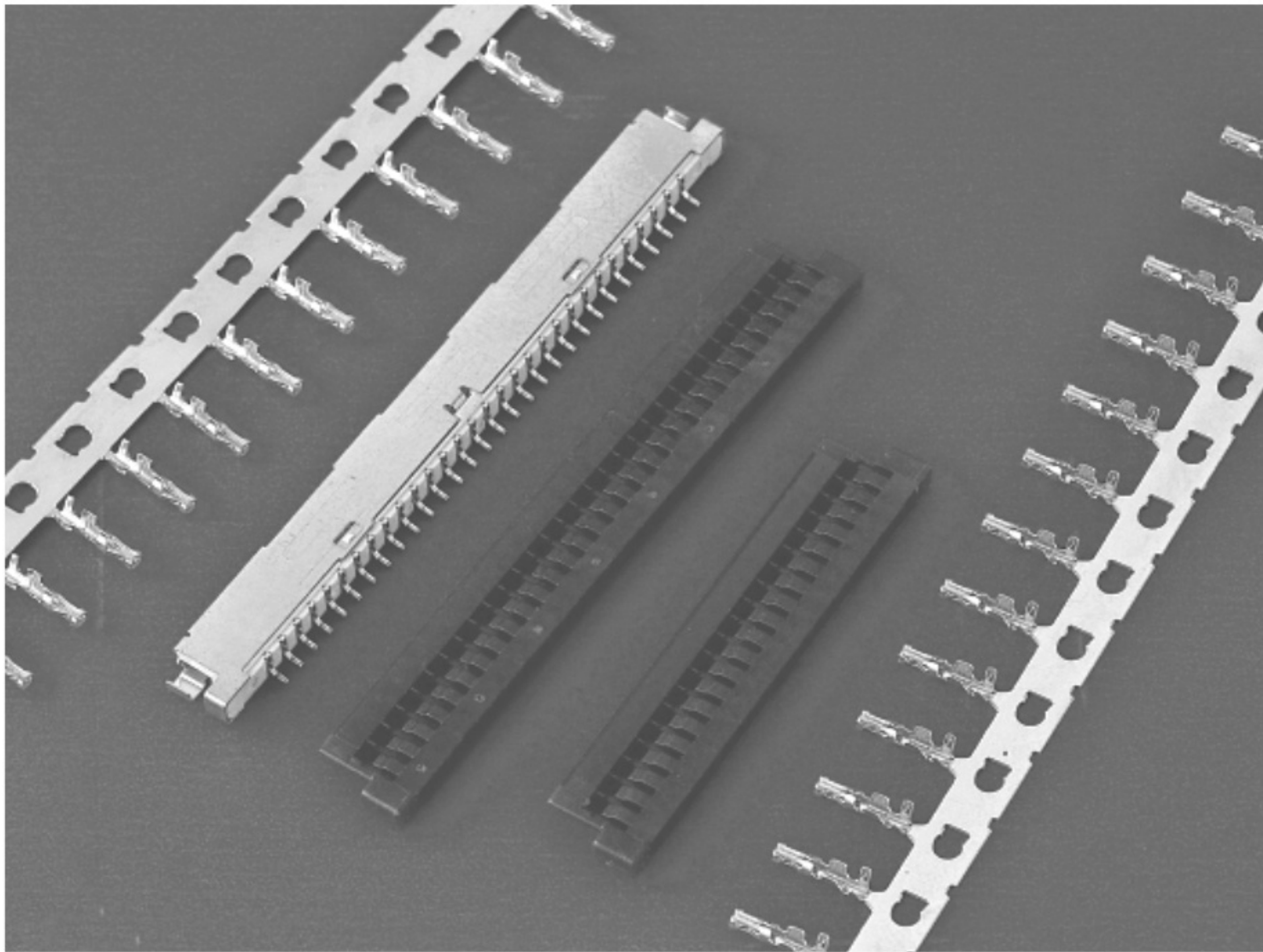


F001H SERIES

1.25mm PITCH WIRE TO BOARD CONNECTOR



Specifications

Current rating: 1A AC,DC

Voltage rating: 50V AC,DC

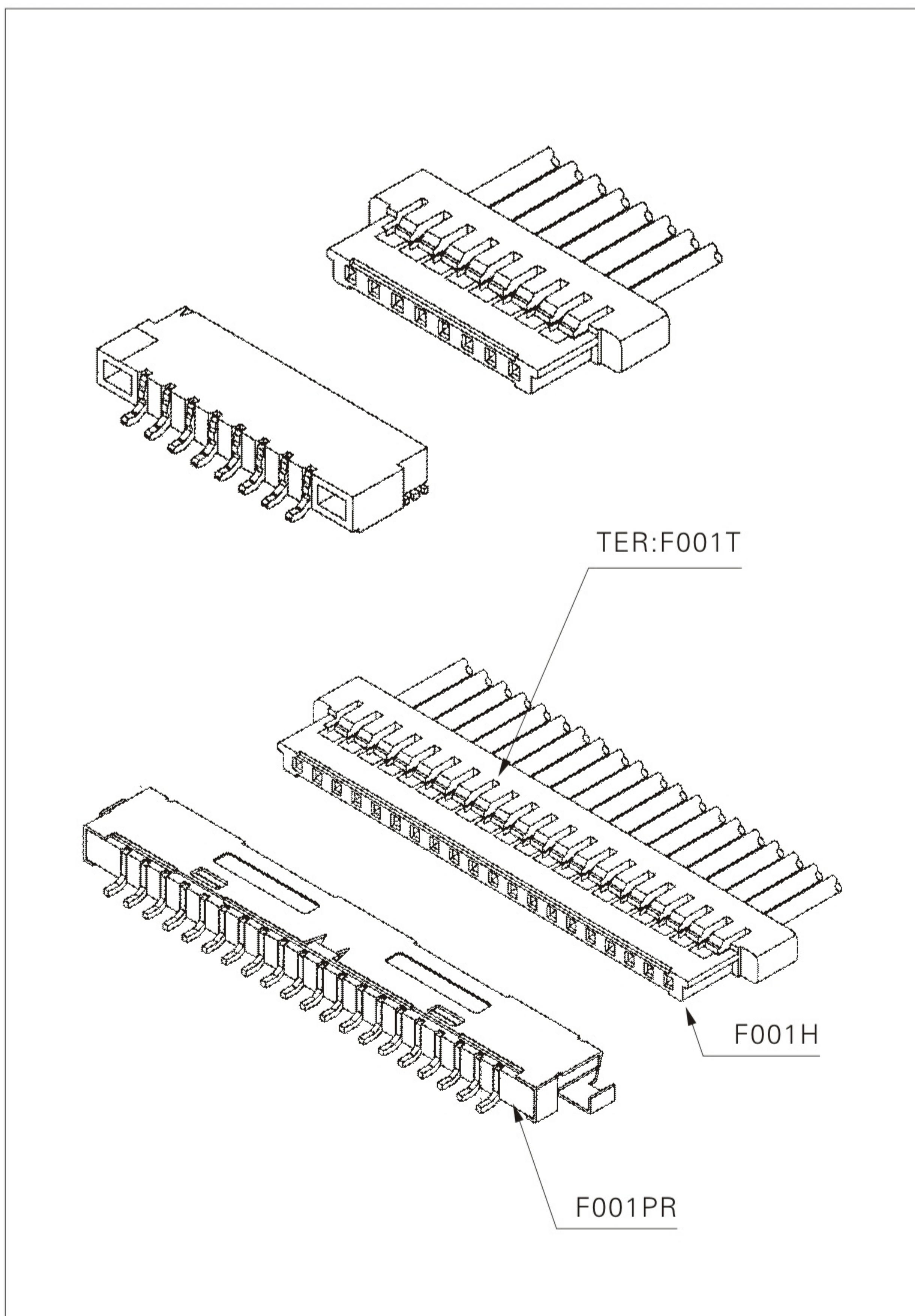
Temperature range: -25°C~+85°C

Contact resistance: 20mΩ Max.

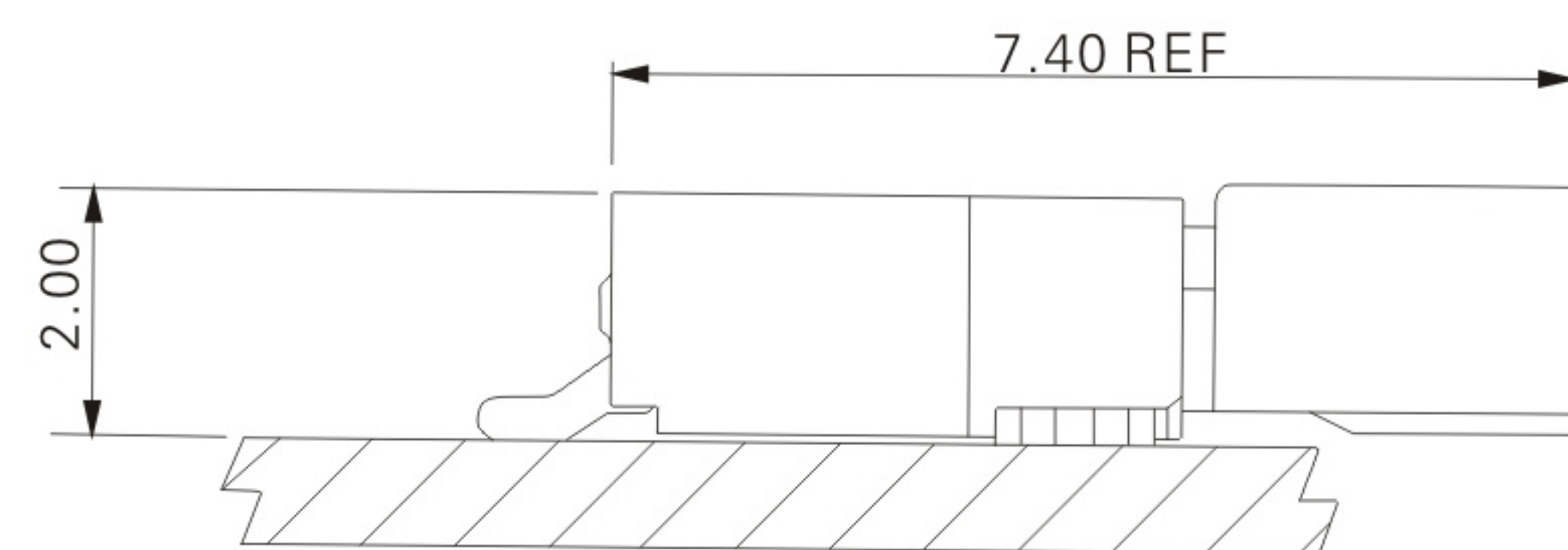
Insulation resistance: 100MΩ Min.

Withstanding voltage: 500V AC/minute

Applicable wire: AWG#28-#32



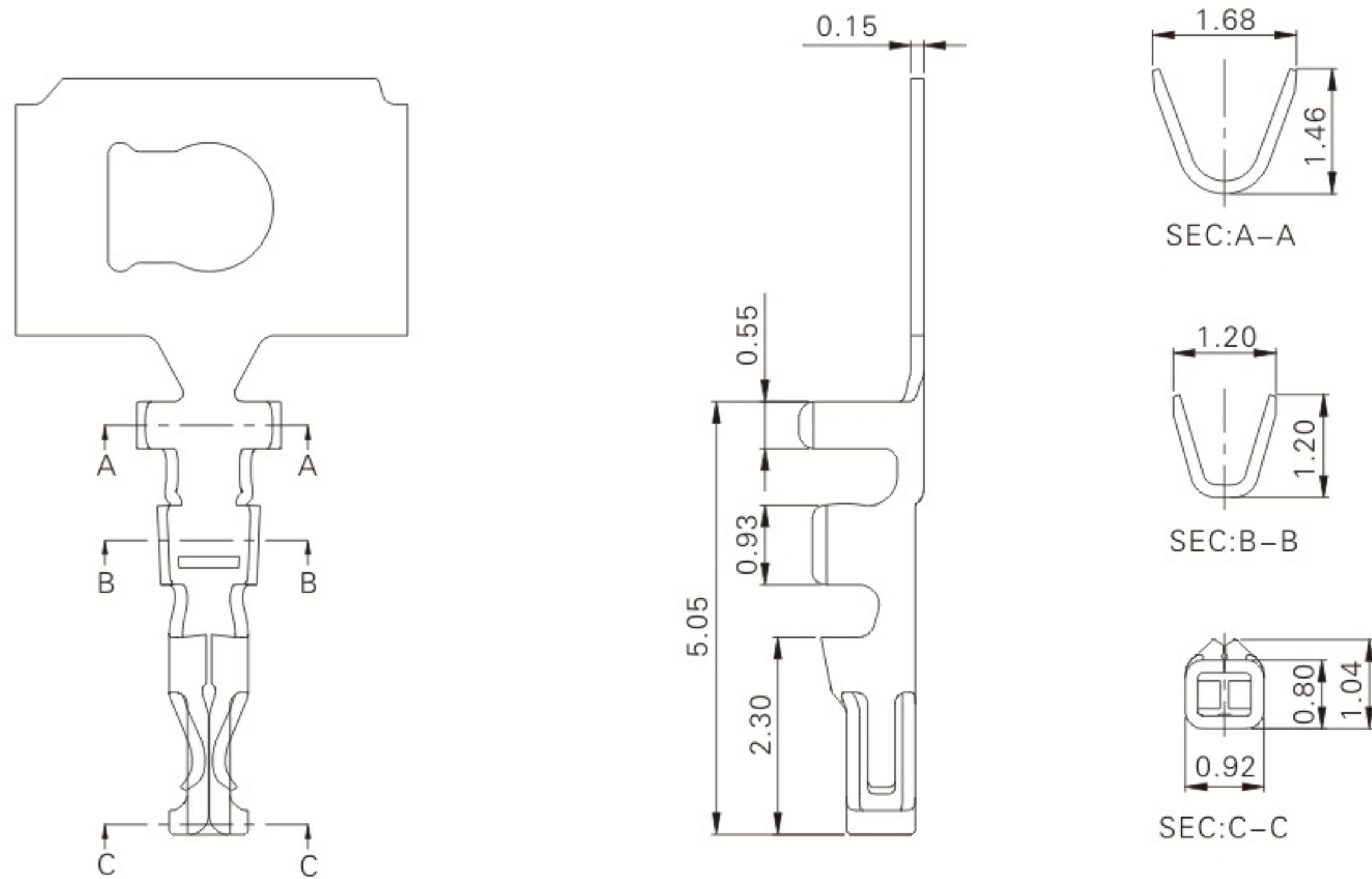
Assembly layout



F001-T (1.25mm pitch crimp terminal)

Reference Informations:

*Used in F001H series Housing



Ordering Information & Specifications

Unit: mm

Part No.	Wire Range	Insulation O.D.	Material	Finish	Qty/reel
F001P-2	AWG#28-#32	1.2mm(max)	Phosphor Bronze	TIN-Plated	15.000pcs
F001P-00				Gold-flash	

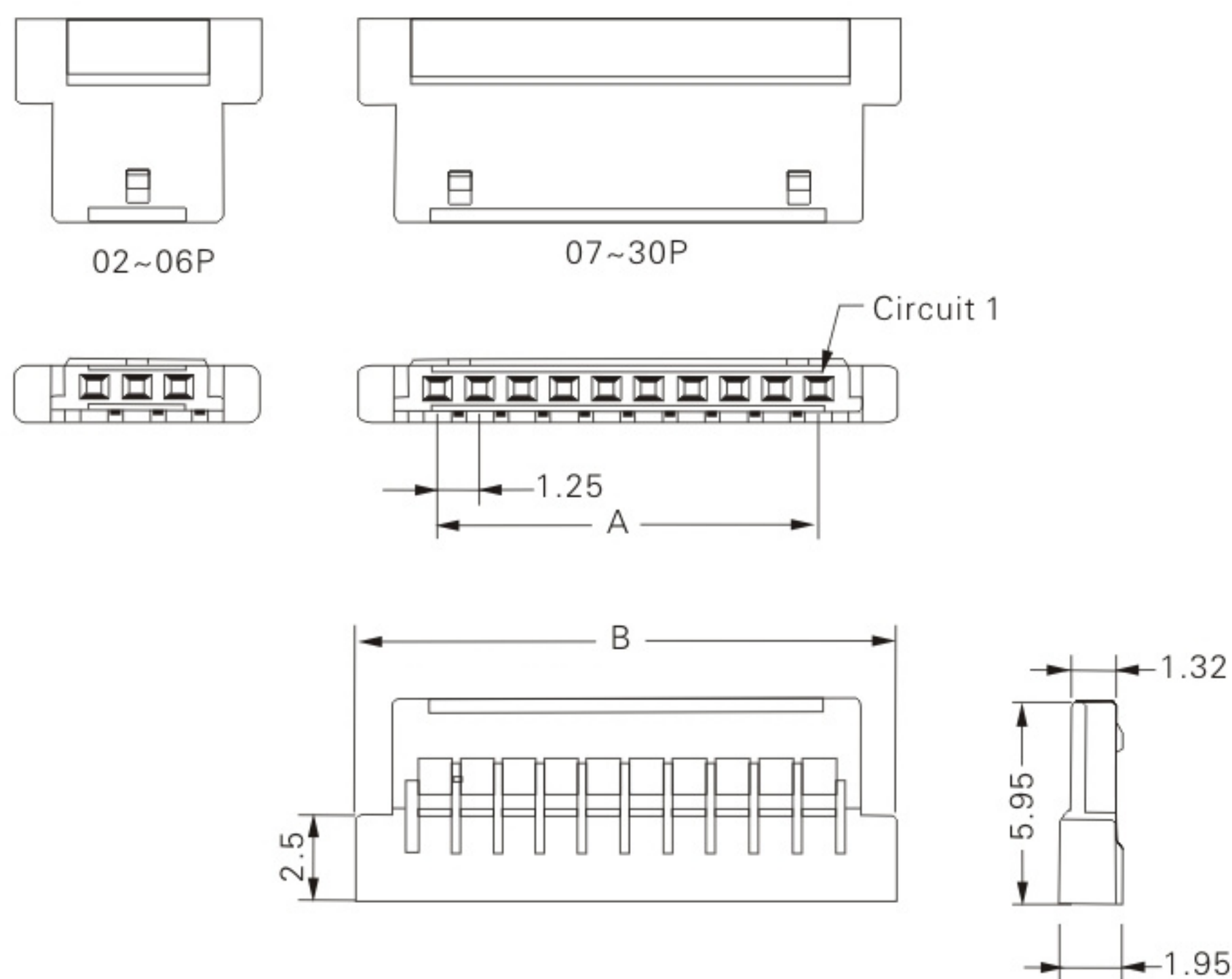
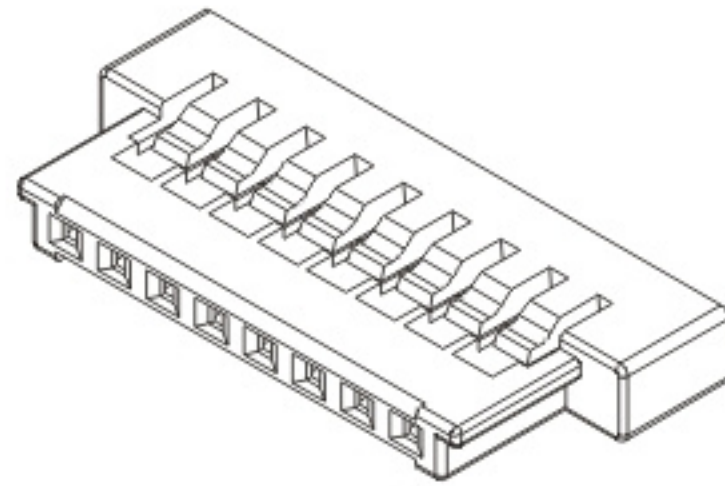
F001H-NP (1.25mm pitch crimp housing)

Reference Informations:

*Material: Nylon 66, UL94V-0 (Black)

*Suitable F001-T series Terminal

*Mates with F001PR series Wafer



Ordering Information & Dimensions

Circuits	Part No.	DIM.(mm)	
		A	B
02	F001H-02P	1.25	6.00
03	F001H-03P	2.50	7.25
04	F001H-04P	3.75	8.50
05	F001H-05P	5.00	9.75
06	F001H-06P	6.25	11.00
07	F001H-07P	7.50	12.25
08	F001H-08P	8.75	13.50
09	F001H-09P	10.00	14.75
10	F001H-10P	11.25	16.00
11	F001H-11P	12.50	17.25
12	F001H-12P	13.75	18.50
13	F001H-13P	15.00	19.75
14	F001H-14P	16.25	21.00
15	F001H-15P	17.50	22.25
20	F001H-20P	23.75	28.00
25	F001H-25P	30.00	34.75
30	F001H-30P	36.25	41.00

F001PR-NP-SMT (1.25mm pitch 90° wafer-SMT TYPE)

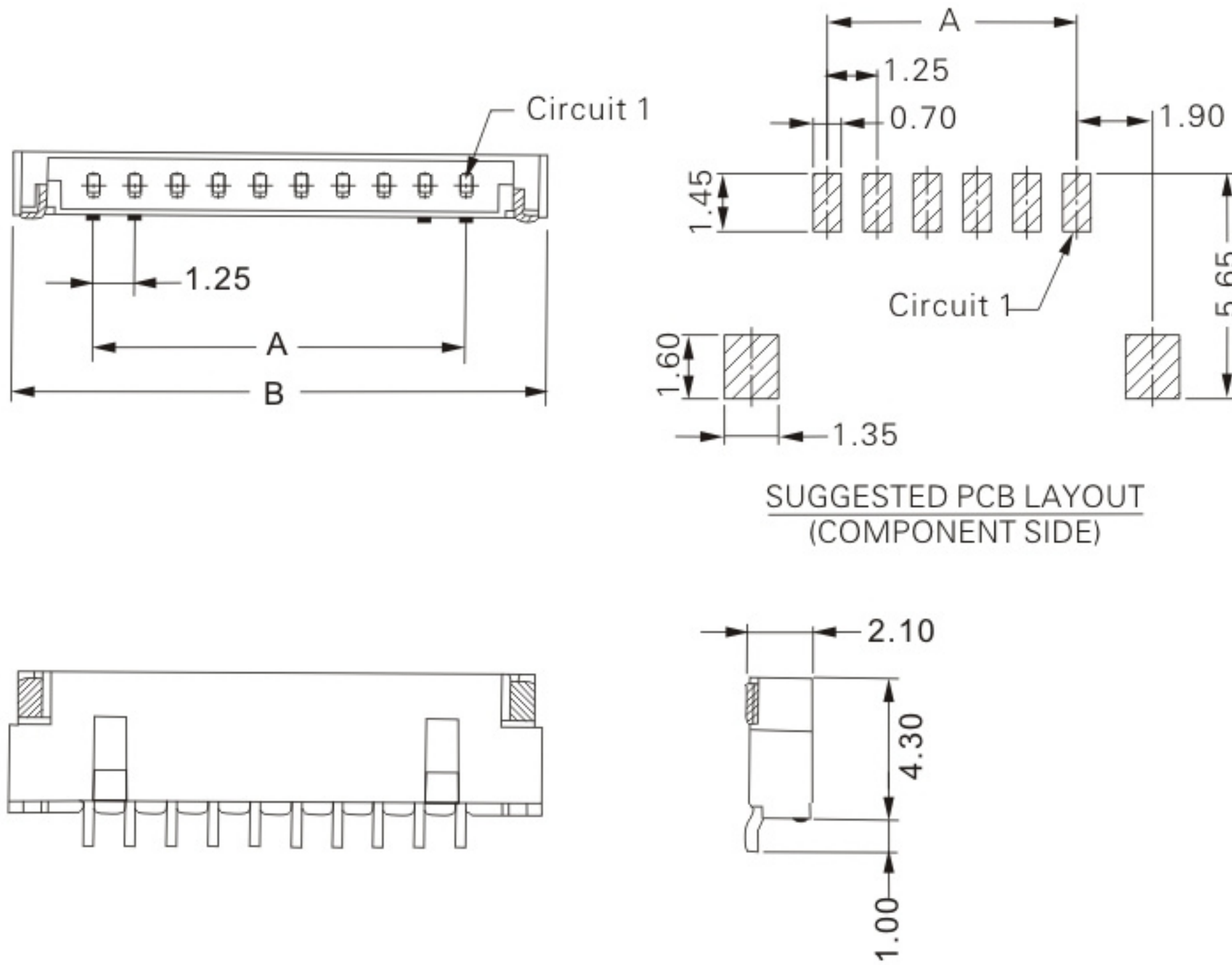
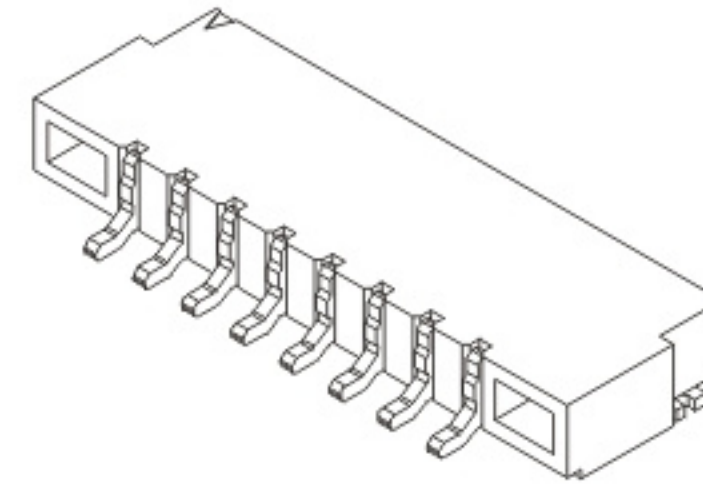
Reference Informations:

*Material: Pin:

Solder Tabs:

Wafer: Nylon 6T,UL94V-0

*Mates with F001H series Housing



Ordering Information & Dimensions

Circuits	Part No.	DIM.(mm)	
		A	B
02	F001PR-02P-SMT	1.25	6.10
03	F001PR-03P-SMT	2.50	7.35
04	F001PR-04P-SMT	3.75	8.60
05	F001PR-05P-SMT	5.00	9.85
06	F001PR-06P-SMT	6.25	11.10
08	F001PR-08P-SMT	8.75	13.60
10	F001PR-10P-SMT	11.25	16.10
15	F001PR-15P-SMT	17.50	22.35
20	F001PR-20P-SMT	23.75	28.60
25	F001PR-25P-SMT	30.00	34.85
30	F001PR-30P-SMT	36.25	41.10