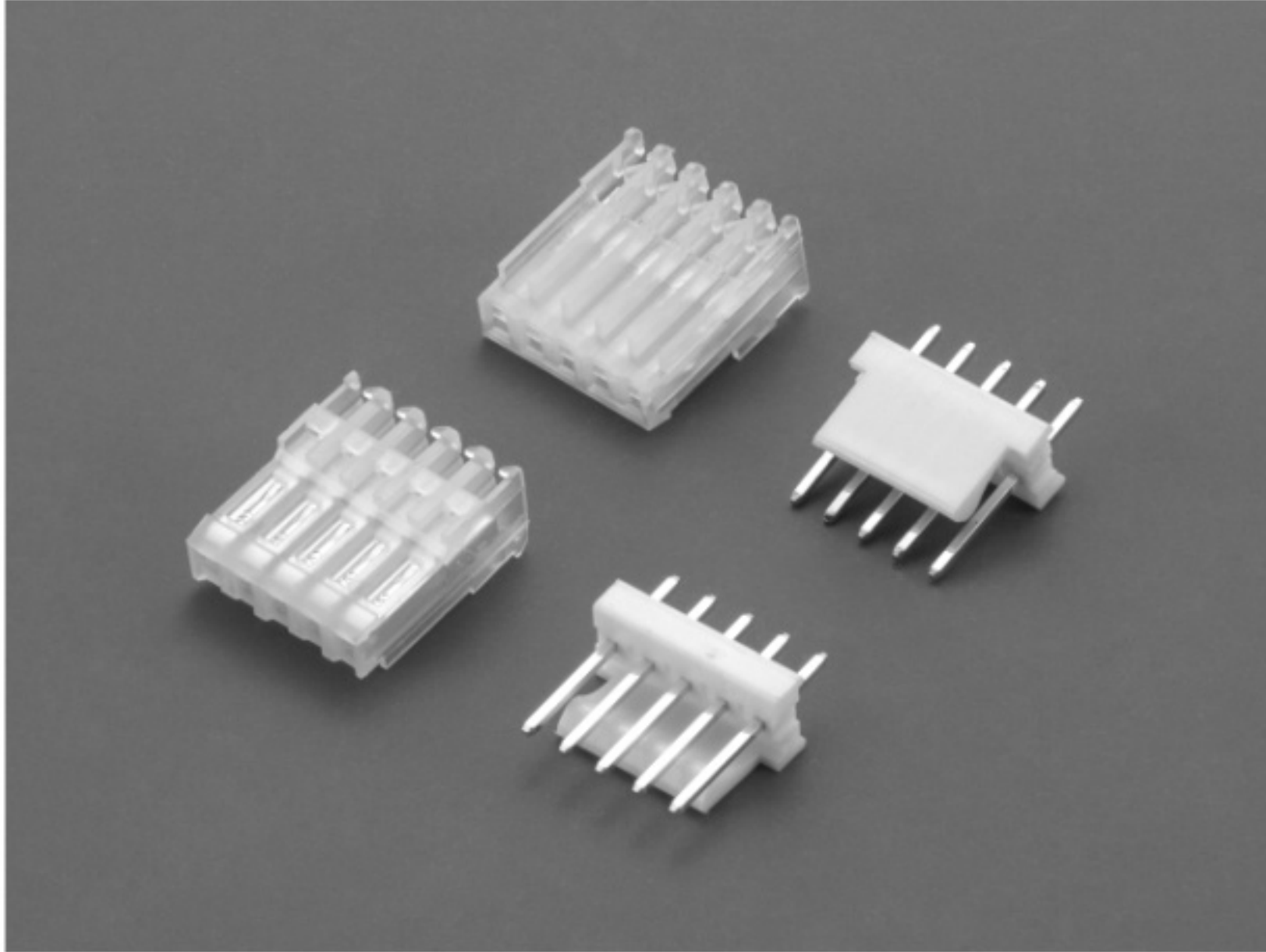


S2540 SERIES

2.54mm PITCH IDC WIRE TO BOARD CONNECTOR



Specifications

Current rating: 3A AC,DC

Voltage rating: 250V AC,DC

Temperature range: -25°C to +85°C
(including temperature rise)

Contact resistance: 20mΩ Max.

Insulation resistance: 1000MΩ Min.

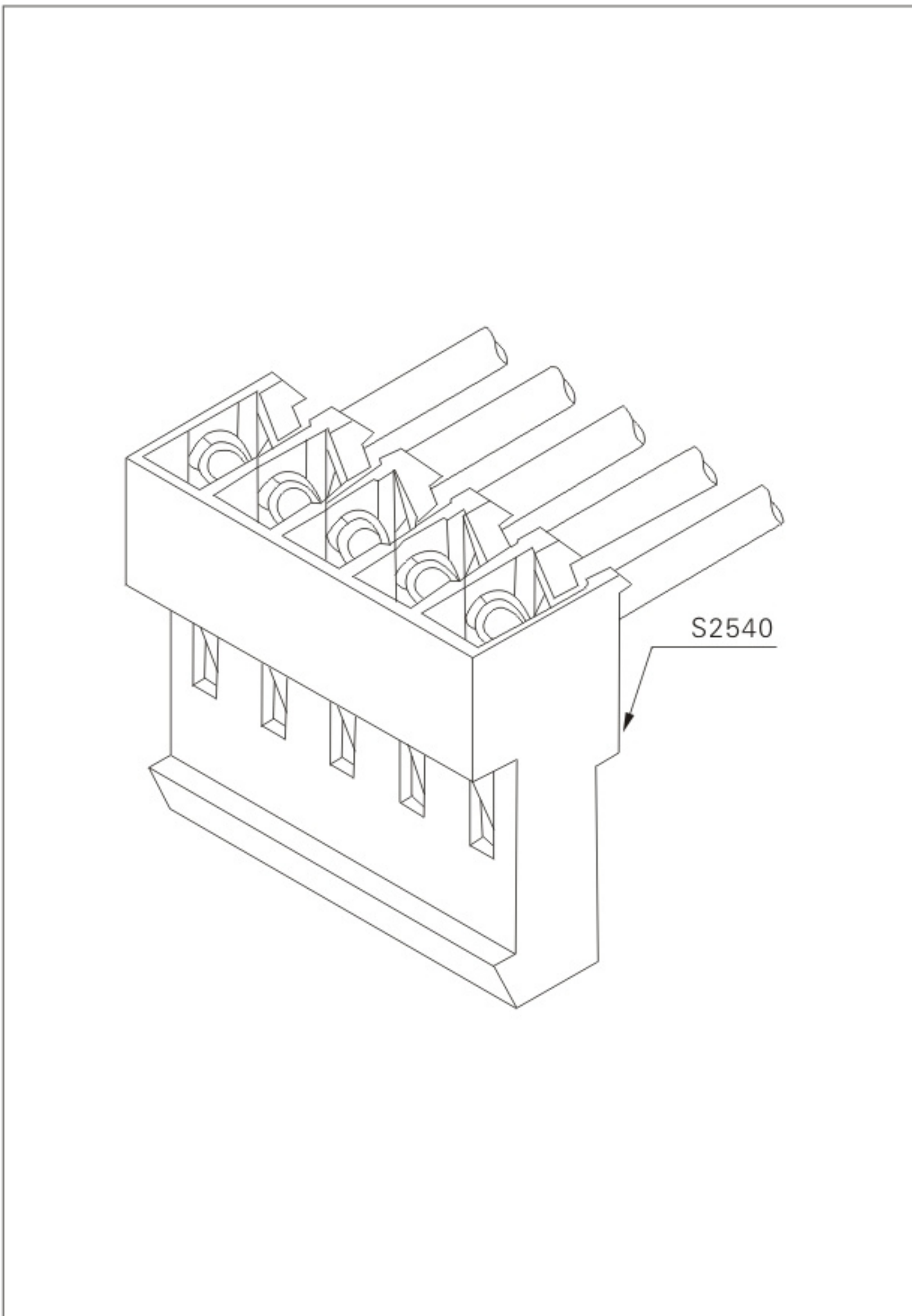
Withstanding voltage: 1500V AC/minute

Applicable wire: A : AWG#22

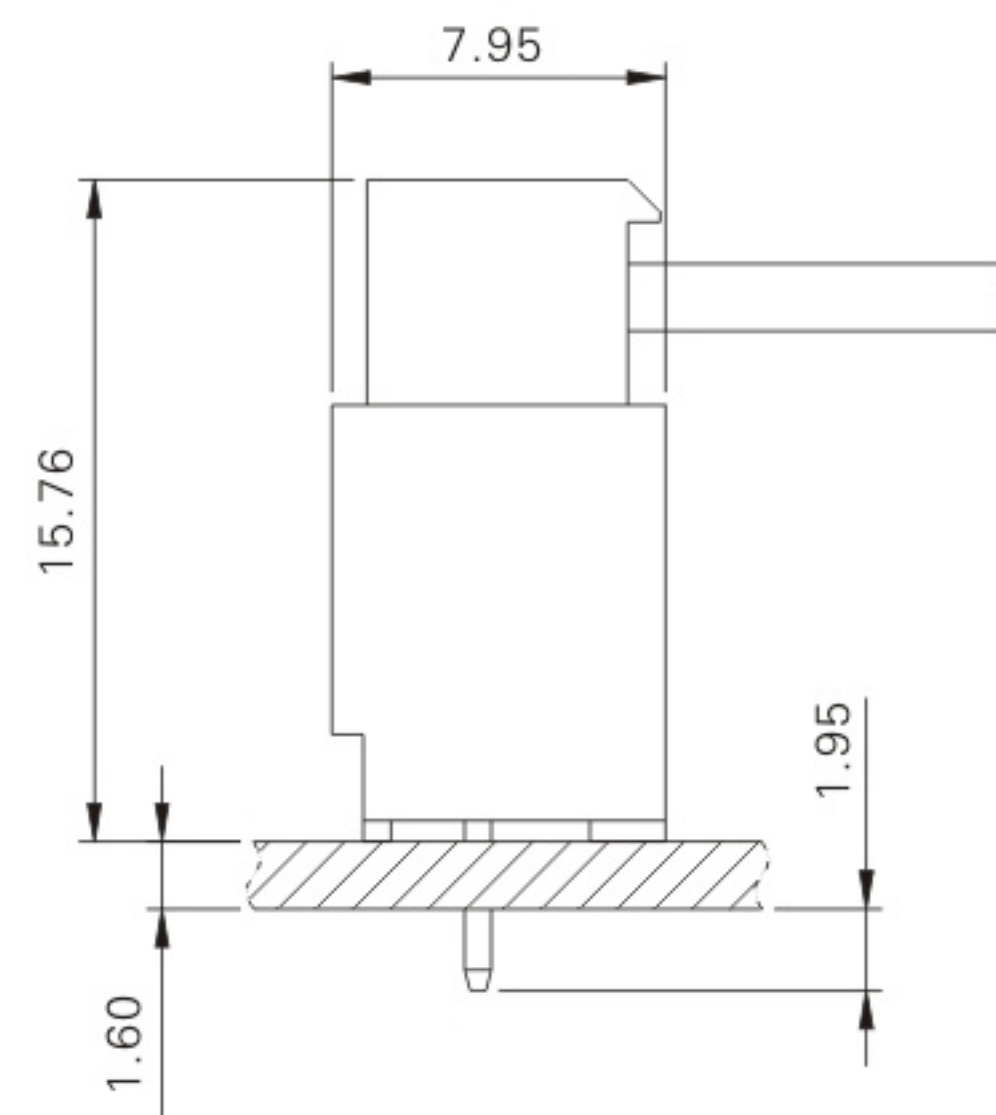
B: AWG#24

C: AWG#26

D: AWG#28



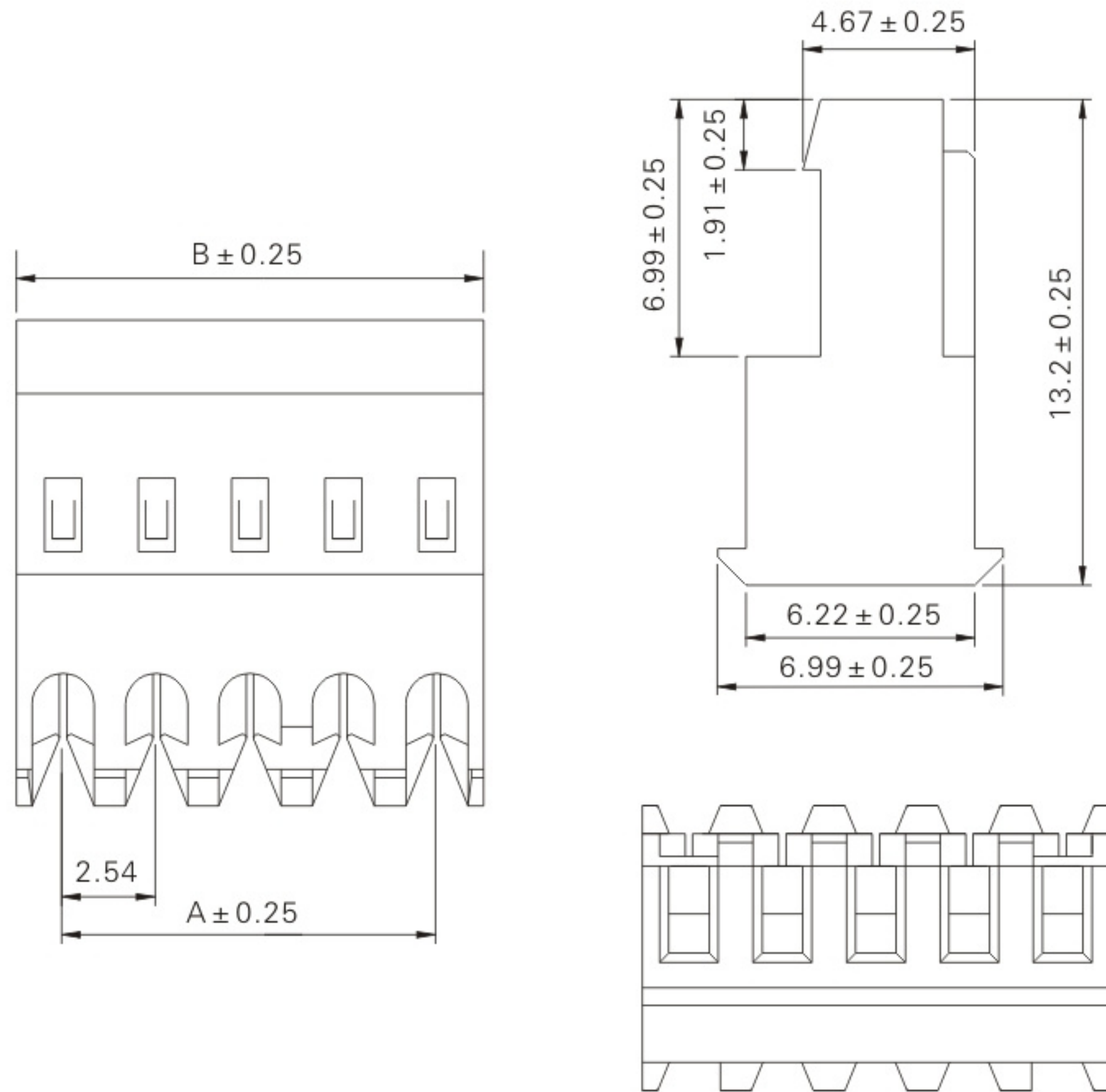
Assembly layout



S2540-NP (2.54mm pitch IDC closed end type connector)

Reference Informations:

*Material: Nylon 66,UL94V-2



Ordering Information & Dimensions

Circuits	Part No.	DIM.(mm)	
		A	B
02	S2540-02P	2.54	5.08
03	S2540-03P	5.08	7.62
04	S2540-04P	7.62	10.16
05	S2540-05P	10.16	12.70
06	S2540-06P	12.70	15.24
07	S2540-07P	15.24	17.78
08	S2540-08P	17.78	20.32
09	S2540-09P	20.32	22.86
10	S2540-10P	22.86	25.40
11	S2540-11P	25.40	27.94
12	S2540-12P	27.94	30.48
13	S2540-13P	30.48	33.02
14	S2540-14P	33.02	35.56
15	S2540-15P	35.56	38.10
16	S2540-16P	38.10	40.64
17	S2540-17P	40.64	43.18
18	S2540-18P	43.18	45.72
19	S2540-19P	45.72	48.26
20	S2540-20P	48.26	50.80